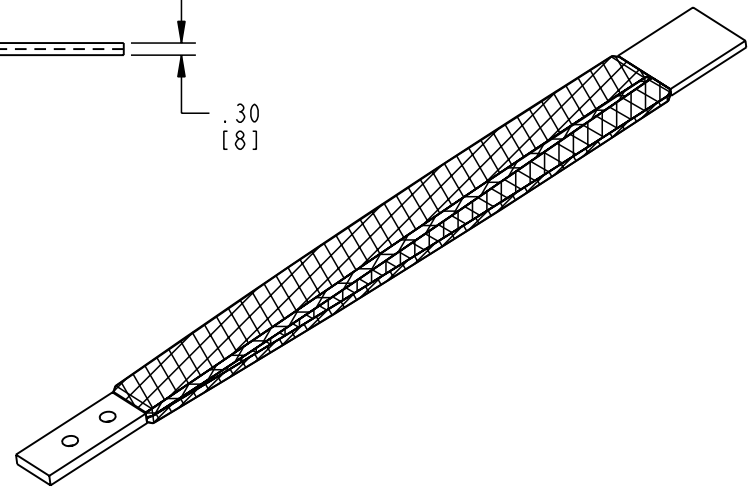
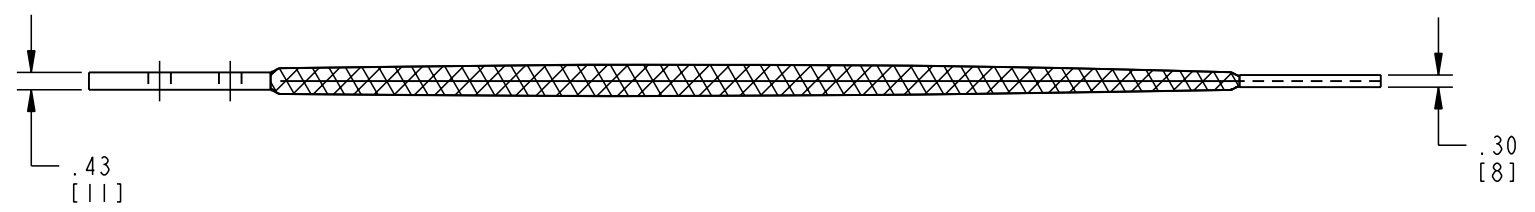
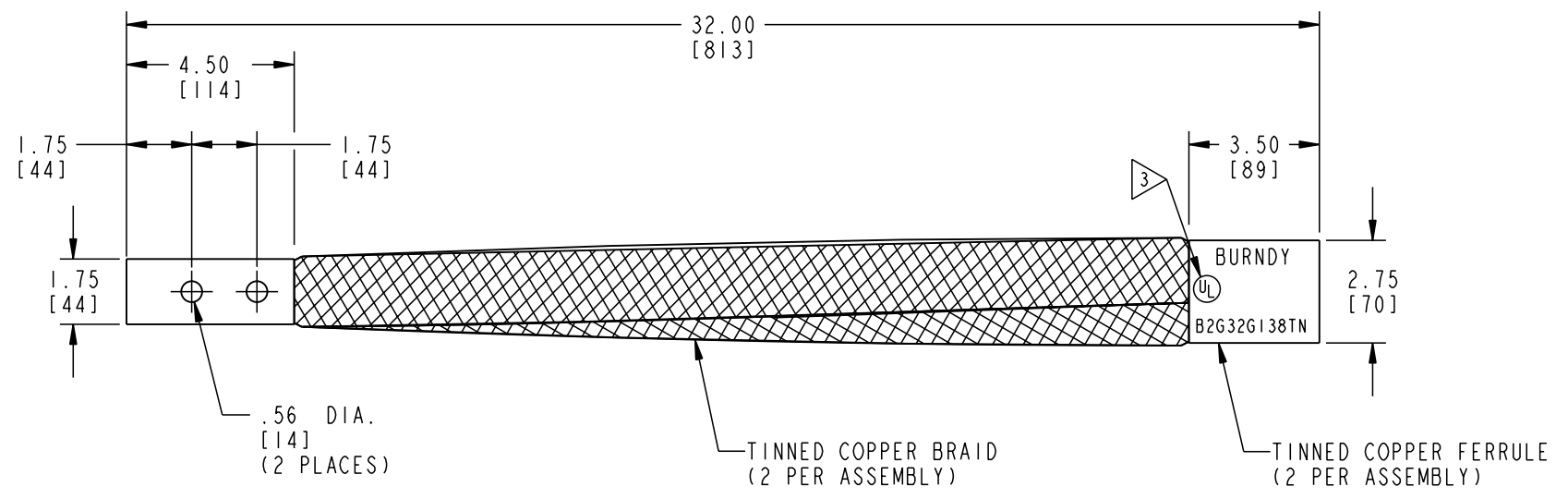


DRAWING NO.
10110824

REV	DATE	DESCRIPTION	ECO	BY	C'H'K.
A	2/9/2010 1:24:00 PM	DRAWING RELEASED	20161	RLB	JP



NOTES:

1. DIMENSIONS IN BRACKETS [] ARE IN MILLIMETERS ROUNDED OFF TO THE NEAREST MILLIMETER. UNLESS OTHERWISE SPECIFIED. AND ARE FOR REFERENCE ONLY.
 2. APPROXIMATE AMP RATING: 700 INDOOR, 840 OUTDOOR
THIS MAY VARY WITH AMBIENT CONDITIONS, ORIENTATION OF THE BRAID AND OTHER SERVICE CONDITIONS.
- 3 'UL' SYMBOL FOR INTERNAL SPECIFICATION L4219, LOCATION AND SIZE TO BE DETERMINED BY MANUFACTURING.

REV: PED200

TO ORDER BURNDY® PRODUCTS CALL		BRAID	
UNITED STATES: 1-800-346-4175 (LONDONDERRY, NH)		ITEM NO: 10109609	
CANADA: 1-800-361-6975 (QUEBEC) 1-800-387-6487 (ALL OTHER PROVINCES)		CAT. NO: B2G32G138TN	
FOR PRODUCT INFO: http://www.burndy.com		DRAWN BY: AUGUSTIN 12/12/09	
		CHECKER: J. PARKER 02/09/10	
		DSN APPVL: J. PARKER 01/26/10	
		MFG APPVL: C. MARTINEZ 02/02/10	
		QA APPVL: J. BRODEUR 02/01/10	
		MKT APPVL: P. THERRIEN 01/26/10	
		SCALE: 0.500	
		PROD FAM: --	DRAWING NO
		PROJECT #: --	REV
		DOCUMENT TYPE: Sales	10110824
		REL LEVEL: Released	A
		SIZE	
		C	
		SHEET 1 OF 1	