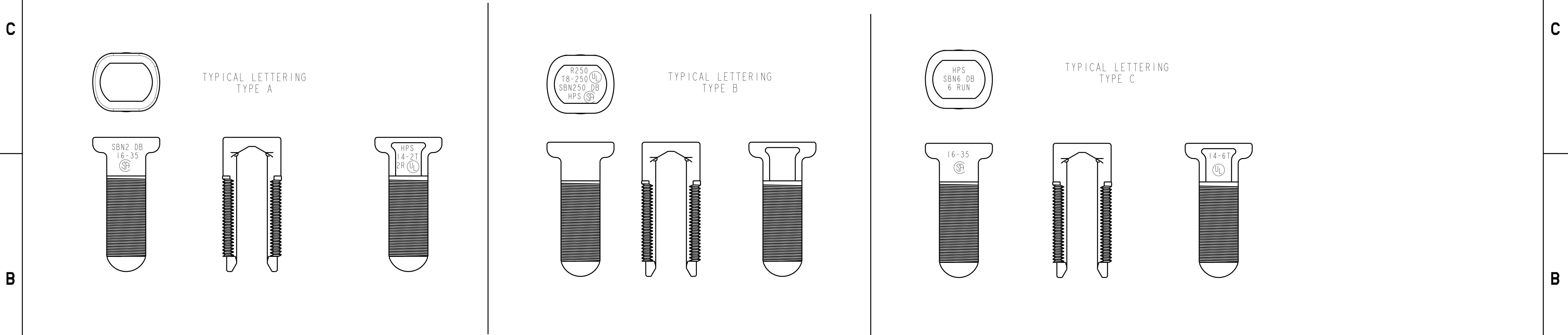
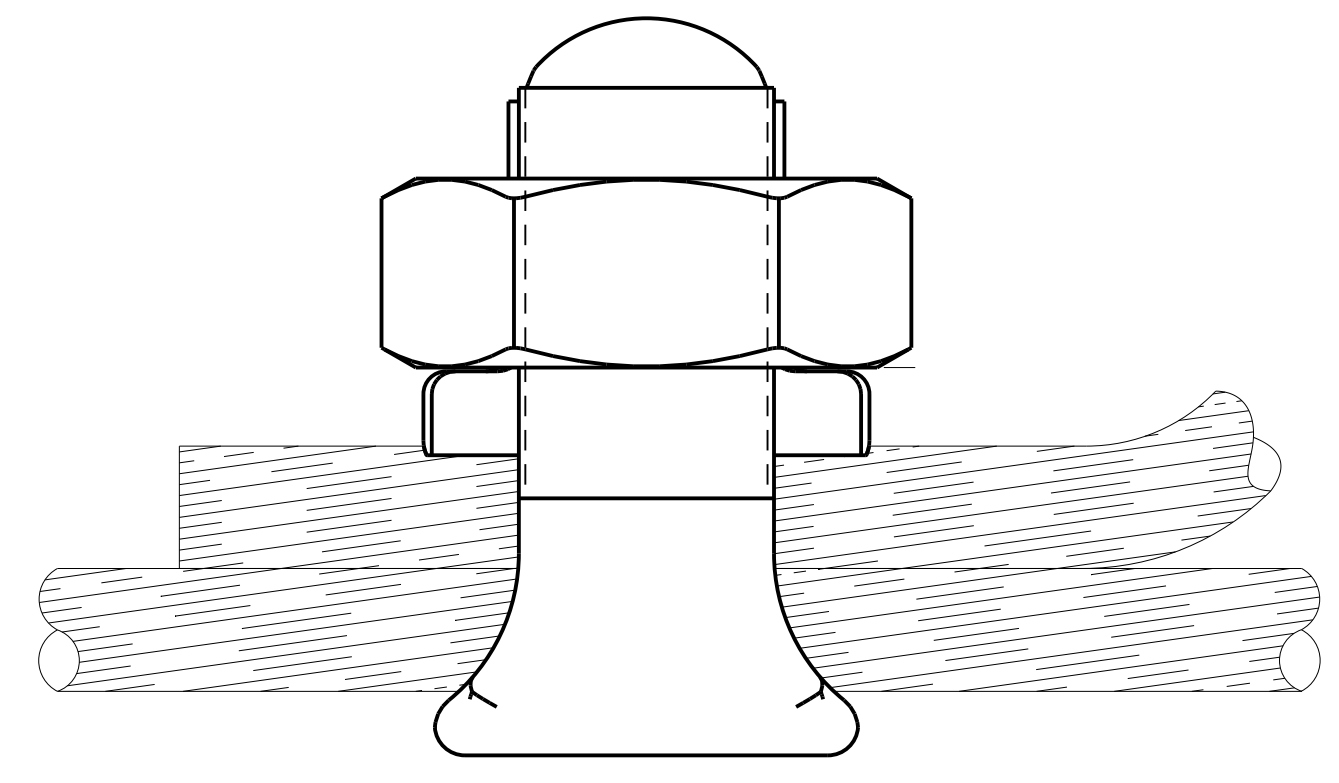


| CATALOG NUMBER | AWG | | | | CATALOG NUMBER | METRIC WIRE SIZE | | | | RECOMMENDED TIGHTENING TORQUE IN-LBS [N-m] | LETTERING LOCATOR TYPE |
|----------------|------------------------------------|----------------|------------------|------------------------------------|----------------|------------------------------------|------------------------------|-------------------------------|------------------------------------|--|------------------------|
| | RANGE FOR EQUAL RUN & TAP (COPPER) | | | MINIMUM TAP WITH MAXIMUM CABLE RUN | | RANGE FOR EQUAL RUN & TAP (COPPER) | | | MINIMUM TAP WITH MAXIMUM CABLE RUN | | |
| | MAX. SOLID CONDUCTOR | MINIMUM | MAXIMUM | | | MAX SOLID CONDUCTOR | MINIMUM | MAXIMUM | | | |
| SBN8 | #8 SOL (.129) | #10 STR (.116) | #8 STR (.146) | #14 STR (.073) | SBN8 | 10mm ² SOL [3.2] | 6mm ² STR [3.3] | 10mm ² STR [4.0] | 2.5mm ² STR [2.2] | 80 [9] | C |
| SBN6 | #6 SOL (.162) | #8 STR (.146) | #6 STR (.184) | #14 STR (.073) | SBN6 | 16mm ² SOL [4.0] | 10mm ² STR [4.0] | 10mm ² STR [4.0] | 2.5mm ² STR [2.2] | 165 [18.6] | C |
| SBN4 | #4 SOL (.204) | #8 STR (.146) | #4 STR (.232) | #14 STR (.073) | SBN4 | ----- | 10mm ² STR [4.0] | 16mm ² STR [5.1] | 2.5mm ² STR [2.2] | 165 [18.6] | A |
| SBN2 | #1 SOL (.289) | #6 STR (.184) | #2 STR (.292) | #14 STR (.073) | SBN2 | ----- | 16mm ² STR [5.1] | 35mm ² STR [7.5] | 2.5mm ² STR [2.2] | 275 [31.1] | A |
| SBN10 | 2/0 SOL (.365) | #4 STR (.232) | 1/0 STR (.373) | #14 STR (.073) | SBN10 | ----- | 25mm ² STR [6.3] | 50mm ² STR [9.0] | 2.5mm ² STR [2.2] | 385 [43.5] | A |
| SBN20 | 3/0 SOL (.410) | #2 STR (.292) | 2/0 STR (.418) | #14 STR (.073) | SBN20 | ----- | 35mm ² STR [7.5] | 70mm ² STR [10.5] | 2.5mm ² STR [2.2] | 385 [43.5] | A |
| SBN30 | 4/0 SOL (.460) | #1 STR (.332) | 3/0 STR (.470) | #8 SOL (.129) | SBN30 | ----- | 50mm ² STR [9.0] | 95mm ² STR [12.5] | 10mm ² SOL [3.2] | 500 [56.5] | A |
| SBN250 | 4/0 SOL (.460) | #1 STR (.332) | 250 Kcmil (.575) | #8 STR (.146) | SBN250 | ----- | 50mm ² STR [9.0] | 120mm ² STR [14.0] | 10mm ² STR [4.0] | 650 [73.4] | A |
| SBN350 | ----- | 1/0 STR (.373) | 350 Kcmil (.681) | 1/0 STR (.373) | SBN350 | ----- | 70mm ² STR [10.5] | 185mm ² STR [17.5] | 70mm ² STR [10.5] | 650 [73.4] | B |
| SBN500 | ----- | 2/0 STR (.418) | 500 Kcmil (.814) | 2/0 STR (.418) | SBN500 | ----- | 70mm ² STR [10.5] | 240mm ² STR [20.6] | 70mm ² STR [10.5] | 825 [93.2] | B |

| REV | DATE | DESCRIPTION | ECO | BY | CHK. |
|-----|------------------------|-----------------------|-------|----|------|
| C | 02/28/2017 00:00:00 AM | UPDATED AS PER WARRUP | 46052 | CV | MB |



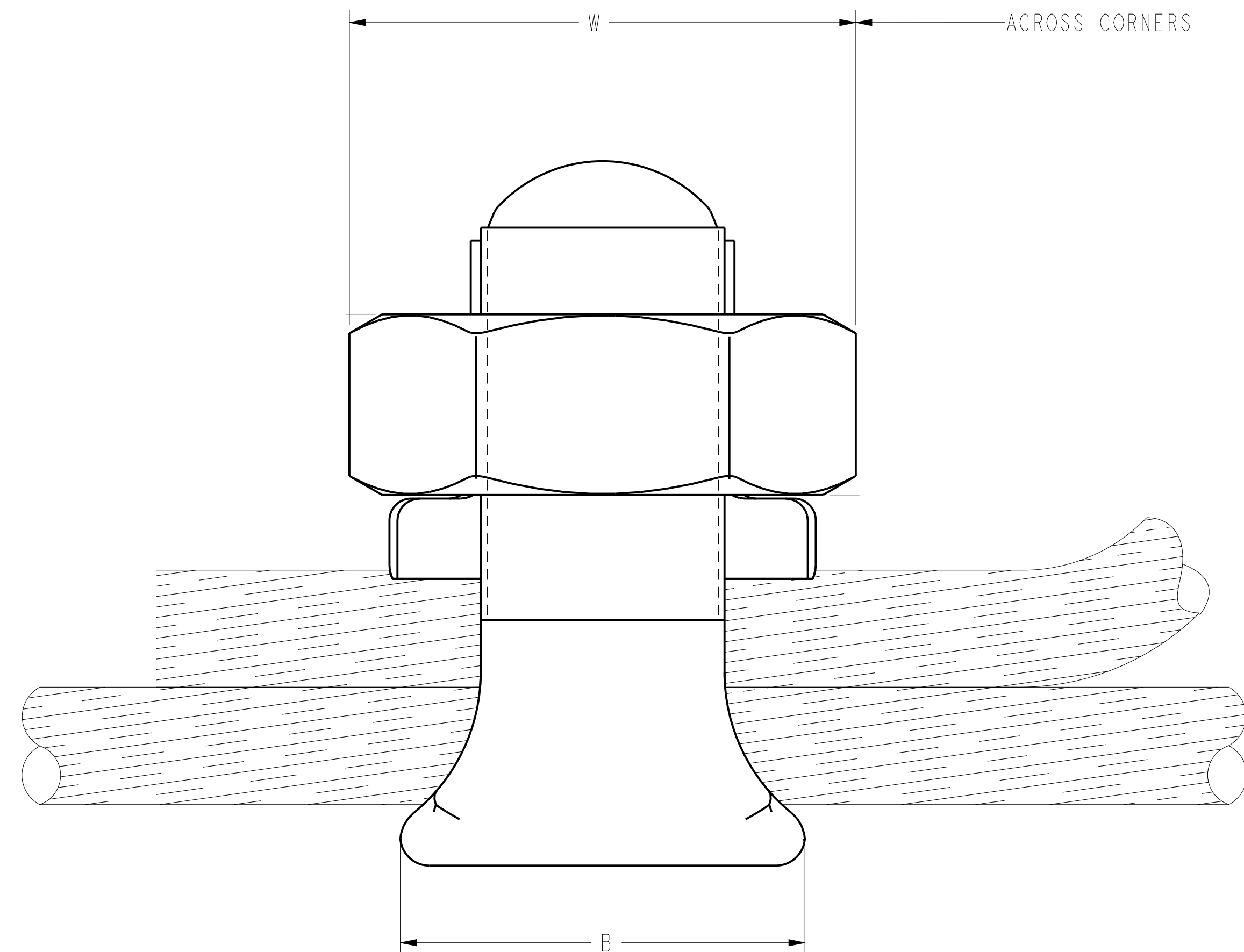
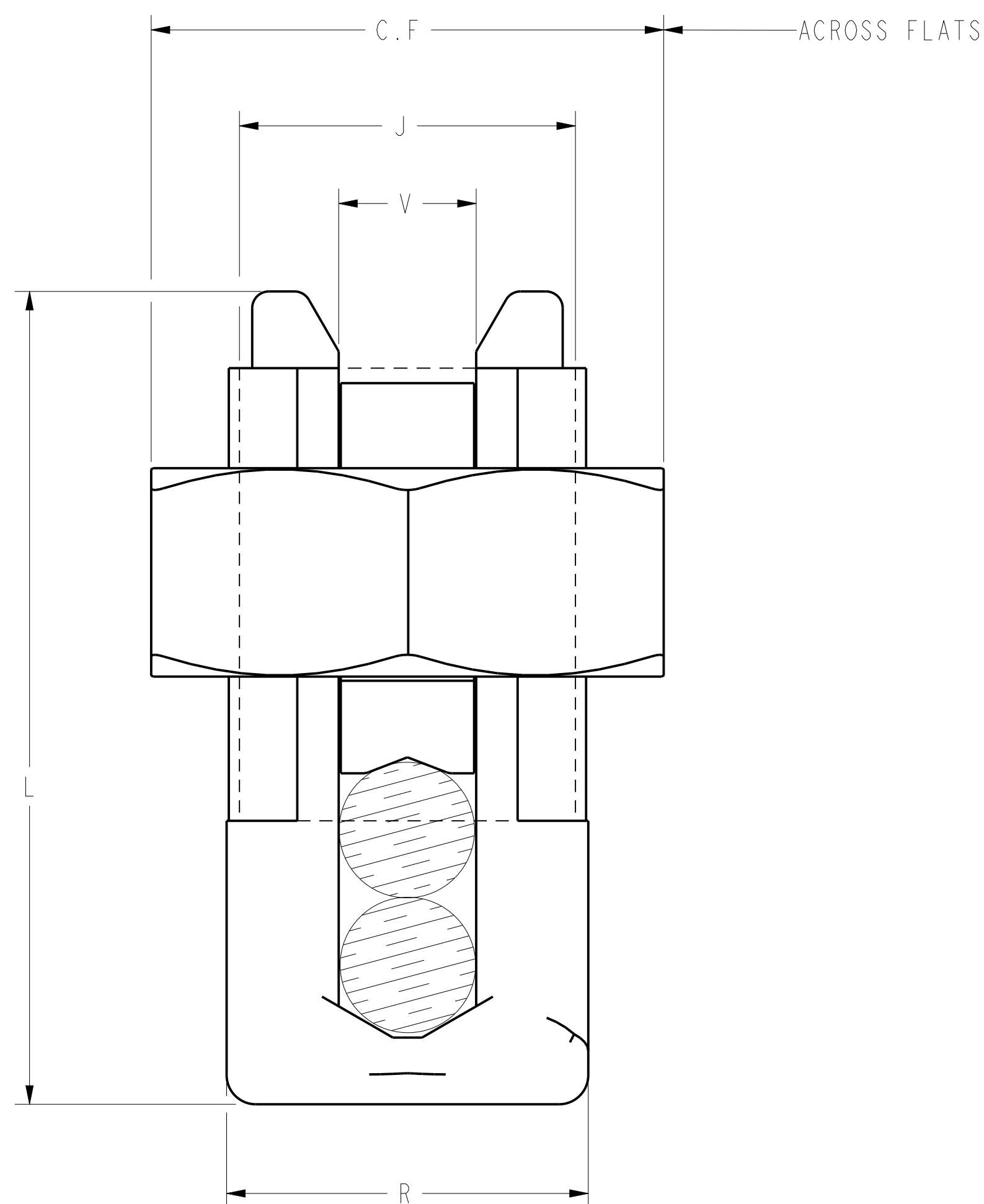
- NOTES:
- MATERIAL: COPPER ALLOY
 - DIMENSIONS IN BRACKET [] ARE IN MILLIMETERS ROUNDED OFF TO THE NEAREST MILLIMETER, UNLESS OTHERWISE NOTED, AND ARE FOR REFERENCE ONLY.
 - UL 486A LISTED. FILE NO. E9498.
 - CSA C22.2 NO. 65 LISTED. FILE NO. 42862.
 - UL467 LISTED, FILE NO. E9999. SUITABLE FOR DIRECT BURIAL.
 - CSA C22.2 NO.41 CERTIFIED. SUITABLE FOR DIRECT BURIAL.
 - THIS DRAWING TO BE INTERPRETED PER ASME Y14.5M-1994.
 - LISTED TORQUE VALUES ARE FOR MAXIMUM CONDUCTOR COMBINATIONS. CONSULT UL486 A-B TABLES 21, 22, 23, FOR SMALLER CONDUCTOR COMBINATIONS.



| | | | |
|---|--|------------------------------------|--|
| TO ORDER BURNDY® PRODUCTS CALL | | HUBBELL POWER SYSTEMS, SPLIT BOLTS | |
| UNITED STATES | | ITEM NO: SEE TABLE | |
| 1-800-346-4175 (LONDONDERRY, NH) | | CAT. NO: SBN-L (TABLE) | |
| CANADA: | | DRAWN BY: D.DOBROINSKI 12/22/09 | |
| 1-800-361-6975 (QUEBEC) | | CHECKER: J.HALL 12/21/09 | |
| 1-800-387-6487 (ALL OTHER PROVINCES) | | DSN APPVL: J.H. 2/11/10 | |
| FOR PRODUCT INFO: http://www.burndy.com | | MFG APPVL: L.LEAVITT 2/11/10 | |
| | | GA APPVL: C.A. 2/11/10 | |
| | | MKT APPVL: -- | |
| | | SCALE: 1:1 | |
| | | PROD FAM: SERVIT | |
| | | DRAWING NO | |
| | | PROJECT #: -- | |
| | | SIZE | |
| | | 10111018 | |
| | | DOCUMENT TYPE: Sales | |
| | | D | |
| | | SHEET 1 OF 2 | |
| | | REV | |
| | | C | |

| REV | DATE | DESCRIPTION | ECO | BY | C.H.K. |
|-----|------------------------|-----------------------|-------|----|--------|
| C | 02/28/2017 00:00:00 AM | UPDATED AS PER MARKUP | 46052 | CV | MB |

| CATALOG NUMBER | B | C.F. | J | L | R | V | W |
|----------------|--------------|--------------|----------------|--------------|--------------|-------------|--------------|
| SBN8 | .45 [11] | .50 [13] | 3/8"-24NF-2 | .85 [22] | .38 [10] | .14 [4] | .57 [15] |
| SBN6 | .58 [15] | .63 [16] | 7/16"-20NF-2 | 1.14 [30] | .45 [11] | .16 [4] | .70 [18] |
| SBN4 | .65 [17] | .64 [18] | 1/2"-20NF-2 | 1.20 [31] | .51 [13] | .22 [6] | .78 [20] |
| SBN2 | .72 [18] | .82 [21] | 5/8"-18UNF-2 | 1.54 [39] | .62 [16] | .32 [8] | .92 [23] |
| SBN10 | .81 [21] | .94 [24] | 3/4"-16UNF-2 | 1.77 [45] | .73 [19] | .38 [10] | 1.06 [27] |
| SBN20 | .90 [23] | 1.05 [27] | 7/8"-14UNF-2 | 1.94 [49] | .82 [21] | .44 [11] | 1.18 [30] |
| SBN30 | .90 [23] | 1.05 [27] | 7/8"-14 UNF-2 | 1.94 [49] | .82 [21] | .48 [12] | 1.18 [30] |
| SBN250 | 1.00 [25] | 1.39 [35] | 1 1/8"-12NF-2 | 2.25 [57] | 1.00 [25] | .60 [15] | 1.56 [37] |
| SBN350 | 1.25 [32] | 1.70 [43] | 1 3/8"-12UNF-2 | 2.60 [66] | 1.41 [36] | .71 [18] | 1.96 [50] |
| SBN500 | 1.31 [33] | 1.82 [46] | 1 7/16"-12UN-2 | 2.83 [72] | 1.48 [38] | .85 [22] | 2.10 [53] |



NOTES:

1. MATERIAL: COPPER ALLOY
2. DIMENSIONS IN BRACKET [] ARE IN MILLIMETERS ROUNDED OFF TO THE NEAREST MILLIMETER, UNLESS OTHERWISE NOTED, AND ARE FOR REFERENCE ONLY.
3. UL 486A LISTED. FILE NO. E9498.
4. CSA C22.2 NO. 65 LISTED. FILE NO. 42862.
5. UL467 LISTED, FILE NO. E9999. SUITABLE FOR DIRECT BURIAL.
6. CSA C22.2 NO. 41 CERTIFIED. SUITABLE FOR DIRECT BURIAL.
7. THIS DRAWING TO BE INTERPRETED PER ASME Y14.5M-1994.
8. LISTED TORQUE VALUES ARE FOR MAXIMUM CONDUCTOR COMBINATIONS. CONSULT UL486 A-B TABLES 21, 22, 23, FOR SMALLER CONDUCTOR COMBINATIONS.

| | | | |
|---|--|------------------------------------|--|
| TO ORDER BURNDY® PRODUCTS CALL | | HUBBELL POWER SYSTEMS™ SPLIT BOLTS | |
| UNITED STATES | | ITEM NO: SEE TABLE | |
| 1-800-346-4175 (LONDONDERRY, NH) | | CAT. NO: SBN-L (TABLE) | |
| CANADA: | | DRAWN BY: D.DOBROINSKI 12/22/09 | |
| 1-800-361-6975 (QUEBEC) | | CHECKER: J.HALL 12/21/09 | |
| 1-800-387-6487 (ALL OTHER PROVINCES) | | DSN APPVL: J.H. 2/11/10 | |
| FOR PRODUCT INFO: http://www.burndy.com | | MFG APPVL: L.LEAVITT 2/11/10 | |
| | | QA APPVL: C.A. 2/11/10 | |
| | | MKT APPVL: -- -- | |
| | | SCALE: 1:1 | |
| | | PROD FAM: SERVIT | |
| | | DRAWING NO | |
| | | 10111018 | |
| | | SHEET 2 OF 2 | |
| | | REV | |
| | | C | |



REV: PEO200