

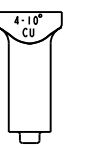
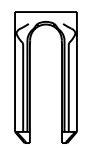
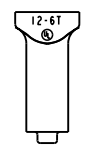
CABLE SIZES ACCOMMODATED

CATALOG NUMBER	FIG.	COPPER AND ALUMINUM (AWG.)			A.C.S.R (AWG)			RECOMMENDED TIGHTENING TORQUE IN-LBS.	LETTERING LOCATOR TYPE
		RUN	TAP	MAX. CABLE COMBINATION	RUN	TAP	MAX. CABLE COMBINATION		
		SBS6	2	12 STR (.092)/ 12 SOL (.081)	12 STR (.092)/ 12 SOL (.081)	TWO 6 SOL (.162)	#8 (.158 DIA) 6-1		
SBS4	2	10 STR (.116) /10 SOL (.102)	10 STR (.116) /10 SOL (.102)	TWO 4 SOL (.204)	#6 (.198 DIA) 6-1	#6 (.198 DIA) 6-1	TWO #6 (.198 DIA) 6-1	165	A
SBS2	2	8 STR (.148)	8 SOL (.129)	TWO 2 STR (.291)	#3 (.281 DIA) 6-1	#6 (.198 DIA) 6-1	TWO #2 (.316 DIA) 6-1	275	A
SBS10	2	2 STR (.292)	10 STR (.116)	TWO 1/0 STR (.373)	#3 (.281 DIA) 6-1	#6 (.198 DIA) 6-1	TWO #1 (.355 DIA) 6-1	385	A
SBS20	2	2 STR (.292)	8 STR (.146)	TWO 2/0 STR (.418)	#1 (.355 DIA) 6-1	#6 (.198 DIA) 6-1	TWO 1/0 (.398 DIA) 6-1	385	A
SBS30	1	1 STR (.332)	8 SOL (.129)	TWO 3/0 STR (.470)	#1 (.355 DIA) 6-1	#8 (.158 DIA) 6-1	TWO 2/0 (.447 DIA) 6-1	500	B
SBS250	1	1 STR (.332)	8 STR (.146)	TWO 250 Kcmil (.575)	2/0 (.447 DIA) 6-1	#6 (.198 DIA) 6-1	TWO 4/0 (.563 DIA) 6-1	650	B
SBS350	1	1/0 STR (.373)	4 STR (.232)	TWO 350 Kcmil (.681)	3/0 (.502 DIA) 6-1	#4 (.250 DIA) 6-1	TWO 4/0 (.563 DIA) 6-1	650	B
SBS500	1	400 Kcmil (.728)	2 STR (.291)	TWO 500 Kcmil (.814)	336.4 Kcmil (.741 DIA) 30-7	#2 (.316 DIA) 6-1	TWO 477 Kcmil (.814 DIA) 18-1	825	B

REV	DATE	DESCRIPTION	ECO	BY	C'H'K.
A	2/11/2011 12:00:00 AM	RELEASED FOR PRODUCTION	19918	D. D.	J. H.



TYPICAL LETTERING TYPE C



METRIC CABLE SIZES ACCOMMODATED

CATALOG NUMBER	FIG.	COPPER AND ALUMINUM			A.C.S.R			RECOMMENDED TIGHTENING TORQUE [N-m]	LETTERING LOCATOR TYPE
		RUN	TAP	MAX. CABLE COMBINATION	RUN	TAP	MAX. CABLE COMBINATION		
		SBS6	2	4mm <sup>2</sup> STR [2.7]/4mm <sup>2</sup> SOL [2.3]	4mm <sup>2</sup> STR [2.7]/4mm <sup>2</sup> SOL [2.3]	TWO 10mm <sup>2</sup> SOL [3.2]	16/2.5 [5.4 DIA] 6-1		
SBS4	2	6mm <sup>2</sup> STR [3.3]/6mm <sup>2</sup> SOL [2.8]	6mm <sup>2</sup> STR [3.3]/6mm <sup>2</sup> SOL [2.8]	TWO 16mm <sup>2</sup> STR [5.1]	16/2.5 [5.4 DIA] 6-1	16/2.5 [5.4 DIA] 6-1	-----	[18.6]	A
SBS2	2	10mm <sup>2</sup> STR [4.0]	10mm <sup>2</sup> SOL [4.0]	TWO 35mm <sup>2</sup> STR [7.5]	35/6mm <sup>2</sup> [8.1] DIA 6-1	16/2.5 [5.4 DIA] 6-1	TWO 35/6 [8.1 DIA] 6-1	[31.1]	A
SBS10	2	35mm <sup>2</sup> STR [7.5]	6mm <sup>2</sup> STR [3.3]	TWO 50mm <sup>2</sup> STR [9.0]	35/6mm <sup>2</sup> [8.1] DIA 6-1	16/2.5 [5.4 DIA] 6-1	TWO 35/6 [8.1 DIA] 6-1	[43.5]	A
SBS20	2	35mm <sup>2</sup> STR [7.5]	10mm <sup>2</sup> STR [4.0]	TWO 70mm <sup>2</sup> STR [10.5]	50/8 [9.6 DIA] 6-1	16/2.5 [5.4 DIA] 6-1	TWO 50/8 [9.6 DIA] 6-1	[43.5]	A
SBS30	1	50mm <sup>2</sup> STR [9.0]	10mm <sup>2</sup> STR [4.0]	TWO 95mm <sup>2</sup> STR [12.5]	50/8 [9.6 DIA] 6-1	16/2.5 [5.4 DIA] 6-1	TWO 44/32 [11.2 DIA] 14-7	[56.5]	B
SBS250	1	50mm <sup>2</sup> STR [9.0]	10mm <sup>2</sup> STR [4.0]	TWO 120mm <sup>2</sup> STR [14.0]	70/12 [11.7 DIA] 26-7	16/2.5 [5.4 DIA] 6-1	TWO 95/15 [13.6 DIA] 26-7	[73.4]	B
SBS350	1	70mm <sup>2</sup> STR [10.5]	16mm <sup>2</sup> STR [5.1]	TWO 185mm <sup>2</sup> STR [17.5]	95/15 [13.6 DIA] 26-7	25/4 [6.8 DIA] 6-1	TWO 95/15 [13.6 DIA] 26-7	[73.4]	B
SBS500	1	240mm <sup>2</sup> STR [20.6]	35mm <sup>2</sup> STR [7.5]	TWO 240mm <sup>2</sup> STR [20.6]	170/40 [18.9 DIA] 30-7	35/6 [8.1 DIA] 6-1	TWO 210/35 [20.3 DIA] 26-7	[93.2]	B

NOTES:

- MATERIAL: COPPER ALLOY
- FINISH: TIN PLATED
- DIMENSIONS IN BRACKET [ ] ARE IN MILLIMETERS ROUNDED OFF TO THE NEAREST MILLIMETER, UNLESS OTHERWISE NOTED, AND ARE FOR REFERENCE ONLY.
- SBS SPLIT BOLTS ARE MANUFACTURED WITH SERRATIONS LOCATED IN THE BODY, (PRESSURE BAR SERRATIONS OPTIONAL) AND SPACER.
- CONDUCTORS IN ABOVE TABLES MAY BE USED IN ANY COMBINATION PROVIDED THEY FALL WITHIN THE RANGE OF THE SIZE SPLIT BOLT USED. THIS SPLIT BOLT CAN ALSO ACCOMMODATE STEEL AND STEEL - COPPER COMPOSITE CABLE OF EQUIVALENT DIAMETERS IN ANY COMBINATION.
- SPECIAL INSTRUCTION FOR ALUMINUM CONDUCTORS: WHEN USED ON ALUMINUM CONDUCTORS, SMEAR PENETROX™ 'A' OR EQUIVALENT ON THE CONDUCTOR STRANDS. SCRATCH BRUSHING THE ALUMINUM CONDUCTORS (BUT NOT THE CONNECTOR) AFTER APPLYING THE COMPOUND IS RECOMMENDED. PENETROX™ 'A' MAY BE PURCHASED FROM BURNDY.

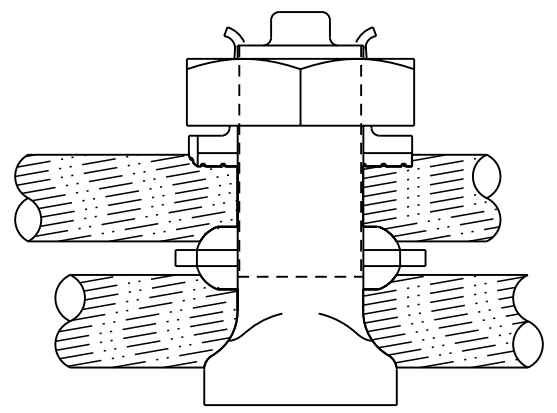


FIG. 1

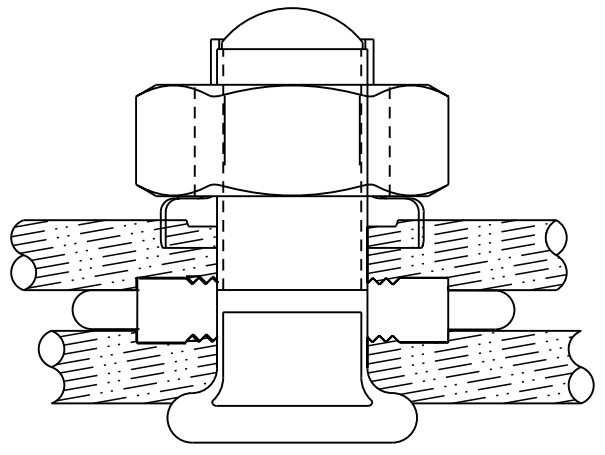
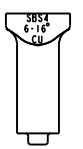
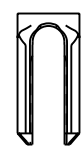
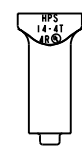


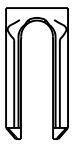
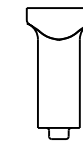
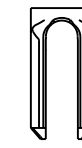
FIG. 2



TYPICAL LETTERING TYPE A



TYPICAL LETTERING TYPE B



- THIS DRAWING TO BE INTERPRETED PER ASME Y14.5M-1994.
- UL 486A LISTED, FILE NO. E9498.; COPPER CONDUCTORS ONLY.

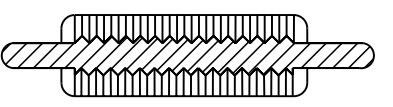
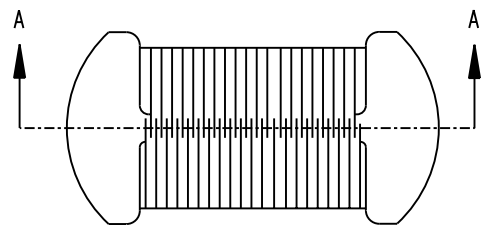
9 LISTED TORQUE VALUES ARE FOR MAXIMUM CONDUCTOR COMBINATIONS. CONSULT UL486 A-B TABLES 21, 22, 23, FOR SMALLER CONDUCTOR COMBINATIONS.

TO ORDER BURNDY® PRODUCTS CALL		HPS UNIVERSAL SPLIT BOLT	
UNITED STATES 1-800-346-4175 (LONDONDERRY, NH)		ITEM NO: 107625	CAT. NO: SPS- (TABLE)
CANADA: 1-800-361-6975 (QUEBEC) 1-800-387-6487 (ALL OTHER PROVINCES)		DRAWN BY: D.DOBROINSKI 12/23/09	CHECKER: --
FOR PRODUCT INFO: <a href="http://www.burndy.com">http://www.burndy.com</a>		DSN APPVL: J.H. 2/11/10	MFG APPVL: L.LEAVITT 2/11/10
		QA APPVL: C.A. 2/11/10	MKT APPVL: --
		PROJ #: --	SCALE: --
		SIZE: D	DRAWING NO: 10111020
		REL LEVEL: Released	REV: A
		SHEET 1 OF 2	

REV: PE0200

DRAWING NO. 10111020		7		6		5		4		3		2		1	
CATALOG NUMBER	FIG.	H	R	C.F.	B	J	L	V	W						
SBS6	2	1.00 [25]	.42 [11]	.62 [15]	.53 [13]	7/16"-20NF-2	1.14 [29]	.17 [4]	.70 [17]						
SBS4	2	1.06 [26]	.48 [12]	.69 [17]	.56 [14]	1/2"-20NF-2	1.35 [34]	.22 [5]	.78 [19]						
SBS2	2	1.19 [29]	.59 [15]	.81 [20]	.65 [17]	5/8"-18NF-2	1.56 [40]	.32 [8]	.94 [23]						
SBS10	2	1.33 [33]	.70 [18]	.93 [23]	.78 [20]	3/4"-16NF-2	1.77 [45]	.39 [9]	1.05 [26]						
SBS20	2	1.45 [36]	.79 [20]	1.04 [25]	.87 [22]	7/8"-14NF-2	1.95 [50]	.44 [11]	1.19 [29]						
SBS30	1	2.08 [51]	1.12 [28]	1.38 [34]	1.31 [33]	1 1/8"-12NF-2	2.36 [60]	.55 [14]	1.58 [39]						
SBS250	1	1.70 [43]	1.22 [31]	1.38 [34]	1.16 [29]	1 1/8"-12NF-2	2.66 [68]	.60 [15]	1.58 [39]						
SBS350	1	1.75 [43]	1.36 [35]	1.69 [41]	1.41 [36]	1 3/8"-12NF-2	3.00 [76]	.70 [17]	1.91 [47]						
SBS500	1	2.72 [67]	1.47 [37]	1.79 [45]	1.47 [37]	1 7/16"-12NF-2	3.46 [88]	.85 [21]	2.28 [56]						

REV	DATE	DESCRIPTION	ECO	BY	C'H'K.
A	2/11/2011 12:00:00 AM	RELEASED FOR PRODUCTION		19918 D.D.	J.H.



SECTION A-A

VIEW OF TYPICAL SPACER USED WITH TYPICAL PRESSURE BAR AND BODY

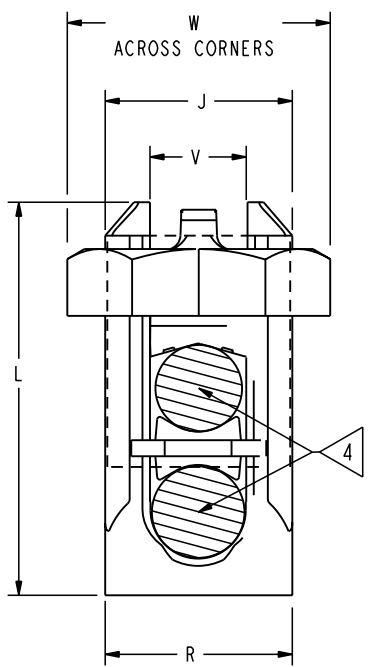


FIG. 1

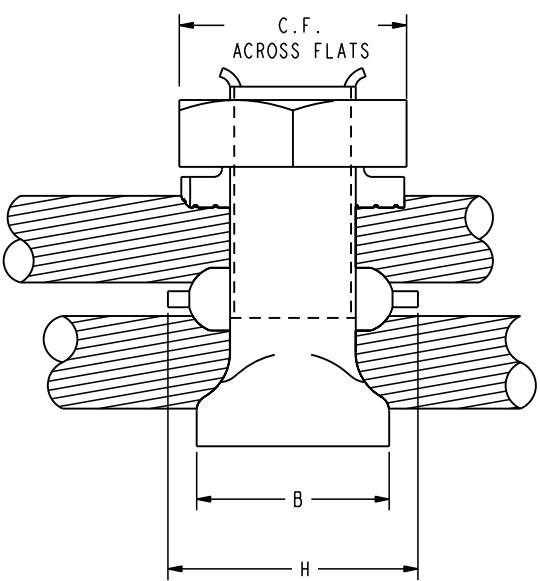
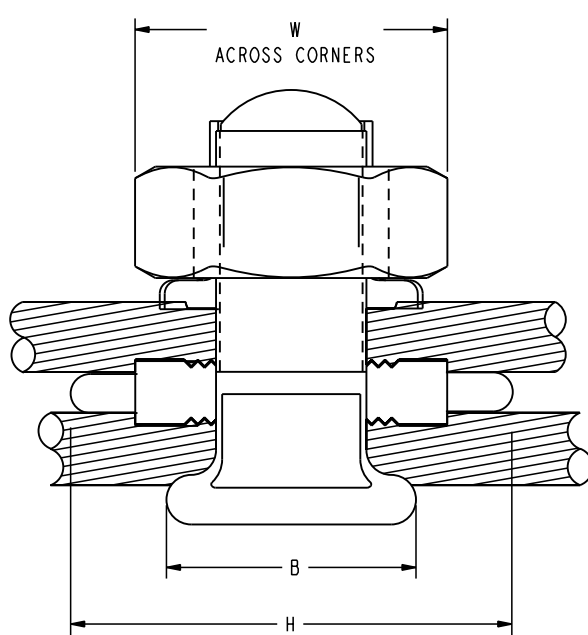


FIG. 2



NOTES:

1. MATERIAL: COPPER ALLOY
2. FINISH: TIN PLATED
3. DIMENSIONS IN BRACKET [ ] ARE IN MILLIMETERS ROUNDED OFF TO THE NEAREST MILLIMETER, UNLESS OTHERWISE NOTED, AND ARE FOR REFERENCE ONLY.
4. SBS SPLIT BOLT ARE MANUFACTURED WITH SERRATIONS LOCATED IN THE BODY, (PRESSURE BAR SERRATIONS OPTIONAL) AND SPACER.
5. CONDUCTORS IN ABOVE TABLES MAY BE USED IN ANY COMBINATION PROVIDED THEY FALL WITHIN THE RANGE OF THE SIZE SPLIT BOLT USED. THIS SPLIT BOLT CAN ALSO ACCOMMODATE STEEL AND STEEL - COPPER COMPOSITE CABLE OF EQUIVALENT DIAMETERS IN ANY COMBINATION.
6. SPECIAL INSTRUCTION FOR ALUMINUM CONDUCTORS: WHEN USED ON ALUMINUM CONDUCTORS, SMEAR PENETROX™ 'A' OR EQUIVALENT ON THE CONDUCTOR STRANDS. SCRATCH BRUSHING THE ALUMINUM CONDUCTORS (BUT NOT THE CONNECTOR) AFTER APPLYING THE COMPOUND IS RECOMMENDED. PENETROX™ 'A' MAY BE PURCHASED FROM BURNDY.
7. THIS DRAWING TO BE INTERPRETED PER ASME Y14.5M-1994.
8. UL 486A LISTED, FILE NO. E9498; COPPER CONDUCTORS ONLY.
9. LISTED TORQUE VALUES ARE FOR MAXIMUM CONDUCTOR COMBINATIONS. CONSULT UL486 A-B TABLES 21, 22, 23, FOR SMALLER CONDUCTOR COMBINATIONS.

TO ORDER BURNDY® PRODUCTS CALL		HPS UNIVERSAL SPLIT BOLT	
UNITED STATES		ITEM NO: S00106	
1-800-346-4175 (LONDONDERRY, NH)		CAT. NO: SPS-- (TABLE)	
CANADA:		DRAWN BY: D.DOBIRNSKI 12/23/09	
1-800-361-6975 (QUEBEC)		CHECKER: --	
1-800-387-6487 (ALL OTHER PROVINCES)		DSN APPVL: J.H. 2/11/10	
FOR PRODUCT INFO: <a href="http://www.burndy.com">http://www.burndy.com</a>		MFG APPVL: L.LEAVITT 2/11/10	
		QA APPVL: C.A. 2/11/10	
		MKT APPVL: --	
		PROJ FAM: SERVIT	SCALE: --
		PROJECT #: --	DRAWING NO
		DOCUMENT TYPE: Sales	10111020
		REL LEVEL: Released	SHEET 2 OF 2
		SIZE	D
		REV	A

REV: PE0200