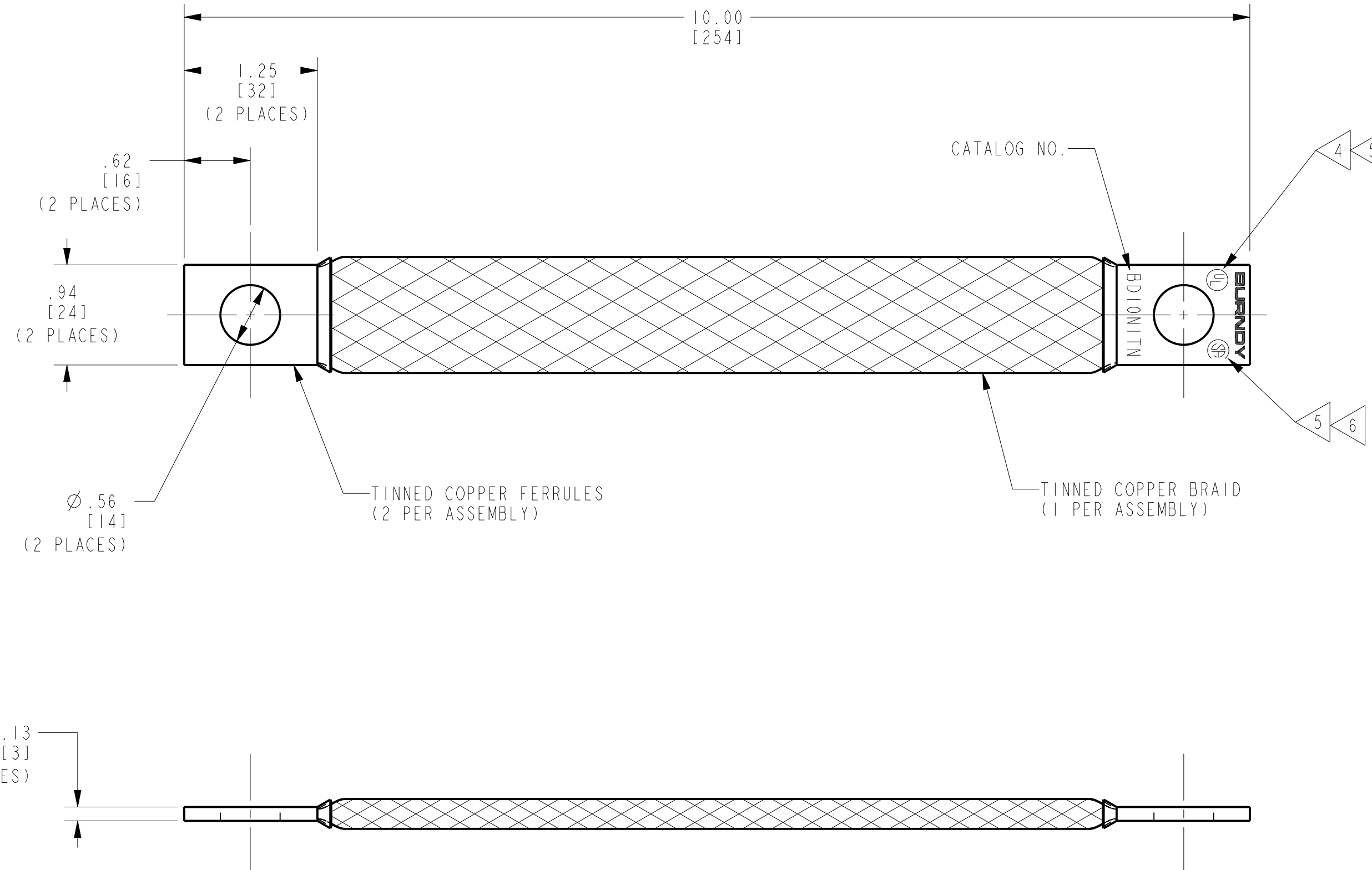
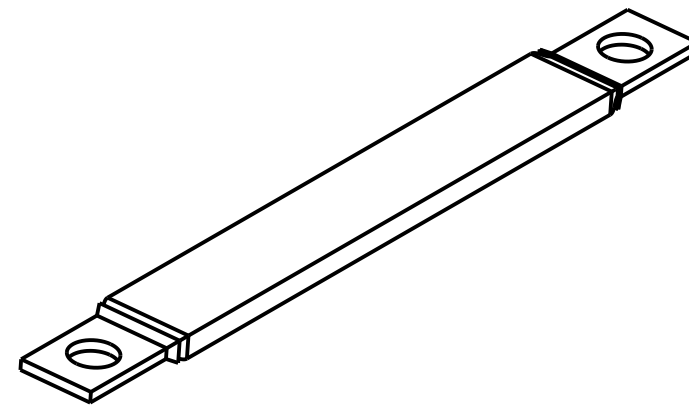


REV	DATE	DESCRIPTION	ECO	BY	C'HK.
B	05/03/2017 11:13:00 AM	LOGO UPDATE	46639	BK	MB



NOTES:

- DIMENSIONS IN BRACKETS [] ARE IN MILLIMETERS ROUNDED OFF TO THE NEAREST MILLIMETER, UNLESS OTHERWISE SPECIFIED, AND ARE FOR REFERENCE ONLY.
- APPROXIMATE AMP RATING: 190 INDOOR, 225 OUTDOOR
THIS MAY VARY WITH AMBIENT CONDITIONS, ORIENTATION OF THE BRAID AND OTHER SERVICE CONDITIONS.
- ALL SIZES ARE LISTED TO UL 467 GROUNDING & BONDING EQUIPMENT STANDARDS.
- ALL SIZES ARE LISTED TO CSA C22.2 NO.41 GROUNDING & BONDING EQUIPMENT STANDARDS.

TO ORDER BURNDY® PRODUCTS CALL
 UNITED STATES:
 1-800-346-4175 (LONDONDERRY, NH)
 CANADA:
 1-800-361-6975 (QUEBEC)
 1-800-387-6487 (ALL OTHER PROVINCES)
 FOR PRODUCT INFO: <http://www.burndy.com>

BRAID	
ITEM NO:	10110756
CAT. NO:	BDIONITN
DRAWN BY:	R. BOISVERT 12/30/09
CHECKER:	J. PARKER 01/04/10
DSN APPVL:	J. PARKER 12/23/09
MFG APPVL:	C. MARTINEZ 12/23/09
QA APPVL:	J. BRODEUR 12/29/09
MKT APPVL:	P. THERRIEN 12/23/09
PROD FAM:	--
PROJECT #:	--
DOCUMENT TYPE:	Sales
REL LEVEL:	Released
SCALE:	1:1
DRAWING NO	10111198
REV	B
SIZE	C
SHEET 1 OF 1	



REV: PE0200