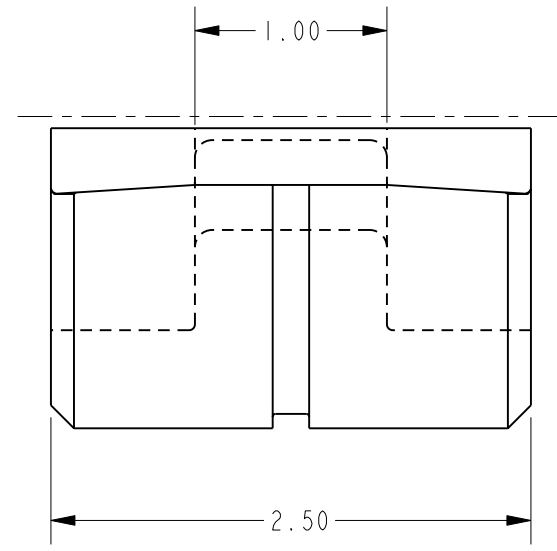
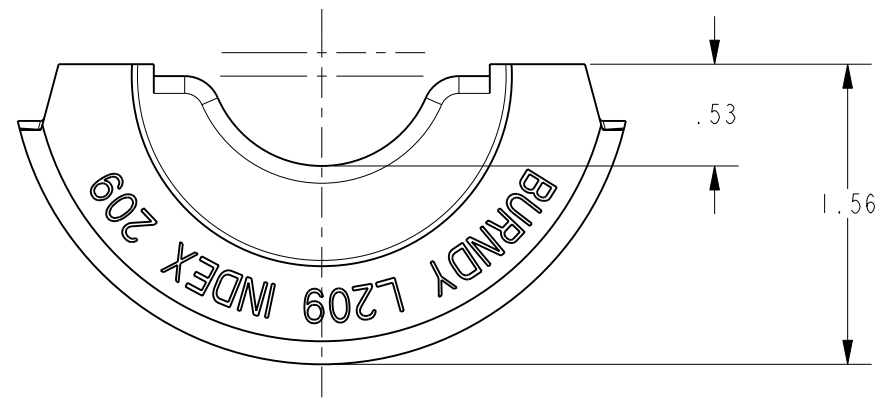
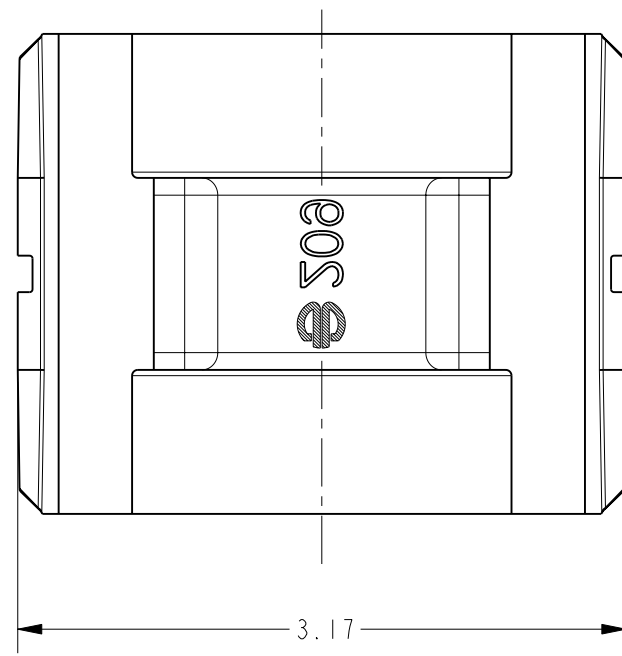


REV.	DATE	DESCRIPTION	ECO	BY	C'H'K.
A	12/29/2009 10:00:00 PM	NEW SALES DRAWING RELEASED	19941	RM	JG



NOTES:

1. DIMENSIONS IN [] BRACKETS ARE IN MILLIMETERS, ROUNDED OFF TO THE NEAREST MILLIMETER, UNLESS OTHERWISE NOTED. METRIC DIMENSIONS ARE FOR REFERENCE ONLY.
2. MATERIAL : STAINLESS STEEL.
3. USED ON Y60 HYPRESS™.

TO ORDER BURNDY® PRODUCTS CALL
 UNITED STATES:
 1-800-346-4175 (LONDONDERRY, NH)
 CANADA:
 1-800-361-6975 (QUEBEC)
 1-800-387-6487 (ALL OTHER PROVINCES)
 FOR PRODUCT INFO: <http://www.burndy.com>

CIRCULAR TWIN DIE		SCALE: 1:1
ITEM NO: N/A		
CAT. NO: L209		
DRAWN BY: R. MURUGESAN	12/29/09	
CHECKER: --	--	
DSN APPVL: --	--	
MFG APPVL: --	--	
QA APPVL: --	--	
MKT APPVL: --	--	
PROD FAM: TOOLS_HYDRAULIC/L_DIES	DRAWING NO	REV
PROJECT #: --	SIZE	10111233
DOCUMENT TYPE: Sales	B	A
REL LEVEL: Released		SHEET 1 OF 1

REV: PE0200