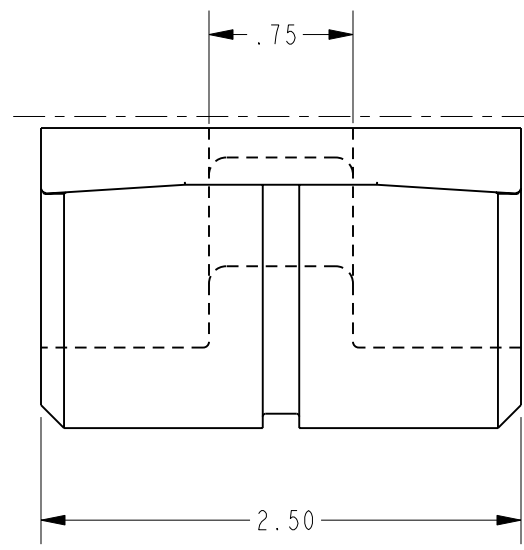
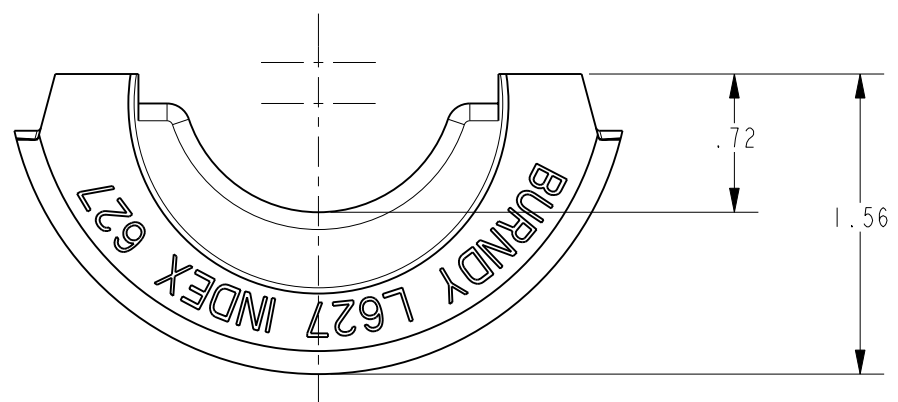
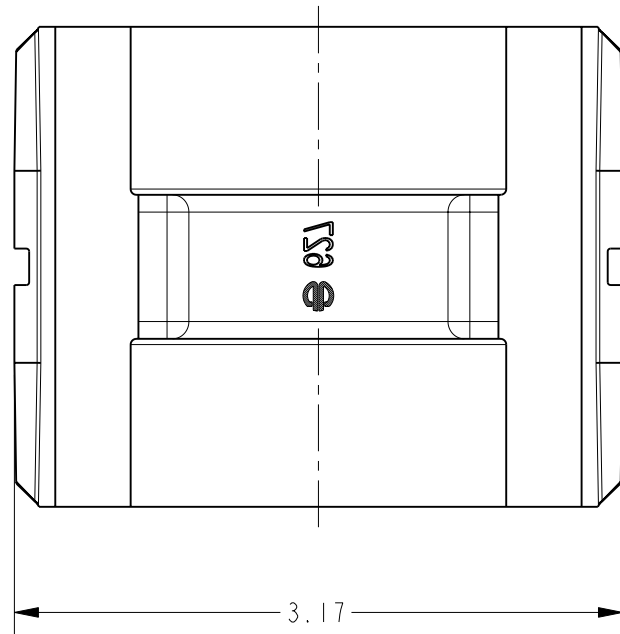


REV.	DATE	DESCRIPTION	ECO	BY	C'H'K.
A	1/6/2010 2:30:00 AM	NEW SALES DRAWING RELEASED	19941	RM	JG



NOTES:

1. DIMENSIONS IN [] BRACKETS ARE IN MILLIMETERS, ROUNDED OFF TO THE NEAREST MILLIMETER, UNLESS OTHERWISE NOTED. METRIC DIMENSIONS ARE FOR REFERENCE ONLY.
2. MATERIAL : STAINLESS STEEL.
3. USED ON Y60 HYPRESS™.

TO ORDER BURNDY® PRODUCTS CALL
 UNITED STATES:
 1-800-346-4175 (LONDONDERRY, NH)
 CANADA:
 1-800-361-6975 (QUEBEC)
 1-800-387-6487 (ALL OTHER PROVINCES)
 FOR PRODUCT INFO: <http://www.burndy.com>

CIRCULAR TWIN DIE		DRAWING NO	REV
ITEM NO: N/A		10111236	A
CAT. NO: L627		SCALE: 1:1	
DRAWN BY: R. MURUGESAN	1/6/10		
CHECKER: --	--		
DSN APPVL: --	--		
MFG APPVL: --	--		
QA APPVL: --	--		
MKT APPVL: --	--	PROJ. #:	
PROD. FAM: TOOLS-HYDRAULIC/L-DIES	SIZE: B	SHEET 1 OF 1	
REL. LEVEL: Released			

REV: PE0200