

DRAWING NO.
10112062

4

3

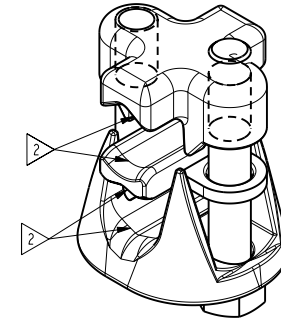
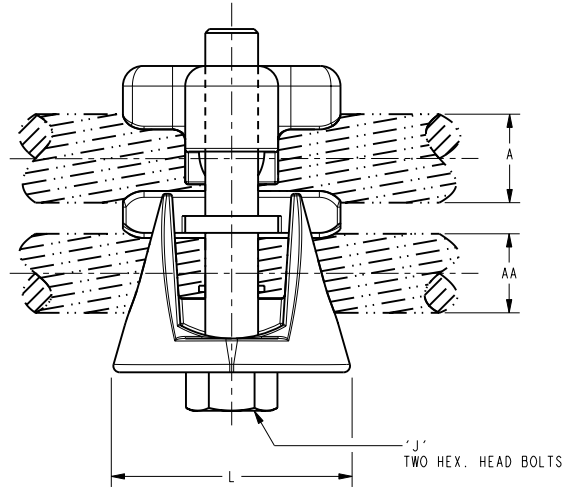
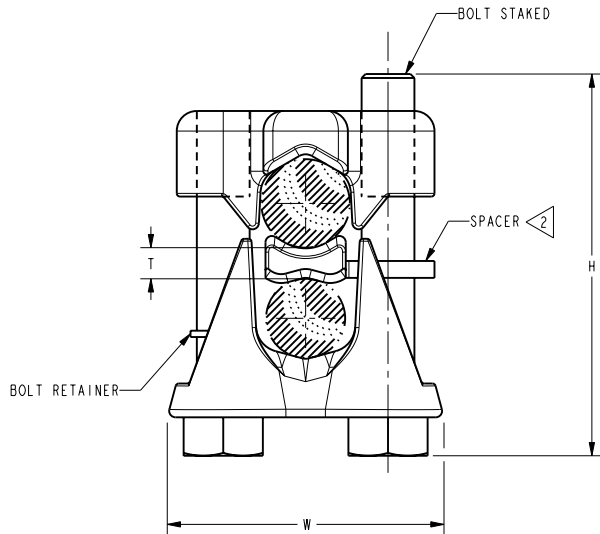
2

1

REV	DATE	DESCRIPTION	ECO	BY	C'H'K.
A	11/19/2011 5:30:00 AM	Series modified.	23202	BSK	DB

CAT. NO.	RANGE OF CONDUCTORS ACCOMMODATED					
	COPPER CABLE		ALUMINUM CABLE, STEEL REINFORCED (ACSR)		ALL ALUMINUM CABLE	
	RUN "A"	TAP "AA"	RUN "A"	TAP "AA"	RUN "A"	TAP "AA"
KVS34AG19	400 kcmil (.728) - 500 kcmil (.813)	#5 STR. (.206) - 500 kcmil (.813)	336.4 kcmil - (.741) - 397.5 kcmil (.783)	#5 STR. (.223) - 397.5 kcmil (.783)	400 kcmil (.728) - 500 kcmil (.813)	#4 (.232) - 500 kcmil (.813)

MIN. RUN DIA. "A"	MIN. TAP DIA. "AA"	MAX. RUN & TAP DIA.	CAT. NO.	H	J	L	T	W
.728	.206	.813	KVS34AG19	3.61	.500	2.28	.28	2.62



NOTES:

- 1 IN ADDITION TO TYPE AND SIZES OF CONDUCTORS SHOWN ABOVE, THESE CONNECTORS WILL ACCOMMODATE ACSR CONDUCTORS OVER ARM OR ROD WITHIN THE DIAMETER RANGE INDICATED.
 - 2 PENETROX™ IS FACTORY APPLIED TO BOTH GROOVES OF SPACER AND TO BOTH CAP AND BODY GROOVES.
 - 3 SCRATCH BRUSH CONDUCTOR CONTACT SURFACE DRY, THEN APPLY PENETROX™.
 - 4 PENETROX™ CAN BE PURCHASED FROM BURNDY LLC IN CANS OR PLASTIC SQUEEZE BOTTLES.
 - 5 EACH OKLIP IS INDIVIDUALLY PACKAGED IN AN APPROPRIATE POLYBAG.
5. MATERIAL: BODY AND CAP: CAST ALUMINUM ALLOY
BOLTS: STAINLESS STEEL.

TO ORDER BURNDY® PRODUCTS CALL		OKLIP	
UNITED STATES: 1-800-346-4175 (LONDONDERRY, NH)		ITEM NO: 10109647	
CANADA: 1-800-361-6975 (QUEBEC) 1-800-387-6487 (ALL OTHER PROVINCES)		CAT. NO: KVS34AG19	
FOR PRODUCT INFO: http://www.burndy.com		DRAWN BY: N.D.KANNAN 01/20/2010	
		CHECKER: --	
		DSN APPVL: --	
		MFG APPVL: --	
		QA APPVL: --	
		MKT APPVL: --	
		SCALE: 1:1	
		PROD FAM: CM&R	DRAWING NO
		PROJECT #: --	10112062
		DOCUMENT TYPE: Sales	A
		REL LEVEL: Released	SHEET 1 OF 1

REV: PEG200

4

3

2

1