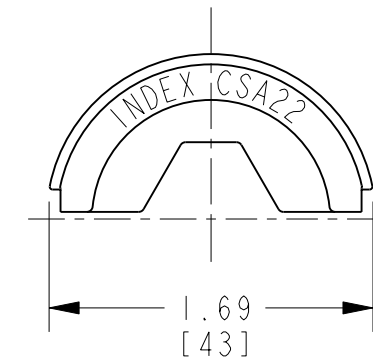
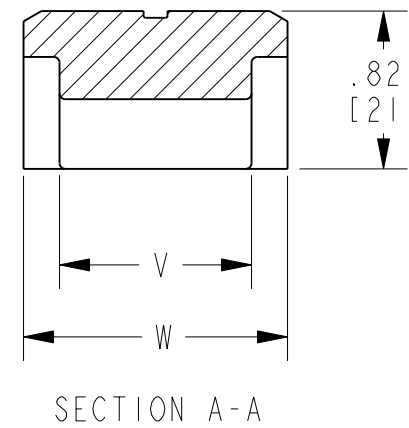
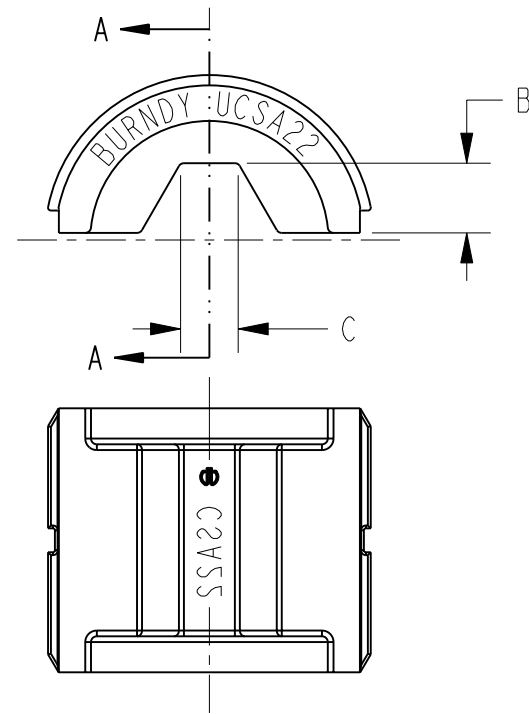


CAT. NO.	DIE INDEX	B	C	V	W
UCSA20	CSA20	.24 [6]	.28 [7]	1.00 [25]	1.38 [35]
UCSA22	CSA22	.27 [7]	.31 [8]	1.00 [25]	1.38 [35]
UCSA24	CSA24	.35 [9]	.41 [10]	1.00 [25]	1.38 [35]
UCSA26	CSA26	.43 [11]	.50 [13]	.75 [19]	1.38 [35]
UCSA28	CSA28	.51 [13]	.59 [15]	.63 [16]	1.38 [35]
UCSA30	CSA30	.62 [16]	.72 [18]	.63 [16]	1.38 [35]
4 UCSA1	CSA1	.24 [6]	.28 [7]	.23 [6]	1.38 [35]
UCSA2	CSA2	.30 [8]	.34 [9]	.19 [5]	1.38 [35]
UCSA3	CSA3	.35 [9]	.41 [10]	.16 [4]	1.38 [35]

REV.	DATE	DESCRIPTION	ECO	BY	C'H'K.
C	06/13/2016 00:00:00 AM	UPDATED AS PER MARK UP.	43421	MG	RM



NOTES:

1. DIMENSIONS IN [] BRACKETS ARE IN MILLIMETERS, ROUNDED OFF TO THE NEAREST MILLIMETER, UNLESS OTHERWISE NOTED. METRIC DIMENSIONS ARE FOR REFERENCE ONLY.
2. DIE INSPECTION GAGE CATALOG NUBMER (CUSTOMER & ENGINEERING ONLY): N/A
3. MATERIAL: STAINLESS STEEL.

4 THIS CABLE GROOVE IS MARKED WITH  ONLY.

TO ORDER BURNDY® PRODUCTS CALL		HEXAGONAL TWIN DIE													
UNITED STATES: 1-800-346-4175 (LONDONDERRY, NH)		ITEM NO: --													
CANADA: 1-800-361-6975 (QUEBEC) 1-800-387-6487 (ALL OTHER PROVINCES)		CAT. NO: U-CSA-- (TABLE)													
FOR PRODUCT INFO: http://www.burndy.com		<table border="1"> <tr> <td>DRAWN BY: M.GOWRISANKAR</td> <td>01/23/10</td> </tr> <tr> <td>CHECKER: R.ROMAN</td> <td>01/29/10</td> </tr> <tr> <td>DSN APPVL: R.ROMAN</td> <td>01/29/10</td> </tr> <tr> <td>MFG APPVL: S.HOPPS</td> <td>02/01/10</td> </tr> <tr> <td>QA APPVL: J.BRODEUR</td> <td>01/30/10</td> </tr> <tr> <td>MKT APPVL: R.POIRIER</td> <td>01/29/10</td> </tr> </table>		DRAWN BY: M.GOWRISANKAR	01/23/10	CHECKER: R.ROMAN	01/29/10	DSN APPVL: R.ROMAN	01/29/10	MFG APPVL: S.HOPPS	02/01/10	QA APPVL: J.BRODEUR	01/30/10	MKT APPVL: R.POIRIER	01/29/10
DRAWN BY: M.GOWRISANKAR	01/23/10														
CHECKER: R.ROMAN	01/29/10														
DSN APPVL: R.ROMAN	01/29/10														
MFG APPVL: S.HOPPS	02/01/10														
QA APPVL: J.BRODEUR	01/30/10														
MKT APPVL: R.POIRIER	01/29/10														
SCALE: 1:1		DRAWING NO													
PROJECT #: --		10112187													
DOCUMENT TYPE: Sales		SHEET 1 OF 1													
REL LEVEL: Released		C													

REV: PE0200