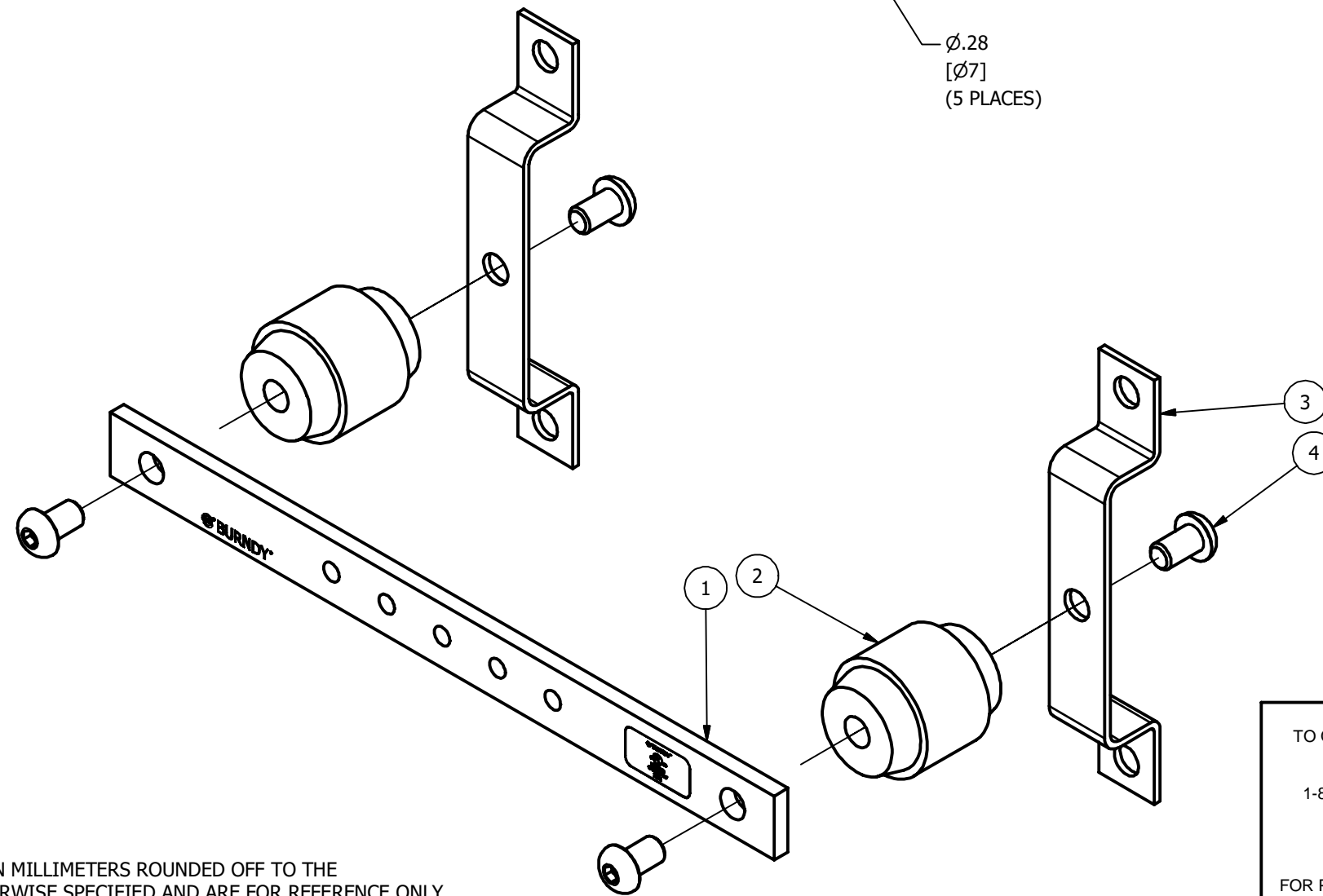
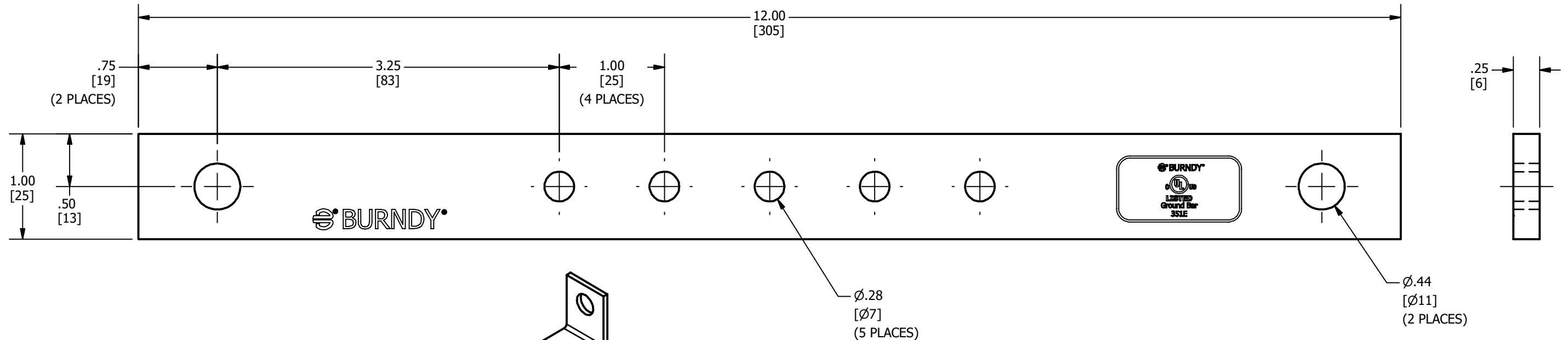


*** BILL OF MATERIAL ***		
PT NO.	QTY	DESCRIPTION
1	1	COPPER GROUND BAR
2	2	RED RND INSULATOR
3	2	S.S. MOUNTING BRACKET
4	4	S.S. BUTTON-HEAD SOCKET CAP SCREW

REV	DATE	DESCRIPTION	ECO	BY	C'H'K.
B	06/03/2021	NEW DRAWING CREATED	210603008809	PB	RG



NOTES:

1. DIMENSIONS IN BRACKETS [] ARE IN MILLIMETERS ROUNDED OFF TO THE NEAREST MILLIMETER, UNLESS OTHERWISE SPECIFIED AND ARE FOR REFERENCE ONLY.

TO ORDER BURNDY® PRODUCTS CALL

UNITED STATES
1-800-346-4175 (LONDONDERRY, NH)

CANADA:
1-800-387-6487

FOR PRODUCT INFO: <http://www.burndy.com>

COPPER GROUND BAR KIT

ITEM NO: BBB14112K

CAT. NO: BBB14112K

DRAWN BY: B.PARTHIBAN 05/03/2021

CHECKER: B.ELLIOTT 05/14/2021

DSN APRVL: B.ELLIOTT 06/14/2021

MFG APRVL: P.MARTEL 06/09/2021

QA APRVL: G.REDFIELD 06/10/2021

MKT APRVL: K.ROBICHEAU 06/08/2021

PROD FAM: --

PROJECT #: --

DOCUMENT TYPE: SALES

REL LEVEL: Released

		DRAWING NO	REV
		10112196	B
SHEET 1 OF 1			