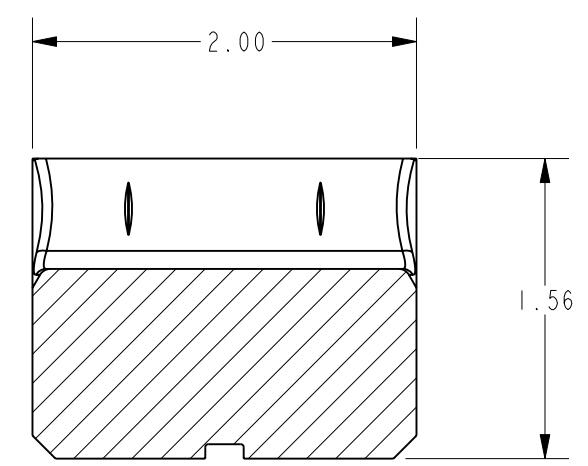
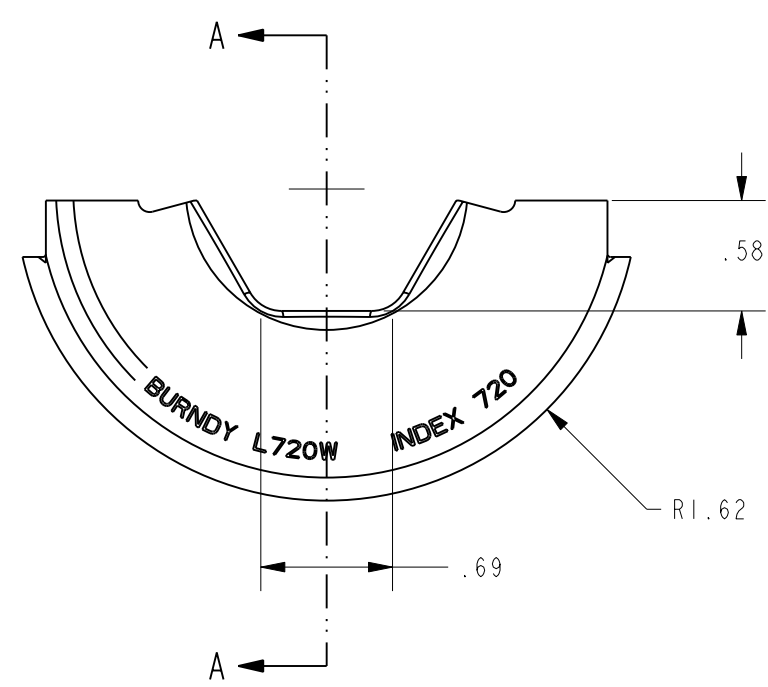
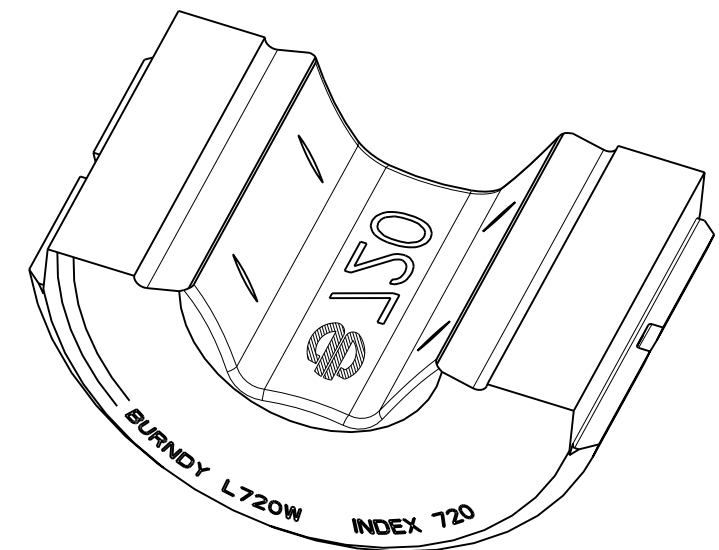
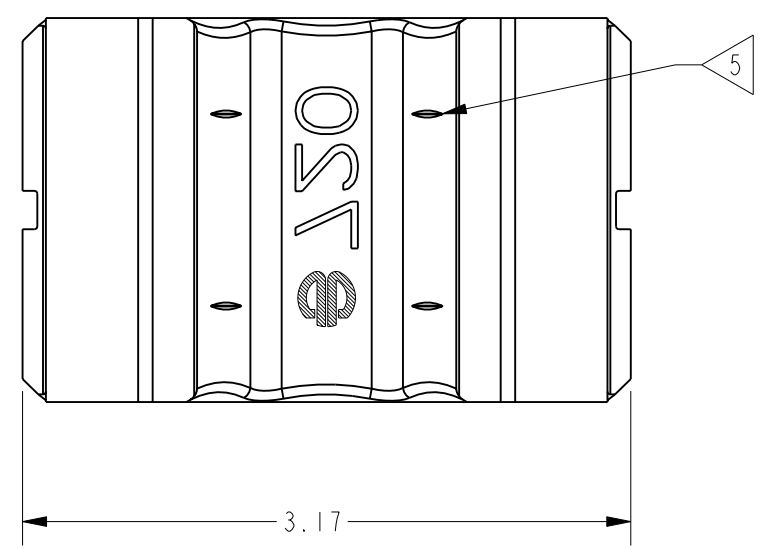


REV.	DATE	DESCRIPTION	ECO	BY	C'H'K.
B	4/21/2010 4:00:00 AM	RELEASE SALES DRAWING	20837	RM	JG



SECTION A-A

- NOTES:
1. INTERPRET THIS DRAWING PER ASME Y14.5M-1994
 2. USE ON Y60 HYPRESS™.
 3. MATERIAL: STAINLESS STEEL
 4. L720W HAS A WIDER PLOW WIDTH THAN L720 TO REDUCE THE NUMBER OF OVER-LAPPING CRIMPS.
- 5 USE EMBOSMENT ON CONNECTOR CREATED BY THESE INDICIA MARKS TO ALIGN OUTSIDE EDGE OF DIE. EMBOSMENT PROVIDES START LOCATION FOR THE NEXT OVERLAPPING CRIMP.

REV: PE0200

TO ORDER BURNDY® PRODUCTS CALL		L - DIE 720W																														
UNITED STATES: 1-800-346-4175 (LONDONDERRY, NH)		ITEM NO: N/A																														
CANADA: 1-800-361-6975 (QUEBEC) 1-800-387-6487 (ALL OTHER PROVINCES)		CAT. NO: L720W																														
FOR PRODUCT INFO: http://www.burndy.com		<table border="1"> <tr> <td>DRAWN BY: R. MURUGESAN</td> <td>1/27/2010</td> <td rowspan="6" style="text-align: center; vertical-align: middle;">BURNDY</td> <td rowspan="6" style="text-align: center; vertical-align: middle;">SCALE: 1:1</td> </tr> <tr> <td>CHECKER: R. ROMAN</td> <td>4/15/2010</td> </tr> <tr> <td>DSN APPVL: R. ROMAN</td> <td>4/15/2010</td> </tr> <tr> <td>MFG APPVL: A. SHLOPAK</td> <td>4/15/2010</td> </tr> <tr> <td>QA APPVL: J. BRODEUR</td> <td>4/21/2010</td> </tr> <tr> <td>MKT APPVL: R. POIRIER</td> <td>4/16/2010</td> </tr> <tr> <td>PROD FAM: TOOLS_HYDRAULIC/L_DIES</td> <td>DRAWING NO</td> <td>REV</td> </tr> <tr> <td>PROJECT #: --</td> <td>SIZE</td> <td>10112340</td> <td>B</td> </tr> <tr> <td>DOCUMENT TYPE: Sales</td> <td>B</td> <td colspan="2">SHEET 1 OF 1</td> </tr> <tr> <td>REL LEVEL: Released</td> <td></td> <td></td> <td></td> </tr> </table>		DRAWN BY: R. MURUGESAN	1/27/2010	BURNDY	SCALE: 1:1	CHECKER: R. ROMAN	4/15/2010	DSN APPVL: R. ROMAN	4/15/2010	MFG APPVL: A. SHLOPAK	4/15/2010	QA APPVL: J. BRODEUR	4/21/2010	MKT APPVL: R. POIRIER	4/16/2010	PROD FAM: TOOLS_HYDRAULIC/L_DIES	DRAWING NO	REV	PROJECT #: --	SIZE	10112340	B	DOCUMENT TYPE: Sales	B	SHEET 1 OF 1		REL LEVEL: Released			
DRAWN BY: R. MURUGESAN	1/27/2010	BURNDY	SCALE: 1:1																													
CHECKER: R. ROMAN	4/15/2010																															
DSN APPVL: R. ROMAN	4/15/2010																															
MFG APPVL: A. SHLOPAK	4/15/2010																															
QA APPVL: J. BRODEUR	4/21/2010																															
MKT APPVL: R. POIRIER	4/16/2010																															
PROD FAM: TOOLS_HYDRAULIC/L_DIES	DRAWING NO	REV																														
PROJECT #: --	SIZE	10112340	B																													
DOCUMENT TYPE: Sales	B	SHEET 1 OF 1																														
REL LEVEL: Released																																