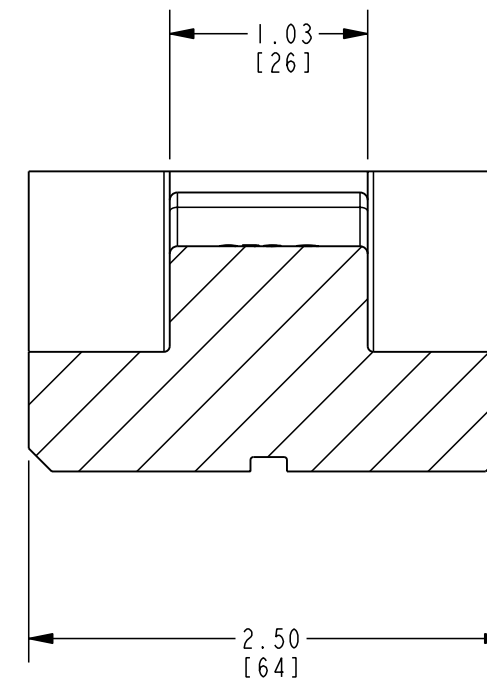
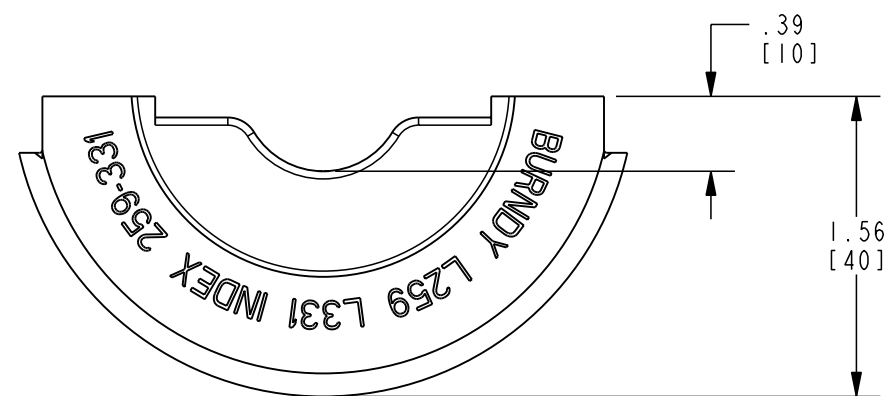
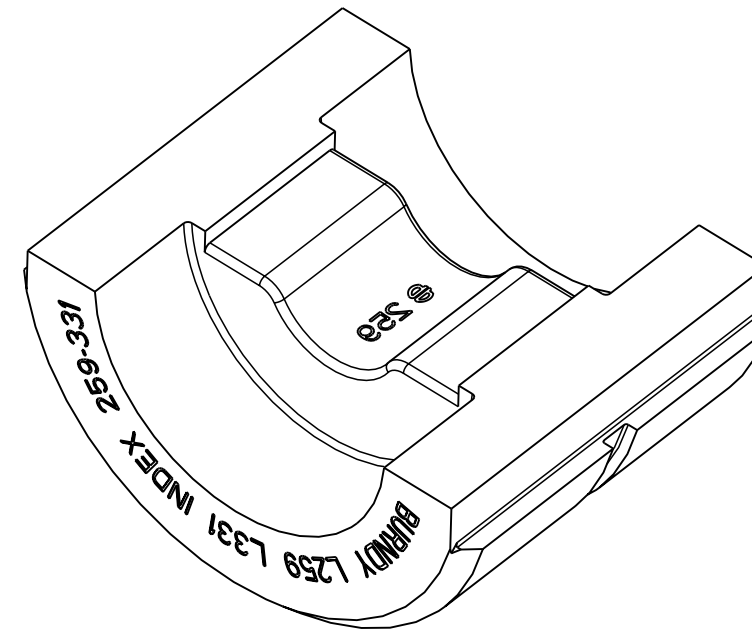
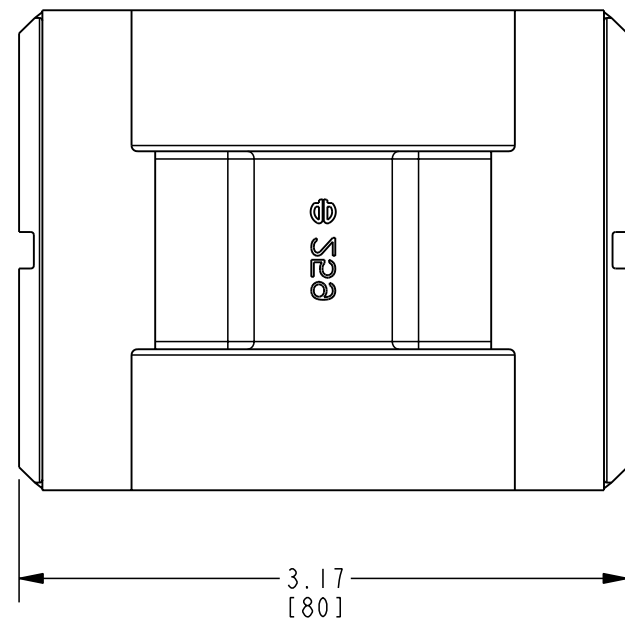


REV.	DATE	DESCRIPTION	ECO	BY	C.H.K.
A	3/2/2010 2:02:00 PM	NEW SALES DRAWING	20380	TRF	RR



NOTES:

1. THIS DRAWING TO BE INTERPRETED PER ASME Y14.5M-1994.
2. FOR USE IN Y60 HYPRESS™.
3. DIMENSIONS IN BRACKETS [] ARE IN MILLIMETERS ROUNDED OFF TO THE NEAREST MILLIMETER, UNLESS OTHERWISE NOTED AND ARE FOR REFERENCE ONLY.

TO ORDER BURNDY® PRODUCTS CALL
 UNITED STATES:
 1-800-346-4175 (LONDONDERRY, NH)
 CANADA:
 1-800-361-6975 (QUEBEC)
 1-800-387-6487 (ALL OTHER PROVINCES)
 FOR PRODUCT INFO: <http://www.burndy.com>

CIRCULAR TWIN DIE	
ITEM NO: 455125	
CAT. NO: L259, L331	
DRAWN BY: T. FAUCHER 02/25/2010	
CHECKER: R. ROMAN 03/02/2010	
DSN APPVL: R. ROMAN 02/22/2010	
MFG APPVL: A. SHLOPAK 02/22/2010	
QA APPVL: J. BRODEUR 03/01/2010	
MKT APPVL: R. POIRIER 02/22/2010	
PROD FAM: TOOLS, HYDRAULIC	SCALE: 1:1
PROJECT #: --	DRAWING NO
DOCUMENT TYPE: Sales	REV
REL LEVEL: Released	
SIZE B	10112472
	SHEET 1 OF 1
	A

REV: PE0200