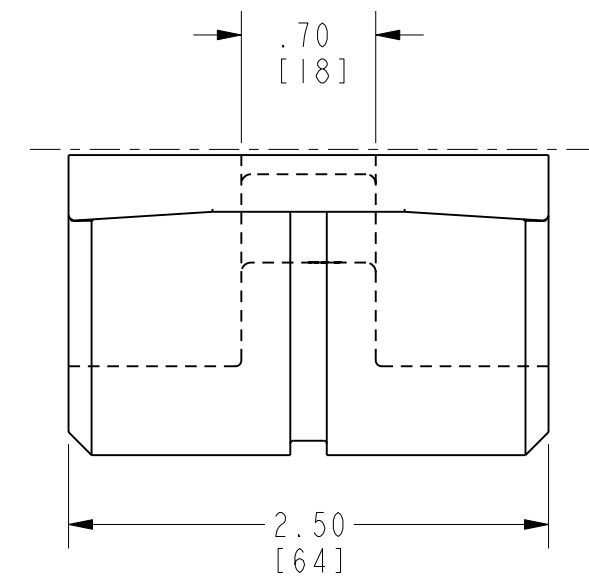
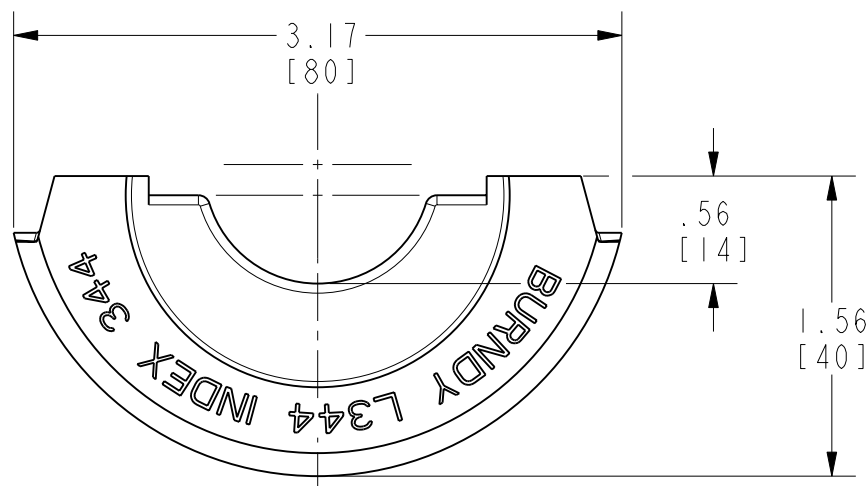
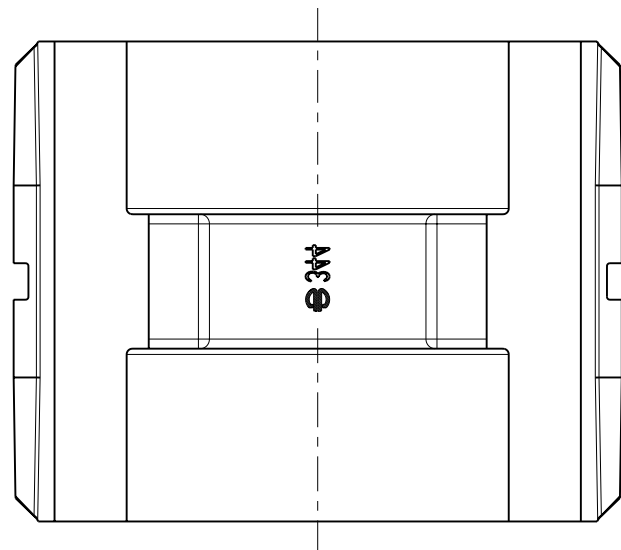


REV.	DATE	DESCRIPTION	ECO	BY	C'H'K.
A	3/2/2010 12:00:00 AM	SALES DRAWING REQUEST	20417	MR	JG



NOTES:

1. DIMENSIONS IN BRACKETS [ ] ARE IN MILLIMETERS ROUNDED OFF TO THE NEAREST MILLIMETER, UNLESS OTHERWISE NOTED, AND ARE FOR REFERENCE ONLY.
2. MATERIAL: STAINLESS STEEL
3. USED ON Y60 HYPRESS™

TO ORDER BURNDY® PRODUCTS CALL  
 UNITED STATES:  
 1-800-346-4175 (LONDONDERRY, NH)  
 CANADA:  
 1-800-361-6975 (QUEBEC)  
 1-800-387-6487 (ALL OTHER PROVINCES)  
 FOR PRODUCT INFO: <http://www.burndy.com>

CIRCULAR TWIN DIE	
ITEM NO: --	
CAT. NO: L344	
DRAWN BY: M RAJASEKARAN 3/02/2010	
CHECKER: R ROMAN 2/26/2010	
DSN APPVL: R ROMAN 2/26/2010	
MFG APPVL: A SHLOPAK 2/26/2010	
QA APPVL: J BRODEUR 3/02/2010	
MKT APPVL: --	
PROD FAM: TOOLS_HYDRAULIC/L_DIES	SCALE: 1:1
PROJECT #: --	DRAWING NO
DOCUMENT TYPE: Sales	10112473
REL LEVEL: Released	B
	SHEET 1 OF 1
	REV A

REV: PE0200