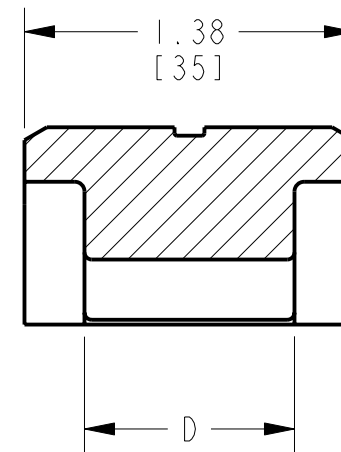
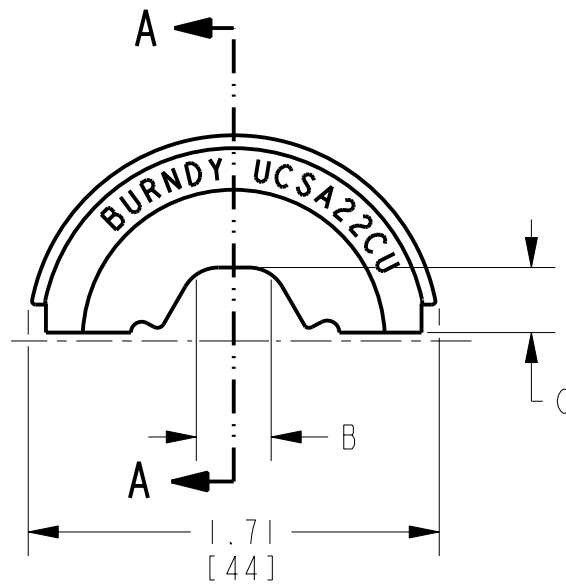
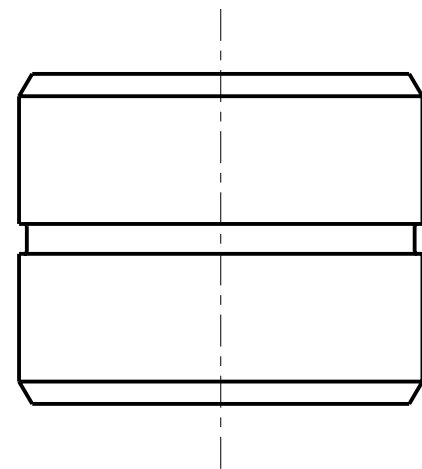
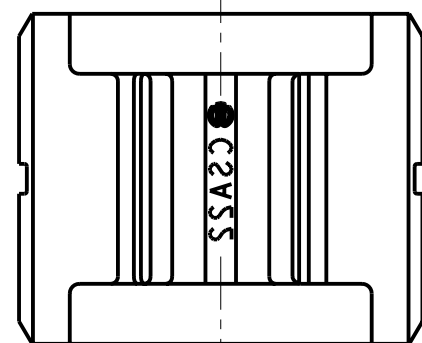
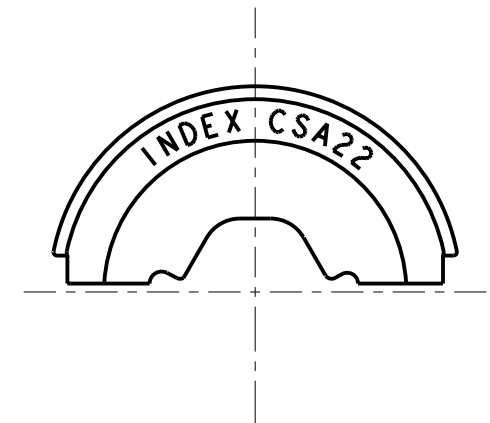


CATALOG NUMBER	DIE INDEX	B	C	D
UCSA22CU	CSA22	.31 [8]	.27 [7]	.88 [22]
UCSA24CU	CSA24	.41 [10]	.35 [9]	.69 [18]
UCSA26CU	CSA26	.50 [13]	.43 [11]	.56 [14]

REV.	DATE	DESCRIPTION	ECO	BY	C'H'K.
A	2/5/2010 12:00:00 AM	CREATE SALES DRAWINGS FOR UCSAXXCU SERIES OF DIES.	20259	RG	MA



SECTION A-A



NOTES:

- DIMENSIONS IN BRACKETS [] DENOTES METRIC UNITS [SI UNITS] AND ARE ROUNDED TO THE NEAREST WHOLE NUMBER. UNLESS OTHERWISE SPECIFIED THESE UNITS SHALL BE USED FOR REFERENCE ONLY.
- DIE INSPECTION PIN GAUGE CATALOG NUMBER (CUSTOMER & ENGINEERING USE ONLY) : N/A
- MATERIAL: STAINLESS STEEL.

TO ORDER BURNDY® PRODUCTS CALL		HEXAGONAL BUTTING TWIN DIES	
UNITED STATES: 1-800-346-4175 (LONDONDERRY, NH)		ITEM NO: --	
CANADA: 1-800-361-6975 (QUEBEC) 1-800-387-6487 (ALL OTHER PROVINCES)		CAT. NO: SEE TABLE	
FOR PRODUCT INFO: http://www.burndy.com		DRAWN BY: C. RAJEEV 02/05/10	
		CHECKER: R. RICHARD 2/9/10	
		DSN APPVL: R. RICHARD 2/9/10	
		MFG APPVL: --	
		QA APPVL: A. CHARLES 2/17/10	
		MKT APPVL: P. ROBERT 2/9/10	
		SCALE: 3:1	
		DRAWING NO	
		PROJECT #: --	
		SIZE	
		10112752	
		DOCUMENT TYPE: Sales	
		REL LEVEL: Released	
		SHEET 1 OF 1	
		REV	
		A	

REV: PE0200