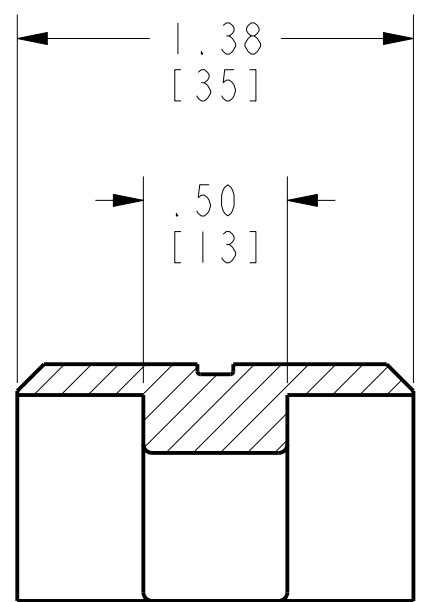
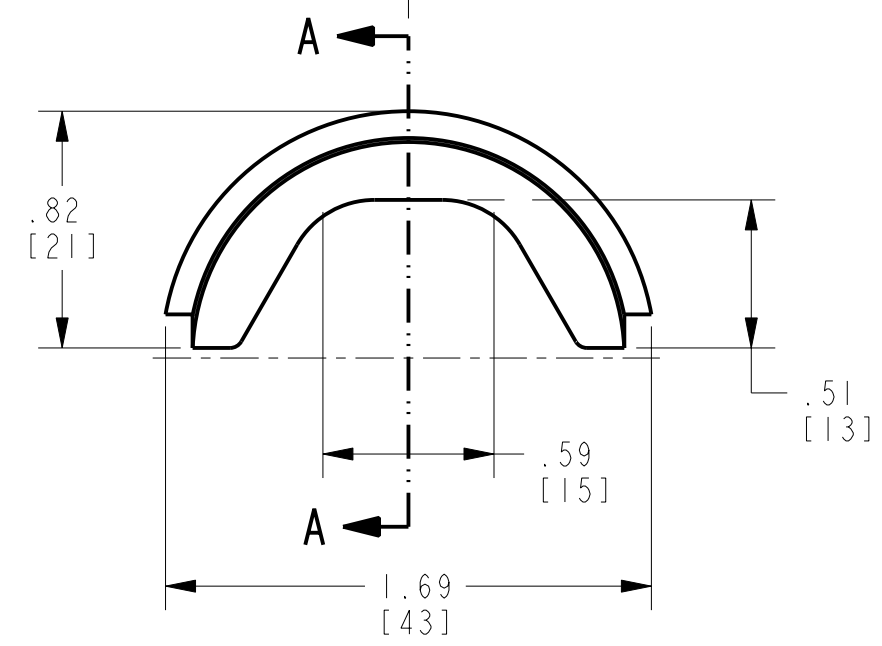
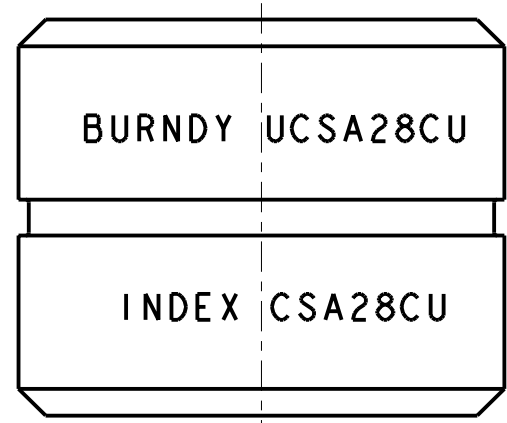
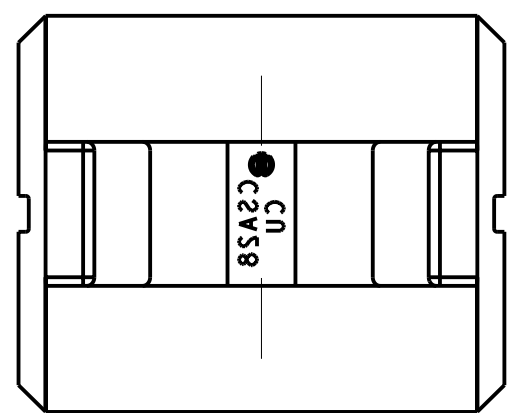
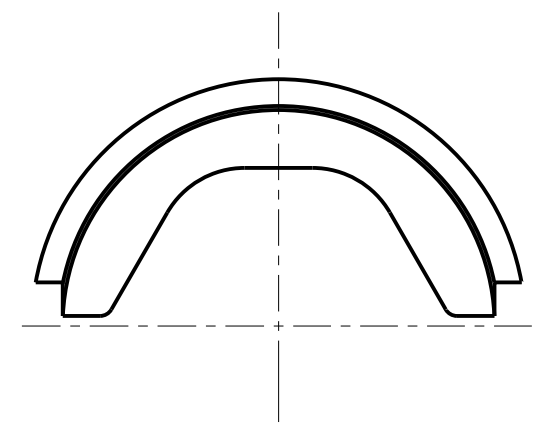


REV.	DATE	DESCRIPTION	ECO	BY	C'H'K.
C	02/27/2015 00:00:00 AM	UPDATED AS PER MARKUP	38679	SPR	MB



SECTION A-A



NOTES:

1. DIMENSIONS IN BRACKETS [] DENOTES METRIC UNITS [SI UNITS] AND ARE ROUNDED TO THE NEAREST WHOLE NUMBER. UNLESS OTHERWISE SPECIFIED THESE UNITS SHALL BE USED FOR REFERENCE ONLY.
2. DIE INSPECTION PIN GAUGE CATALOG NUMBER (CUSTOMER & ENGINEERING USE ONLY) : N/A
3. MATERIAL: STAINLESS STEEL.

TO ORDER BURNDY® PRODUCTS CALL
 UNITED STATES:
 1-800-346-4175 (LONDONDERRY, NH)
 CANADA:
 1-800-361-6975 (QUEBEC)
 1-800-387-6487 (ALL OTHER PROVINCES)
 FOR PRODUCT INFO: <http://www.burndy.com>

HEXAGONAL BUTTING TWIN DIES			
ITEM NO:	--		
CAT. NO:	UCSA28CU		
DRAWN BY:	C. RAJEEV	02/05/10	
CHECKER:	R. RICHARD	2/9/10	
DSN APPVL:	R. RICHARD	2/9/10	
MFG APPVL:	--	--	
QA APPVL:	A. CHARLES	2/17/10	
MKT APPVL:	P. ROBERT	2/9/10	SCALE: 3:1
PROD FAM:	Tools_Hydraulic/u_die	DRAWING NO	REV
PROJECT #:	--	SIZE	10112753
DOCUMENT TYPE:	Sales	B	C
REL LEVEL:	Released	SHEET 1 OF 1	

REV: PE0200