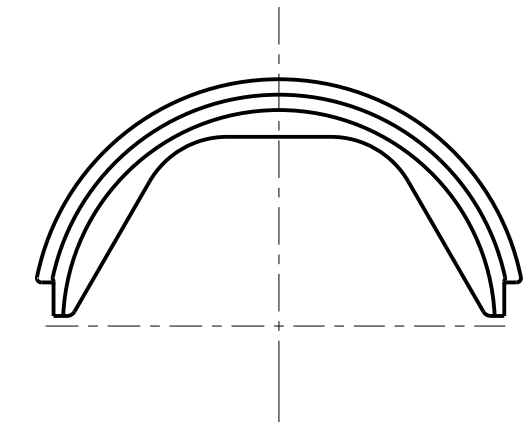
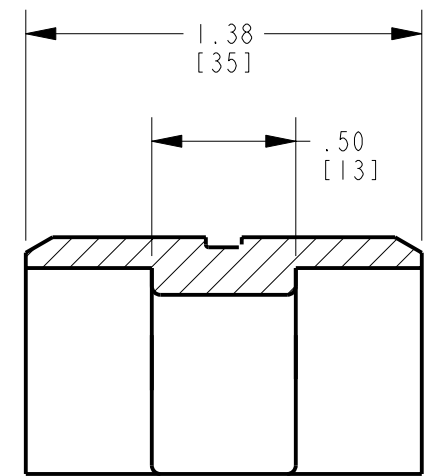
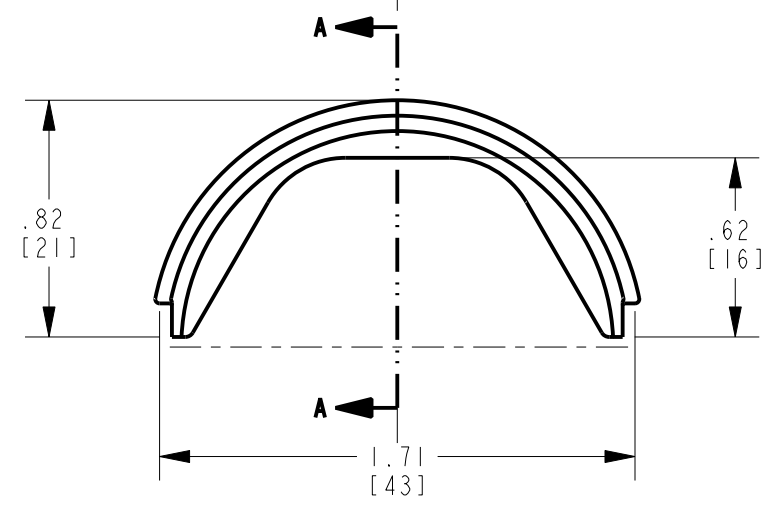
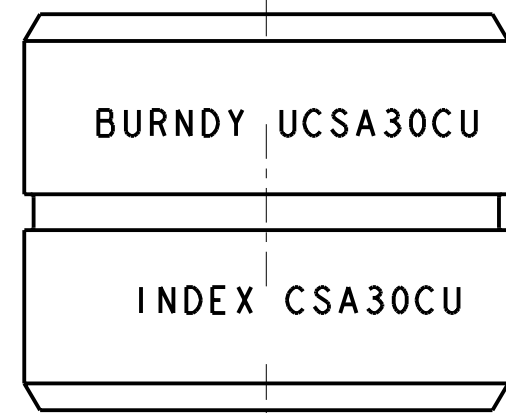
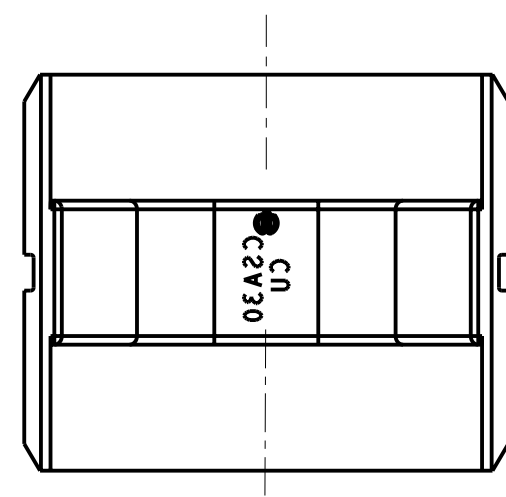


REV.	DATE	DESCRIPTION	ECO	BY	C'H'K.
C	02/12/2015 00:00:00 AM	UPDATED AS PER MARK UP	38679	SPR	MB



SECTION A-A



NOTES:

1. DIMENSIONS IN BRACKETS [] DENOTES METRIC UNITS [SI UNITS] AND ARE ROUNDED TO THE NEAREST WHOLE NUMBER. UNLESS OTHERWISE SPECIFIED THESE UNITS SHALL BE USED FOR REFERENCE ONLY.
2. DIE INSPECTION PIN GAUGE CATALOG NUMBER (CUSTOMER & ENGINEERING USE ONLY) : N/A
3. MATERIAL: STAINLESS STEEL.

TO ORDER BURNDY® PRODUCTS CALL
 UNITED STATES:
 1-800-346-4175 (LONDONDERRY, NH)
 CANADA:
 1-800-361-6975 (QUEBEC)
 1-800-387-6487 (ALL OTHER PROVINCES)
 FOR PRODUCT INFO: <http://www.burndy.com>

HEXAGONAL BUTTING TWIN DIES	
ITEM NO: --	
CAT. NO: UCSA30CU	
DRAWN BY: C. RAJEEV 02/05/10	
CHECKER: R. RICHARD 2/9/10	
DSN APPVL: R. RICHARD 2/9/10	
MFG APPVL: --	
QA APPVL: A. CHARLES 2/17/10	
MKT APPVL: P. ROBERT 2/9/10	
PROD FAM: Tools_Hydraulic/u_die	SCALE: 3:2
PROJECT #: --	DRAWING NO: 10112754
DOCUMENT TYPE: Sales	REV: C
REL LEVEL: Released	SHEET 1 OF 1



REV: PE0200