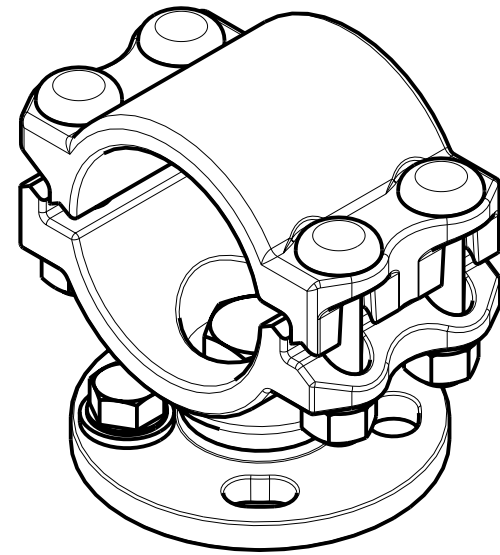
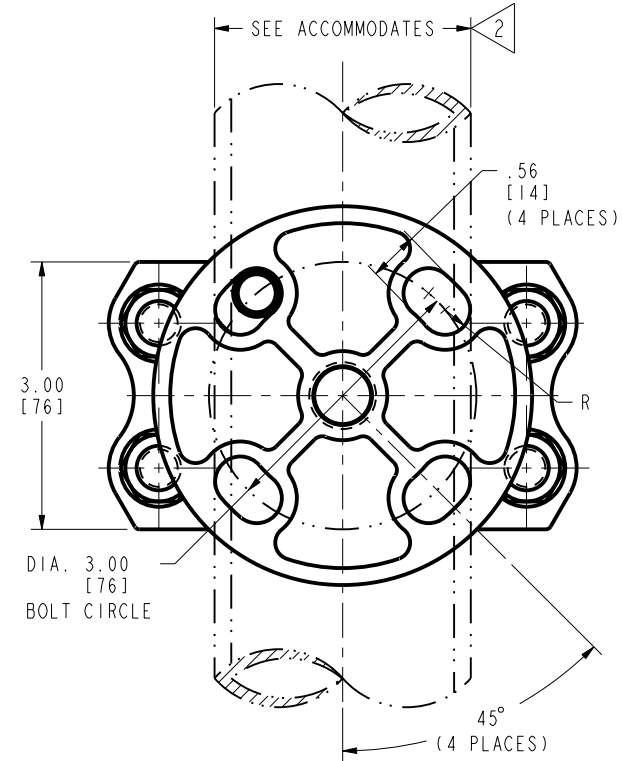
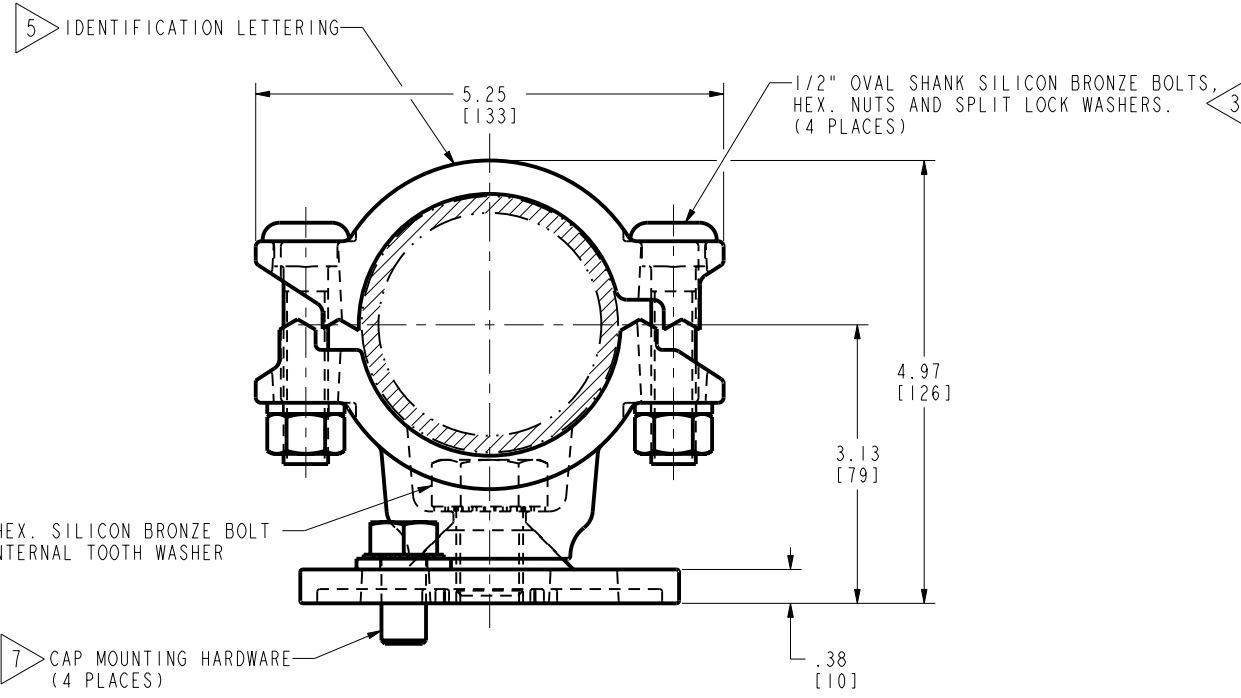


| REV | DATE                  | DESCRIPTION                               | ECO   | BY | C'H'K. |
|-----|-----------------------|---|-------|----|--------|
| A   | 2/25/2010 12:00:00 AM | CREATED DOCUMENTATION FOR CAT. # UH193CG4 | 20314 | NG | NJS    |



ISOMETRIC VIEW  
SCALE 1:1



NOTES:

- 1 MATERIAL: CAST COPPER ALLOY.
- 2 ACCOMMODATES:  
2 1/2" IPS 2.875 [73] DIA. COPPER TUBE.
- 3 NOMINAL INSTALLATION TORQUE  
480 LBS-IN [55 Nm] FOR 1/2" OVAL SHANK ALUMINUM HARDWARE.  
1050 LBS-IN [119 Nm] FOR 3/4" HEX. ALUMINUM HARDWARE.
- 4 DIMENSIONS IN BRACKETS [ ] DENOTES METRIC UNITS [SI UNITS] AND ARE ROUNDED TO THE NEAREST WHOLE NUMBER. UNLESS OTHERWISE SPECIFIED THESE UNITS SHALL BE USED FOR REFERENCE ONLY.
- 5 ALL LETTERING WILL APPEAR ON OUTSIDE OF CASTING.
- 6 THE CONCEPT SHOWN INCORPORATES DESIGN PRINCIPLES WHICH PERMIT OPERATION AT A VOLTAGE GRADIENT NORMALLY ASSOCIATED WITH 138 KV RMS OPERATION PHASE TO PHASE.
- 7 CAP MOUNTING HARDWARE SUPPLIED AS STANDARD. WHEN BASE MOUNTING HARDWARE IS REQUIRED ADD "B" SUFFIX TO THE CATALOG NUMBER. EXAMPLE: UH193CG4B.

|  |  |   |  |
|--|--|---|--|
| TO ORDER BURNDY® PRODUCTS CALL<br>UNITED STATES<br>1-800-346-4175 (LONDONDERRY, NH)<br>CANADA:<br>1-800-361-6975 (QUEBEC)<br>1-800-387-6487 (ALL OTHER PROVINCES)<br>FOR PRODUCT INFO: <a href="http://www.burndy.com">http://www.burndy.com</a> |  | BUS SUPPORT   |  |
|  |  | ITEM NO: --<br>CAT. NO: UH193CG4<br>DRAWN BY: N GOPINATH 02/24/10<br>CHECKER: R LAVOIE 03/24/10<br>DSN APPVL: R LAVOIE 03/24/10<br>MFG APPVL: T WAWRZYNIAK 04/08/10<br>QA APPVL: J HILLMAN 03/30/10<br>MKT APPVL: V TORRES 04/26/10 | SCALE: 1:1<br>PROD FAM: SUBSTATION<br>PROJECT #: --<br>DOCUMENT TYPE: Sales<br>REL LEVEL: Released |
|  |  | DRAWING NO<br>10112755  | REV<br>A   |
|  |  | SHEET 1 OF 1  |  |

REV: PE0200