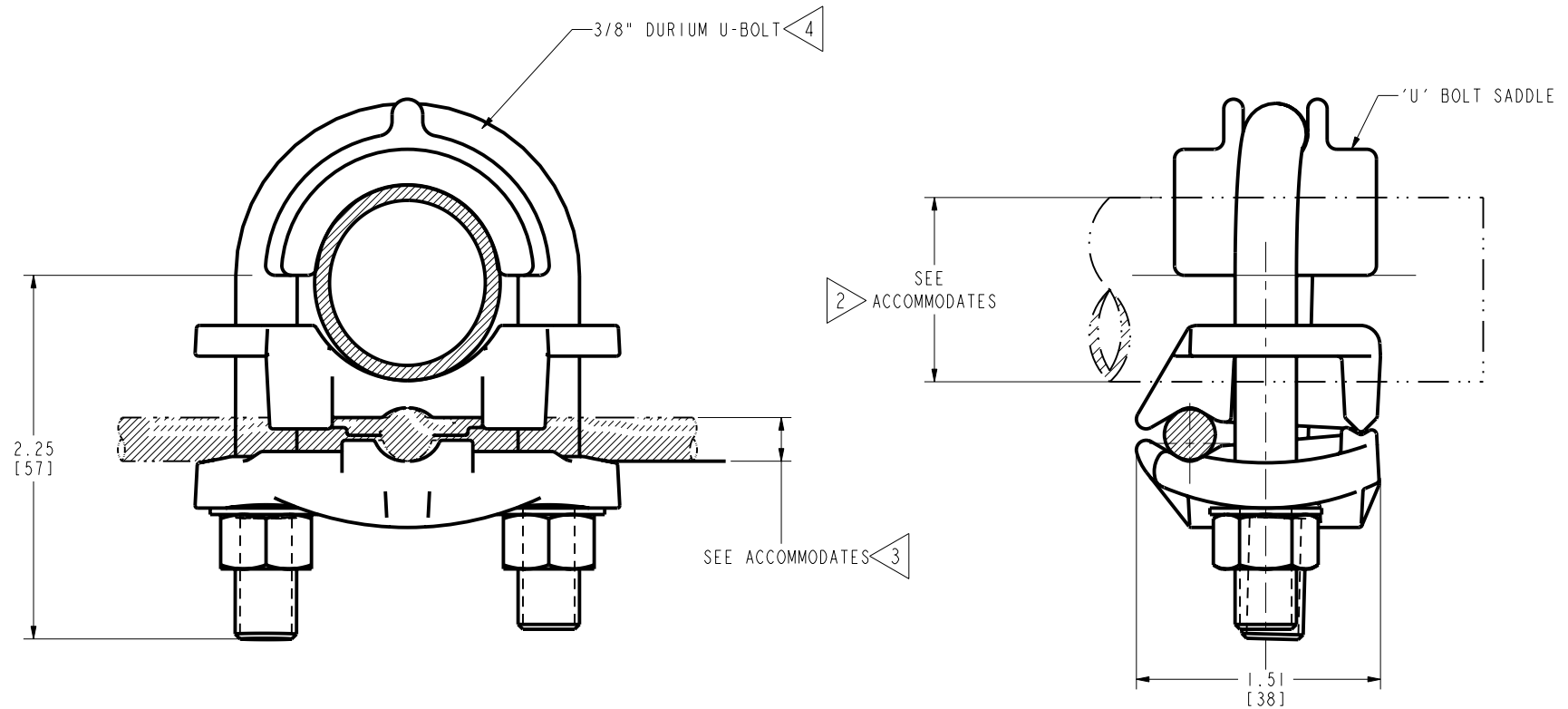


DRAWING NO.
10112761

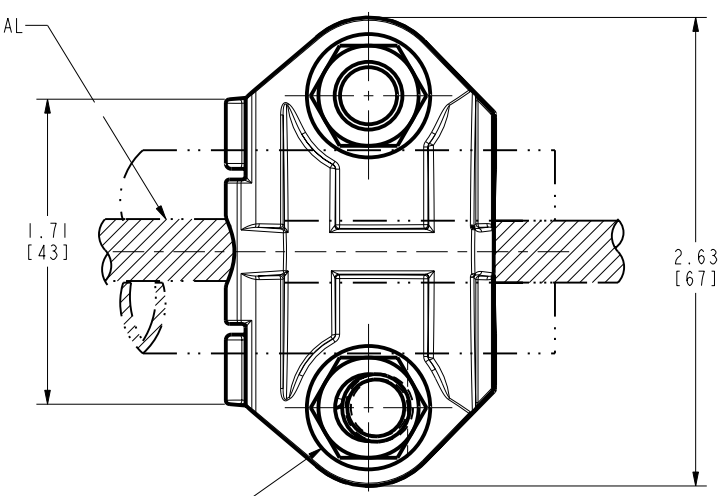
REV	DATE	DESCRIPTION	ECO	BY	C'H'K.
A	2/18/2010 8:03:00 PM	CREATED DRAWING IN PROE UNSCHEDULED ORDER	20362	NJS	PW



SEE ACCOMMODATES 3

SEE ACCOMMODATES 2

CABLE IN OPTIONAL POSITION



3/8" DIA. HEX. SILICON BRONZE NUTS AND SILICON BRONZE INTERNAL TOOTH LOCKWASHERS. (2 PLACES)

NOTES:

- 1 MATERIAL: CAST COPPER.
- 2 ACCOMMODATES: 1" COPPER WATER TUBE 1.125 [29] DIA.
- 3 ACCOMMODATES: 2/0 STR. 10.64 [419] COPPER CABLE.
- 4 NOMINAL BOLT INSTALLATION TORQUE 240 LBS-IN [28 Nm] FOR 3/8" SILICON BRONZE HARDWARE.
5. APPLICATION: WATER PIPE THAWING BY TEMPORARY APPLICATION OF ELECTRIC CURRENT.
6. DIMENSIONS IN BRACKETS [] ARE IN MILLIMETERS, ROUNDED OFF TO THE NEAREST MILLIMETER, UNLESS OTHERWISE NOTED. METRIC DIMENSIONS ARE FOR REFERENCE ONLY.

TO ORDER BURNDY® PRODUCTS CALL UNITED STATES 1-800-346-4175 (LONDONDERRY, NH) CANADA: 1-800-361-6975 (QUEBEC) 1-800-387-6487 (ALL OTHER PROVINCES) FOR PRODUCT INFO: http://www.burndy.com		GROUND CLAMP	
		ITEM NO: --	SCALE: 2:1
CAT. NO: GAR655CG1		DRAWING NO	
DRAWN BY: N GOPINATH 02/05/10		REV	
CHECKER: V ANAND 03/02/2010		10112761	
DSN APPVL: P WASON 02/23/2010		A	
MFG APPVL: G KELLY 02/23/2010		SHEET 1 OF 1	
QA APPVL: J HILLMAN 02/23/2010			
MKT APPVL: P THERRIEN 02/23/2010			
PROJ #:	SIZE		
PROJECT #:	D		
DOCUMENT TYPE: Sales			
REL LEVEL: Released			

REV: PE0200