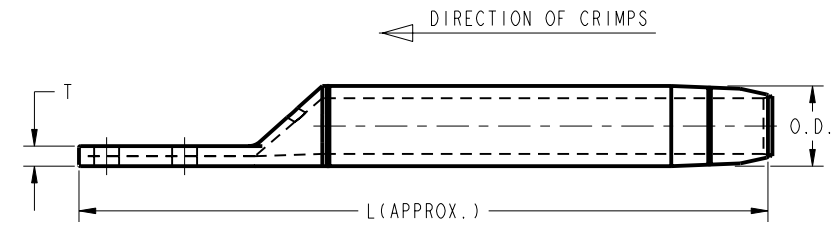
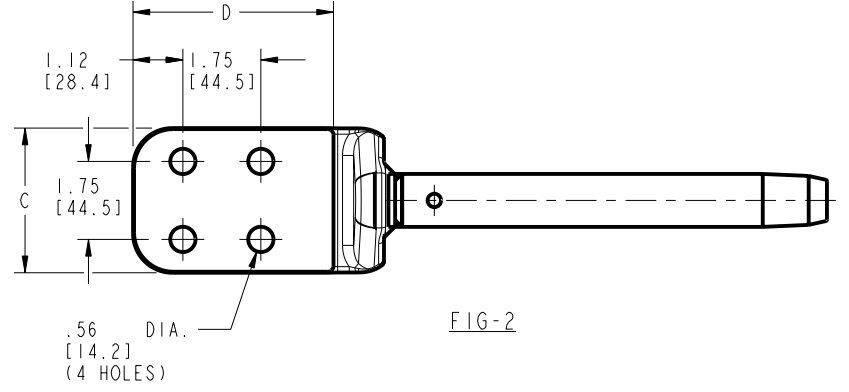
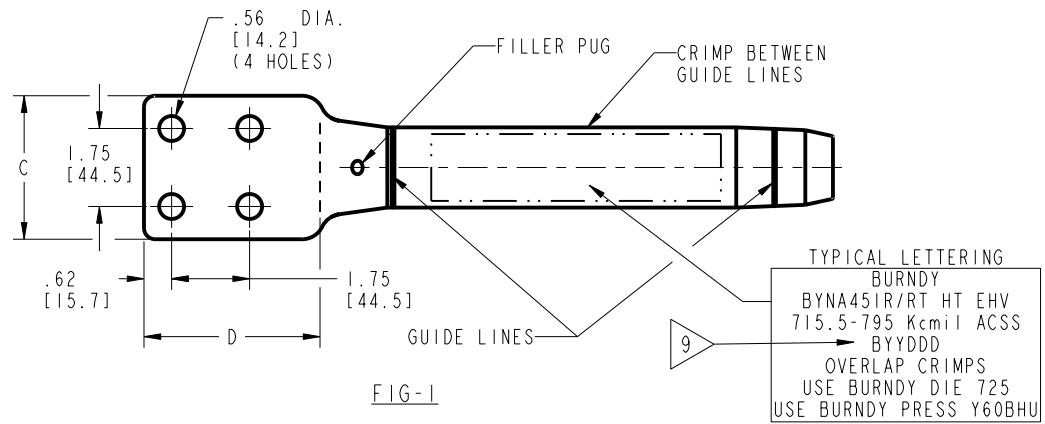


DRAWING NO.
10113638

CONDUCTOR ACSS	ITEM NUMBER	CATALOG NUMBER	FIG. NO.	HARDWARE KIT	C	D	(L)	O.D	T	INSTALLATION TOOLING OVERLAP CRIMPS								
										BURNDY [®] HYPRESS [™] & DIE SET		ALCOA PRESS		T & B DIE SET		ACA DIES & PRESS		
										DIE INDEX	Y60B	150B	H2H	T & B 21940 TYPE PRESS	60 TON PRESS	100 TON PRESS		
300-336.4 Kcmil ACSS	10113641 10113642	BYNA32RTHHT BYNA32RTHT	2	TMH9	3.25 [82.5]	4.50 [114.3]	16.56 [420.6]	1.19 [30.2]	.75 [19.0]	717	L717	M717	H717	96	--	--		
397.5 Kcmil ACSS	10113643 10113644	BYNA34RTHHT BYNA34RTHT	2	TMH9	3.25 [82.5]	4.50 [114.3]	16.60 [421.6]	1.30 [33.0]	.75 [19.0]	719	L719	M719	H719	106	6020AH	10020AH		
477 Kcmil ACSS	10113780 10113781	BYNA36RTHHT BYNA36RTHT	2	TMH9	3.25 [82.5]	4.50 [114.3]	16.92 [429.8]	1.41 [35.7]	.75 [19.0]	720	L720	M720	H720	115	--	--		
556.5 Kcmil ACSS	10113782 10113783	BYNA39RTHHT BYNA39RTHT	2	TMH9	3.25 [82.5]	4.50 [114.3]	17.30 [439.4]	1.50 [38.1]	.75 [19.0]	722	L722	M722	H722	125	6024AH	10024AH		
605-666.6 Kcmil ACSS	10113784 10113785	BYNA43RTHHT BYNA43RTHT	1	TMH4	3.07 [78.0]	3.95 [100.3]	15.46 [392.7]	1.61 [40.9]	.36 [9.1]	724	L724	M724	H724	140	--	--		
715.5-795 Kcmil ACSS	10113786 10113787	BYNA45IRTHHT BYNA45IRTHT	1	TMH24	3.22 [81.8]	3.95 [100.3]	15.46 [392.7]	1.80 [45.7]	.45 [11.4]	725	L725	M725	H725	150	--	--		
900-1113 Kcmil 45-7 STR ACSS	10113788 10113789	BYNA49RTHHT BYNA49RTHT	1	TMH24	3.22 [81.8]	3.95 [100.3]	15.66 [397.8]	1.97 [50.0]	.52 [13.2]	727	L727	M727	H727	161	6030AH	10030AH		
1113 54-19 STR-1351.5 Kcmil ACSS	10094583 10113790	BYNA52RTHHT BYNA52RTHT	1	TMH9	3.22 [81.8]	3.95 [100.3]	18.71 [475.2]	2.25 [57.2]	.71 [18.0]	728	L728	M728	H728	189	6036AH	10036AH		
1431 Kcmil ACSS	10113791 10113792	BYNA54RTHHT BYNA54RTHT	1	TMH9	3.22 [81.8]	3.95 [100.3]	18.68 [474.5]	2.25 [57.2]	.71 [18.0]	728	L728							
1510.5-1590 Kcmil ACSS	10113793 10113794	BYNA56RTHHT BYNA56RTHT	1	TMH9	3.44 [87.4]	3.95 [100.3]	18.65 [473.7]	2.50 [63.5]	.86 [21.8]	729	L729	M729	H729	204	6040AH	10040AH		
1780 Kcmil ACSS	30001265 10113796	BYNA58RTHHT BYNA58RTHT	1	TMH9	3.47 [88.1]	3.95 [100.3]	18.59 [472.2]	2.50 [63.5]	.80 [20.3]	735	L735	M735	H735	212, 214				
2156-2167 Kcmil ACSS	10113797 10113798	BYNA59RTHHT BYNA59RTHT	1	TMH9	3.57 [90.7]	3.95 [100.3]	18.43 [468.1]	2.50 [63.5]	.64 [15.3]	735	L735			214	--	--		

REV	DATE	DESCRIPTION	ECO	BY	C'H'K.
C	07/17/2013 00:00:00 AM	T&B & ACA PRESS, COLUMNS ADDED IN THE TABLE UNDER INSTALLATION DATA OVERLAP CRIMPS	32502	MM	SP

- NOTES:
- MATERIAL:
CONNECTOR, ALUMINUM ALLOY, NO-OX-ID COATED
ALUMINUM FILLER PUG
HARDWARE:
BOLTS, ALUMINUM ALLOY WAX COATED
NUTS AND FLAT WASHERS, ALUMINUM ALLOY
RESILIENT WASHERS, GALVANIZED STEEL
 - RECOMMENDED TORQUE:
1/2" DIA. ALUMINUM BOLTS, 300 IN-LB. [34 NM].
 - DESIGNED FOR CORONA FREE OPERATION TO 230 KV WITH NO ACCESSORIES.
 - FLASH FORMED DURING CRIMPING SHOULD BE REMOVED BY FILLING, AND SHARP CORNERS ROUNDED OFF. THE BARREL PORTION OF THIS CONNECTOR WILL OPERATE QUIETER THAN THE CONDUCTOR AT EXTRA HIGH VOLTAGES.
 - CONNECTOR IS INDIVIDUALLY PACKAGED AND SEALED IN POLYTUBE.
 - CONNECTOR SHALL BE SHIPPED UNASSEMBLED.
 - PENETROX[™] PENHT IS REQUIRED FOR INSTALLATION. PENETROX[™] PENHT IS NOT PROVIDED WITH THE CONNECTOR AND IS PURCHASED SEPARATELY.
 - INSTALLATION TOOLING IS PURCHASED SEPARATELY.
 - LOCATION AND DATE CODE (B=LOCATION, YY=YEAR, DDD=DAY).
 - INSTALLATION INSTRUCTION FORMI0085255 (10085256).
 - DIMENSIONS IN BRACKETS [] ARE IN MILLIMETERS, AND ARE FOR REFERENCE ONLY.
 - THE DIES LISTED ARE MANUFACTURED BY BURNDY[®] CORP. FOR USE IN ALCOA H2H&I50B PRESSES.
 - THE EQUIVALENT T&B DIE INDEXES ARE LISTED FOR YOUR CONVENIENCE.



TO ORDER BURNDY [®] PRODUCTS CALL		0 DEG. HYLUG [™] & HARDWARE FOR ACSS, EHV	
UNITED STATES		ITEM NO: SEE TABLE	
1-800-346-4175 (LONDONDERRY, NH)		CAT. NO: SEE TABLE	
CANADA:		DRAWN BY: AUGUSTIN 03/10/10	
1-800-361-6975 (QUEBEC)		CHECKER: --	
1-800-387-6487 (ALL OTHER PROVINCES)		DSN APPVL: P WALTZ 08/02/13	
FOR PRODUCT INFO: http://www.burndy.com		MFG APPVL: --	
		QA APPVL: C ACKERMAN 08/22/13	
		MKT APPVL: B CRUTCHER 09/04/13	
		SCALE: 0.500	
		PROJ. #: --	
		SIZE: D	
		DRAWING NO: 10113638	
		SHEET 1 OF 1	
		REV: C	

REV: PE0200