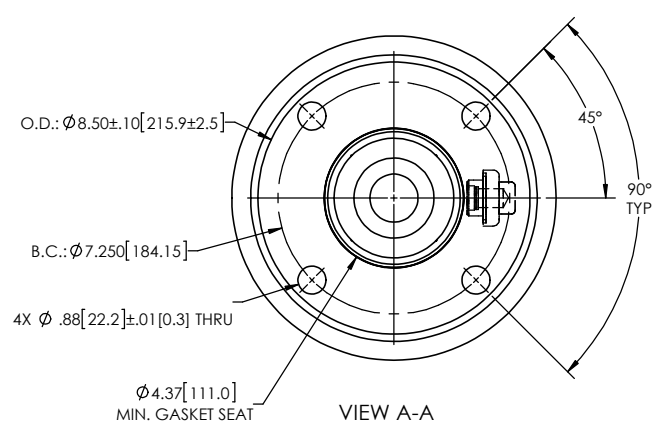
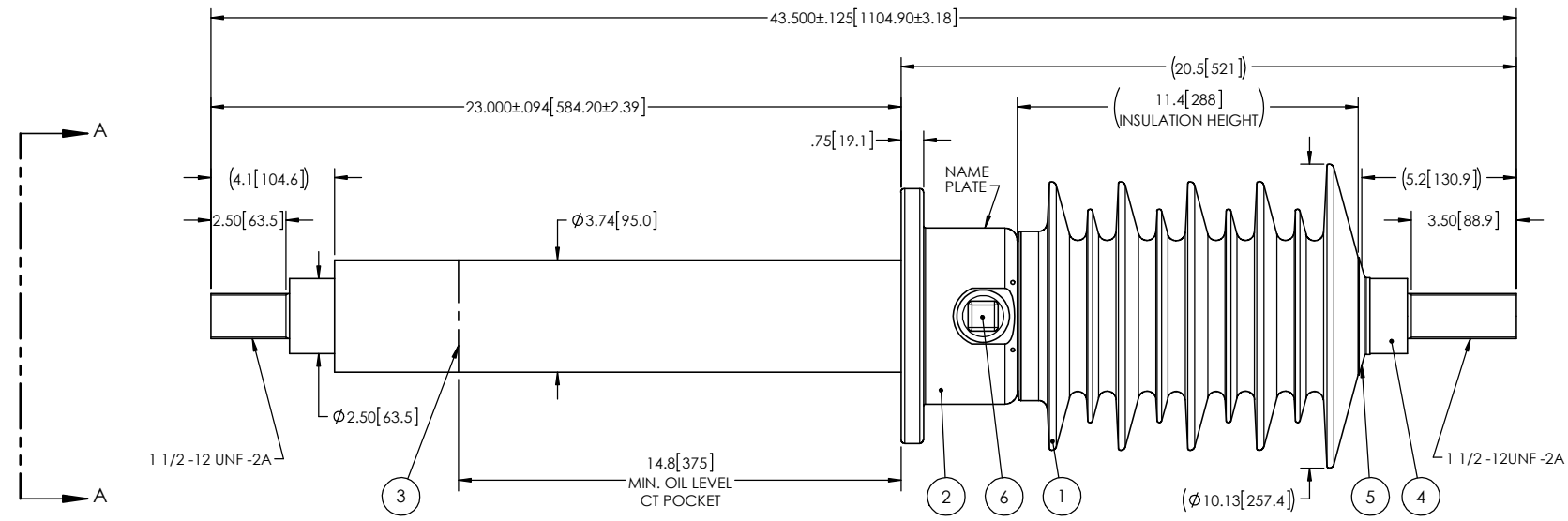


NOTES:

- 1 CREEPAGE DISTANCE: 34.8" / 884mm
- 2 ARC DISTANCE: 14.5" / 368mm
- 3 NOMINAL VOLTAGE: 25kV
- 4 NOMINAL CURRENT: 3000A
- 5 VOLTAGE WITHSTAND, 60 sec.: 60kV
- 6 BIL: 150kV
- 7 ROUTINE TEST ACCORDING TO: IEEE C57.19.01
- 8 MAX. TORQUE APPLIED ON FLANGE BOLTS: 40 lbf·ft / 54.2 N·m
- 9 WEIGHT: 100 lb / 45.4 kg
- 10 MAXIMUM CURRENT LIMITED TO 2000A WHEN INSTALLED IN A BUS DUCT

REVISIONS					
ZONE	REV.	DESCRIPTION	DRAWN BY	DATE	APPR.



ITEM NO.	QTY	DRAWING NO.	PART NO.	DESCRIPTION	NOTE / MAT'L
6	1	S-1001-2022		CAPACITANCE TAP ASSEMBLY	ALUMINUM
5	1	S-3692-2417-0		CAP	COPPER
4	1	S-1722-9707		ROD ASSEMBLY	COPPER
3	1	S-6510-9663		SHIELD ASSEMBLY	COPPER
2	1	S-4772-4103		FLANGE	ALUMINUM
1	1	S-1722-9706	-001	CASTING, CYCLOALIPHATIC RESIN	EC-APG-02

PARTS LIST					
GENERAL TOLERANCES (UNLESS OTHERWISE SPECIFIED) X. ±0.125 .X ±0.094 .XX ±0.063 .XXX ±0.031 ANGLES ±0.25° RADIUS ±0.031			Electro Composites solid HV bushings solution		
REMOVE BURRS AND BREAK SHARP EDGES DIMENSIONS ARE IN INCHES (UNLESS OTHERWISE SPECIFIED)			TITLE: SDC® BUSHING 25kV, 3000A MODEL: 150-030-T-1026-00		
DRAWN BY: M. FORGET		DATE: 2018/05/24		FORMAT: A	REVISION: NR
PROJECT ENG.:		DRAWING NO. S-1722-9706		GENERATED BY: SolidWorks 2013	
PROJECT MANAGER:		SCALE: 1:6		SHEET: 1 of 1	

This drawing is the proprietary property of Electro Composites (2008) ULC, not part of the public domain, and is issued with the express understanding and agreement that it is not to be reproduced or copied in whole or in part or issued for furnishing information to others, or used directly or indirectly, in any way detrimental to the interest of Electro Composites (2008) ULC and is to be returned upon request by Electro Composites (2008) ULC. All Rights Reserved.