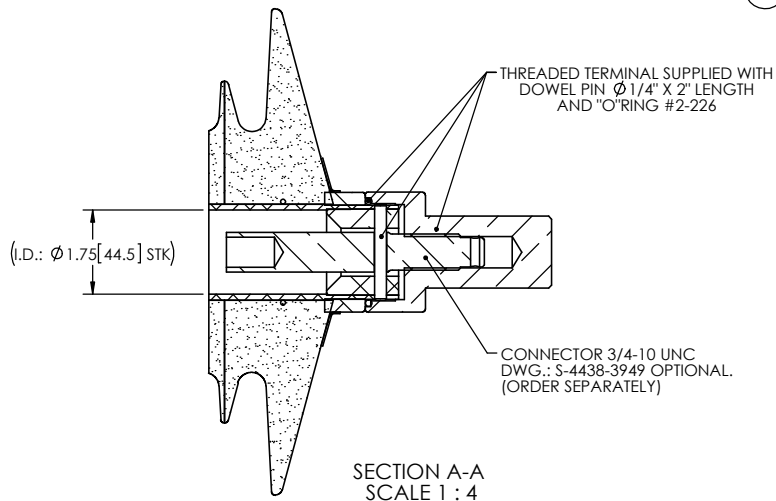
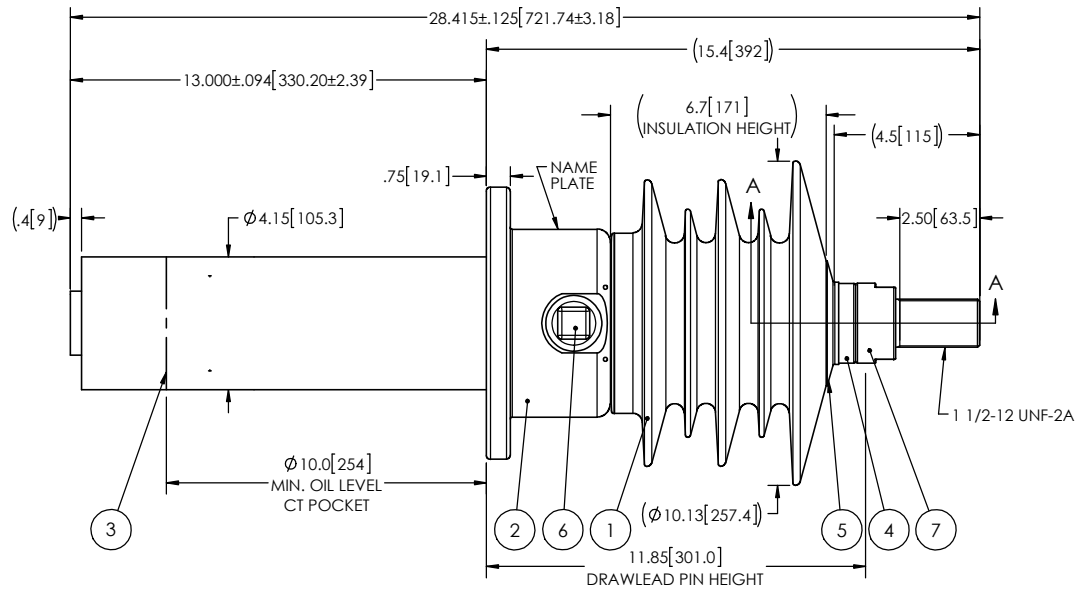
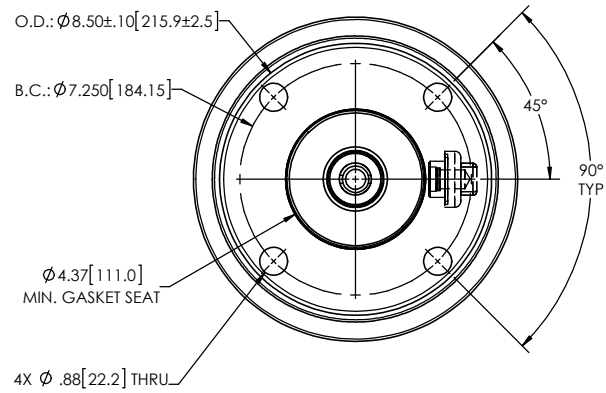


NOTES:

- 1 CREEPAGE DISTANCE: 20.8" / 528mm
- 2 ARC DISTANCE: 9.9" / 252mm
- 3 NOMINAL VOLTAGE: 15kV
- 4 NOMINAL CURRENT: 400A
- 5 VOLTAGE WITHSTAND, 60 sec.: 50kV
- 6 BIL: 110kV
- 7 ROUTINE TEST ACCORDING TO: CSA C88.1-96
- 8 MAX. TORQUE APPLIED ON FLANGE BOLTS: 40 lbf·ft / 54.2 N·m
- 9 WEIGHT: 37 lb / 16.8 kg

REVISIONS					
ZONE	REV.	DESCRIPTION	DRAWN BY	DATE	APPR.
F5	A	ROUTINE TEST CHANGE FROM CSA C88.1-2018 TO CSA C88.1 -96	M. FORGET	2019-11-27	Y.V.



ITEM NO.	QTY	DRAWING NO.	PART NO.	DESCRIPTION	NOTE / MAT'L
7	1	S-7489-9950-0		THREADED TERMINAL KIT	COPPER
6	1	S-1001-2022		CAPACITANCE TAP ASSEMBLY	ALUMINUM
5	1	S-3692-2417-1		CAP	ALUMINUM
4	1	S-7489-9948		DRAWLEAD ASSEMBLY	ALUMINUM
3	1	S-7738-7281		SHIELD ASSEMBLY	COPPER
2	1	S-4772-4103		FLANGE	ALUMINUM
1	1	S-7489-9908	-001	CASTING, CYCLOALIPHATIC RESIN	EC-APG-02

PARTS LIST					
GENERAL TOLERANCES (UNLESS OTHERWISE SPECIFIED) X. ± 0.125 .X ± 0.094 .XX ± 0.063 .XXX ± 0.031 ANGLES $\pm 0.25^\circ$ RADIUS ± 0.031			Electro Composites solid HV bushings solution TITLE: SDC® BUSHING 15kV, 400A MODEL: 110-004-T-1043-01		
DRAWN BY: M. FORGET CHECK BY: PROJECT ENG.: PROJECT MANAGER:	DATE: 2019/05/27	FORMAT: A SCALE: 1:6	CAGE CODE: DRAWING NO.: S-7489-9908	REVISION: A SHEET: 1 of 1	GENERATED BY: SolidWorks 2013

REMOVE BURRS AND BREAK SHARP EDGES
 DIMENSIONS ARE IN INCHES (UNLESS OTHERWISE SPECIFIED)

This drawing is the proprietary property of Electro Composites (2008) ULC, not part of the public domain, and is issued with the express understanding and agreement that it is not to be reproduced or copied in whole or in part or issued for furnishing information to others, or used directly or indirectly, in any way detrimental to the interest of Electro Composites (2008) ULC and is to be returned upon request by Electro Composites (2008) ULC. All Rights Reserved.