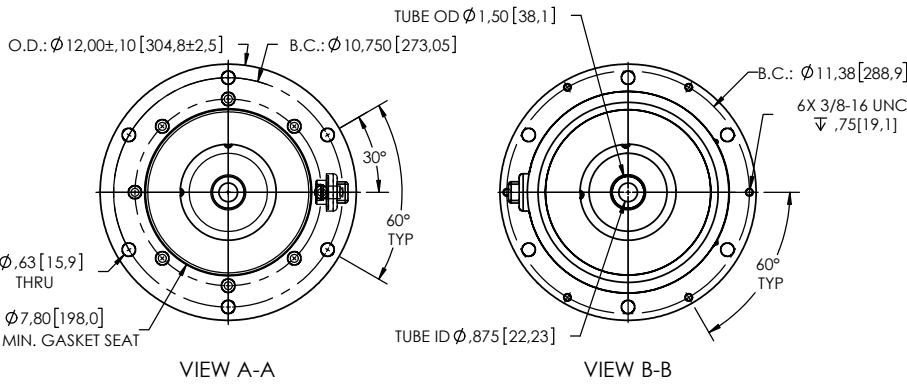
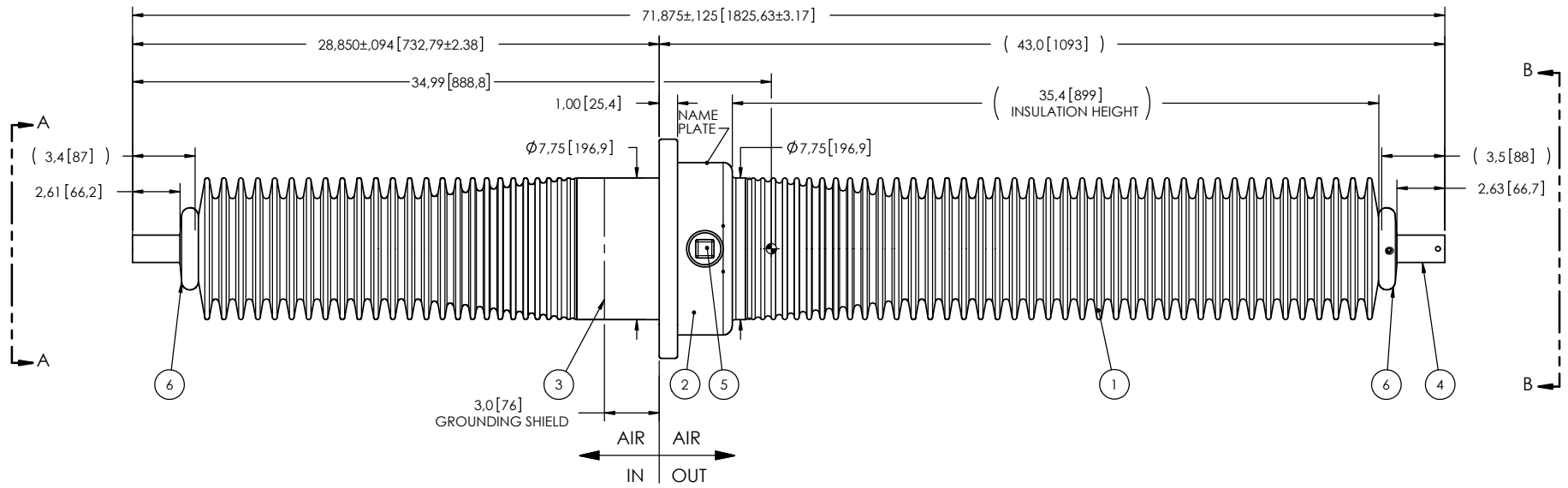


NOTES:

- 1 CREEPAGE DISTANCE: IN: 54.3" / 1380mm OUT: 93.2" / 2368mm
- 2 ARC DISTANCE: IN: 24.0" / 610mm OUT: 37.2" / 946mm
- 3 NOMINAL VOLTAGE: 72.5kV
- 4 NOMINAL CURRENT: 1200A
- 5 VOLTAGE WITHSTAND, 60 sec.: 160kV  $\Delta$
- 6 BIL: 350kV
- 7 ROUTINE TEST ACCORDING TO: IEC 60137: 2017
- 8 WEIGHT: 194 lb / 88 kg
- 9 MAX. TORQUE APPLIED ON FLANGE BOLTS: 70 lbf·ft / 94.9 N·m

REVISIONS

ZONE	REV.	DESCRIPTION	DRAWN BY	DATE	APPR.
A1, B2	A	NOMINAL VOLTAGE WAS 69KV AND ROUTINE TEST IEEE BECOMES IEC	M. FORGET	2020-04-14	J.V.



ITEM NO.	QTY	DRAWING NO.	PART NO.	DESCRIPTION	NOTE / MAT'L
6	2	S-2878-4854		CORONA RING STYLE CAP	ALUMINUM
5	1	S-1001-2022		CAPACITANCE TAP ASSEMBLY	ALUMINUM
4	1	S-1243-10099		TUBE ASSEMBLY	COPPER
3	1	S-6491-6574		SHIELD ASSEMBLY	BRASS
2	1	S-6058-5795		FLANGE	ALUMINUM
1	1	S-1243-10098	-001	CASTING, CYCLOALIPHATIC RESIN	EC-APG-02

PARTS LIST

GENERAL TOLERANCES (UNLESS OTHERWISE SPECIFIED)

- X. ±0.125
- .X ±0.094
- .XX ±0.063
- .XXX ±0.031
- ANGLES ±0.25°
- RADIUS ±0.031

REMOVE BURRS AND BREAK SHARP EDGES  
DIMENSIONS ARE IN INCHES (UNLESS OTHERWISE SPECIFIED)

**ElectroComposites™**  
**solid HV bushings solution**

TITLE: SDC® BUSHING 72.5kV, 1200A  $\Delta$   
MODEL: 350-012-W-1059-00

DRAWN BY: M. FORGET	DATE: 2020/03/06	FORMAT: A	CAGE CODE	DRAWING NO.: S-1243-10098	REVISION: A
CHECK BY:		SCALE: 1:9	GENERATED BY: SolidWorks 2013	SHEET: 1 of 1	
PROJECT ENG.:					
PROJECT MANAGER:					

This drawing is the proprietary property of Electro Composites (2008) ULC, not part of the public domain, and is issued with the express understanding and agreement that it is not to be reproduced or copied in whole or in part or issued for furnishing information to others, or used directly or indirectly, in any way detrimental to the interest of Electro Composites (2008) ULC and is to be returned upon request by Electro Composites (2008) ULC. All Rights Reserved.