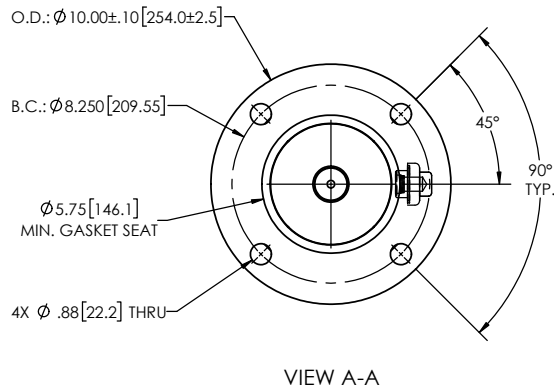
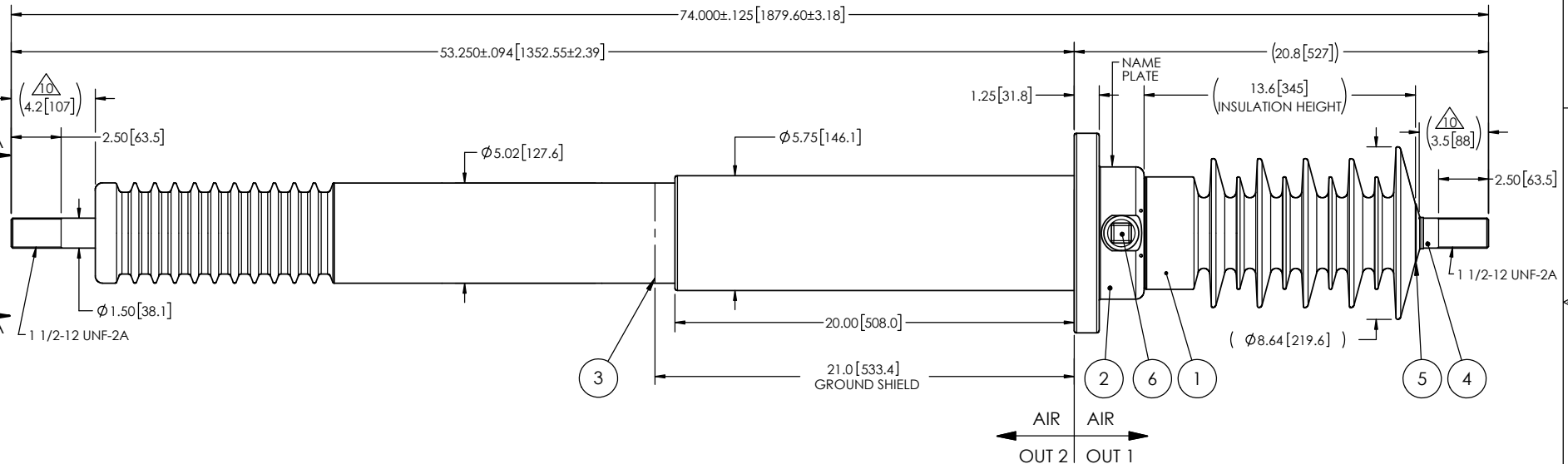


NOTES:

- 1 CREEPAGE DISTANCE: OUT 2: 36.7" / 933mm OUT 1: 37.6" / 956mm
- 2 ARC DISTANCE: OUT 2: 30.6" / 778mm OUT 1: 15.8" / 403mm
- 3 NOMINAL VOLTAGE: 35kV DC
- 4 NOMINAL CURRENT: 1200A
- 5 VOLTAGE WITHSTAND, 60 sec.: 80kV
- 6 BIL: 170kV
- 7 ROUTINE TEST ACCORDING TO: IEC 62199
- 8 MAX. TORQUE APPLIED ON FLANGE BOLTS: 40 lbf·ft / 54.2 N·m
- 9 WEIGHT: 140 lb / 63.5 kg

10 SILVER PLATED, AS PER ASTM B700, TYPE 1, GRADE D, CLASS N, NO NICKEL LAYER, FROM 13 TO 20 MICROMETERS THICKNESS

REVISIONS					
ZONE	REV.	DESCRIPTION	DRAWN BY	DATE	APPR.



ITEM NO.	QTY	DRAWING NO.	PART NO.	DESCRIPTION	NOTE / MAT'L
6	1	S-1001-2022		CAPACITANCE TAP ASSEMBLY	ALUMINUM
5	1	S-1001-0007		CAP	COPPER
4	1	S-4038-10253		ROD ASSEMBLY	COPPER
3	1	S-4038-10252		SHIELD ASSEMBLY	COPPER
2	1	S-4038-10263		FLANGE	ALUMINUM
1	1	S-4038-10251	-001	CASTING, CYCLOALIPHATIC RESIN.	EC-APG-02

PARTS LIST

GENERAL TOLERANCES (UNLESS OTHERWISE SPECIFIED)

X.	±0.125
.X	±0.094
.XX	±0.063
.XXX	±0.031
ANGLES	±0.25°
RADIUS	±0.031

REMOVE BURRS AND BREAK SHARP EDGES

DIMENSIONS ARE IN INCHES (UNLESS OTHERWISE SPECIFIED)

Electro Composites™
solid HV bushings solution

TITLE:
SDC® BUSHING 35kV DC, 1200A
MODEL: 170-012-D-1076-00

DRAWN BY: M. FORGET	DATE: 2021/03/12	FORMAT: A	CAGE CODE:	DRAWING NO.: S-4038-10251	REVISION: NR
CHECK BY:		SCALE: 1:8	GENERATED BY: SolidWorks 2020	SHEET: 1 of 1	
PROJECT ENG.:					
PROJECT MANAGER:					

This drawing is the proprietary property of Electro Composites (2008) ULC, not part of the public domain, and is issued with the express understanding and agreement that it is not to be reproduced or copied in whole or in part or issued for furnishing information to others, or used directly or indirectly, in any way detrimental to the interest of Electro Composites (2008) ULC and is to be returned upon request by Electro Composites (2008) ULC. All Rights Reserved.