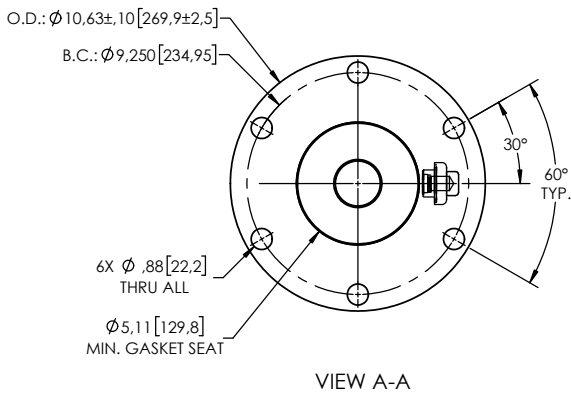
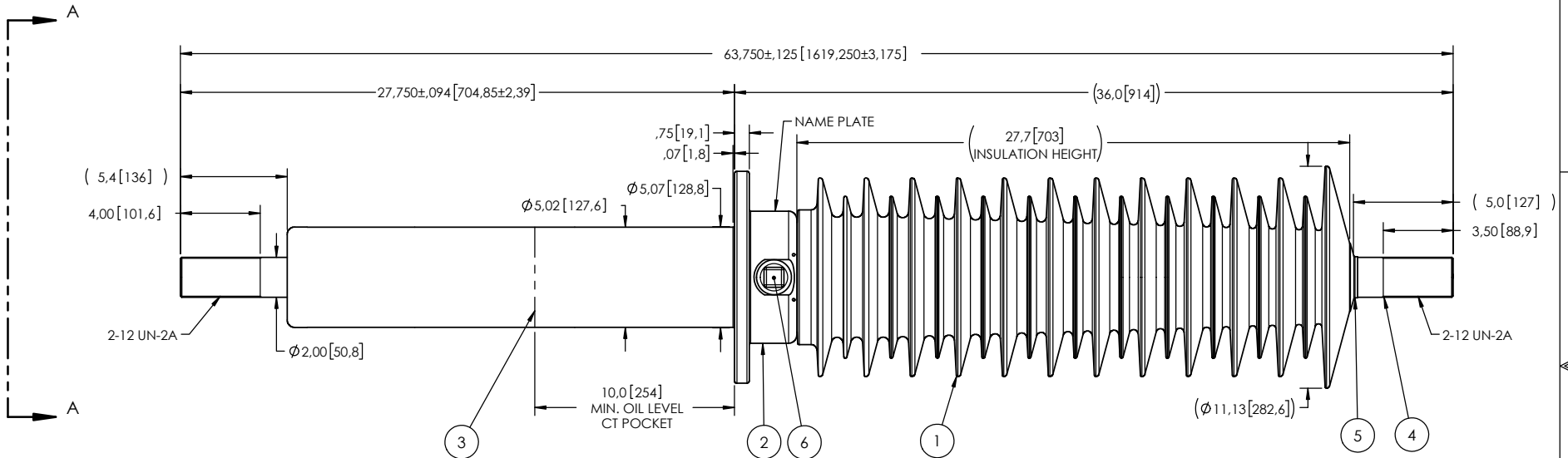


NOTES:

- 1 CREEPAGE DISTANCE: 96.6" / 2454mm
- 2 ARC DISTANCE: 31.6" / 804mm
- 3 NOMINAL VOLTAGE: 72.5kV
- 4 NOMINAL CURRENT: 2000A
- 5 VOLTAGE WITHSTAND, 60 sec.: 175kV
- 6 BIL : 350kV
- 7 ROUTINE TEST ACCORDING TO: CAN/CSA-C88.1
- 8 MAX. TORQUE APPLIED ON FLANGE BOLTS: 40 lbf·ft / 54.2 N·m
- 9 WEIGHT: 169 lb / 76.6 kg

REVISIONS					
ZONE	REV.	DESCRIPTION	DRAWN BY	DATE	APPR.



This drawing is the proprietary property of Electro Composites (2008) ULC, not part of the public domain, and is issued with the express understanding and agreement that it is not to be reproduced or copied in whole or in part or issued for furnishing information to others, or used directly or indirectly, in any way detrimental to the interest of Electro Composites (2008) ULC and is to be returned upon request by Electro Composites (2008) ULC. All Rights Reserved.

ITEM NO.	QTY	DRAWING NO.	PART NO.	DESCRIPTION	NOTE / MAT'L
6	1	S-1001-2022		CAPACITANCE TAP ASSEMBLY	ALUMINUM
5	1	S-1344-0162-0		CAP	COPPER
4	1	S-1543-10258		ROD ASSEMBLY	COPPER
3	1	S-1543-10257		SHIELD ASSEMBLY	BRASS
2	1	S-5166-4676		FLANGE	ALUMINUM
1	1	S-1543-10256	-001	CASTING, CYCLOALIPHATIC RESIN	EC-APG-02

PARTS LIST					
<p>GENERAL TOLERANCES (UNLESS OTHERWISE SPECIFIED)</p> <p>X. ±0.125 .X ±0.094 .XX ±0.063 .XXX ±0.031 ANGLES ±.25° RADIUS ±0.031</p>			<p>Electro Composites™ solid HV bushings solution</p>		
<p>REMOVE BURRS AND BREAK SHARP EDGES</p> <p>DIMENSIONS ARE IN INCHES (UNLESS OTHERWISE SPECIFIED)</p>			<p>TITLE: SDC® BUSHING 72.5kV, 2000A MODEL: 350-020-T-1078-00</p>		
DRAWN BY: A.SAVARD		DATE: 2021/03/11		FORMAT: A	REVISION: NR
PROJECT ENG.:		DRAWING NO.: S-1543-10256		SCALE: 1:8	GENERATED BY: SolidWorks 2020
PROJECT MANAGER:		SHEET: 1 of 1			