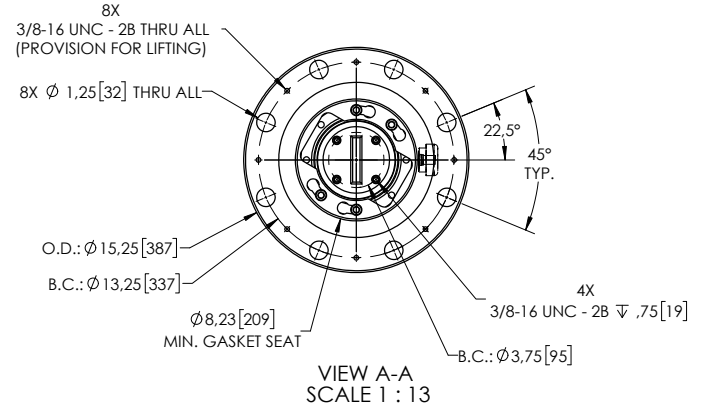
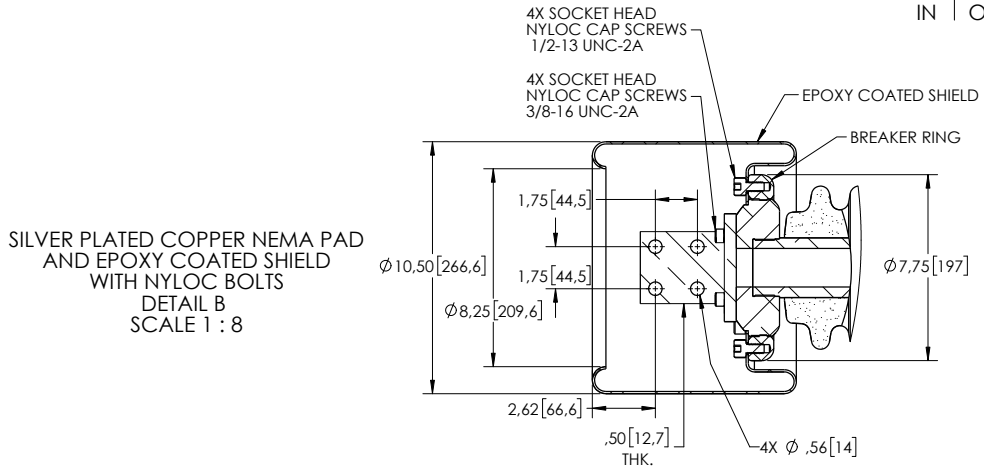
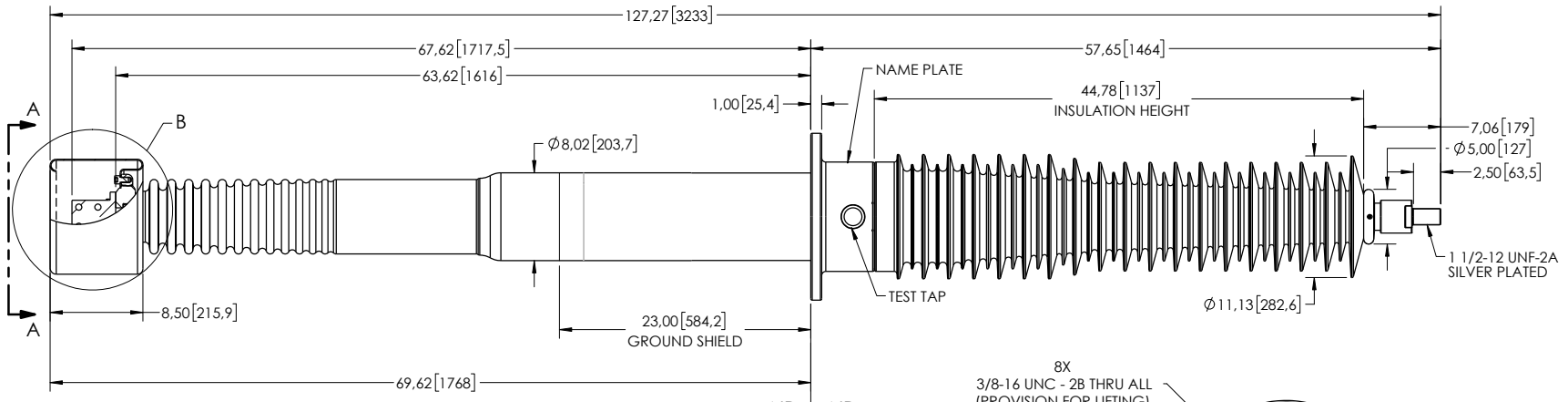


- NOTES:
- 1 CREEPAGE DISTANCE OUTSIDE: 142.2 in / 3612 mm
CREEPAGE DISTANCE INSIDE: 45.9 in / 1196 mm
 - 2 ARC DISTANCE OUTSIDE: 48.5 in / 1231 mm
ARC DISTANCE INSIDE: 36.1 in / 918 mm
 - 3 INSULATION TYPE: APG-02 CYCLOALIPHATIC EPOXY
COLOR: GREY
 - 4 NOMINAL VOLTAGE: 115 kV
 - 5 MAX LINE TO GROUND VOLTAGE : 88 kV
 - 6 NOMINAL CURRENT: 1200A BOTTOM CONNECTION
 - 7 VOLTAGE WITHSTAND, 60 sec.: 260 kV
 - 8 B.I.L. : 550 kV
 - 9 STANDARD: IEEE C57.19.01
 - 10 1)MAX. TORQUE APPLIED ON FLANGE BOLTS: 70 lbf·ft / 94.9 N·m
2)MAX. TORQUE APPLIED ON TOP TERMINAL: 80 lbf·ft / 108.4 N·m
 - 11 WEIGHT: 382 lb / 173.2 kg
 - 12 MAXIMUM ALTITUDE: 6561 ft / 2000 m

REVISIONS					
ZONE	REV.	DESCRIPTION	DRAWN BY	DATE	APPR.
	A	NEW DESIGN RELEASED	A.SAVARD	2021-03-30	J.V.



This drawing is the proprietary property of Electro Composites (2008) ULC, not part of the public domain, and is issued with the express understanding and agreement that it is not to be reproduced or copied in whole or in part or issued for furnishing information to others, or used directly or indirectly, in any way detrimental to the interest of Electro Composites (2008) ULC and is to be returned upon request by Electro Composites (2008) ULC. All Rights Reserved.

DIMENSIONS ARE IN INCHES (UNLESS OTHERWISE SPECIFIED)		ElectroComposites™ solid HV bushings solution		
DRAWN BY: A.SAVARD		TITLE: SDC® WALL BUSHING		
DATE: 2021/02/15		115kV, 1200A		
CHECK BY:		MODEL: 550-012-W-1080-00		
PROJECT ENG.:		FORMAT: A	CAGE CODE: S-8094-10267	DRAWING NO.:
PROJECT MANAGER:		SCALE: 1:16	GENERATED BY: SolidWorks 2020	REVISION: A
			SHEET: 1 of 1	