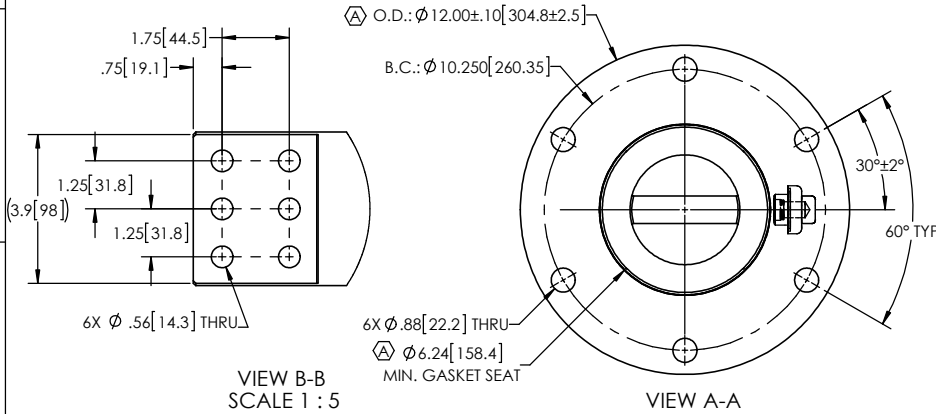
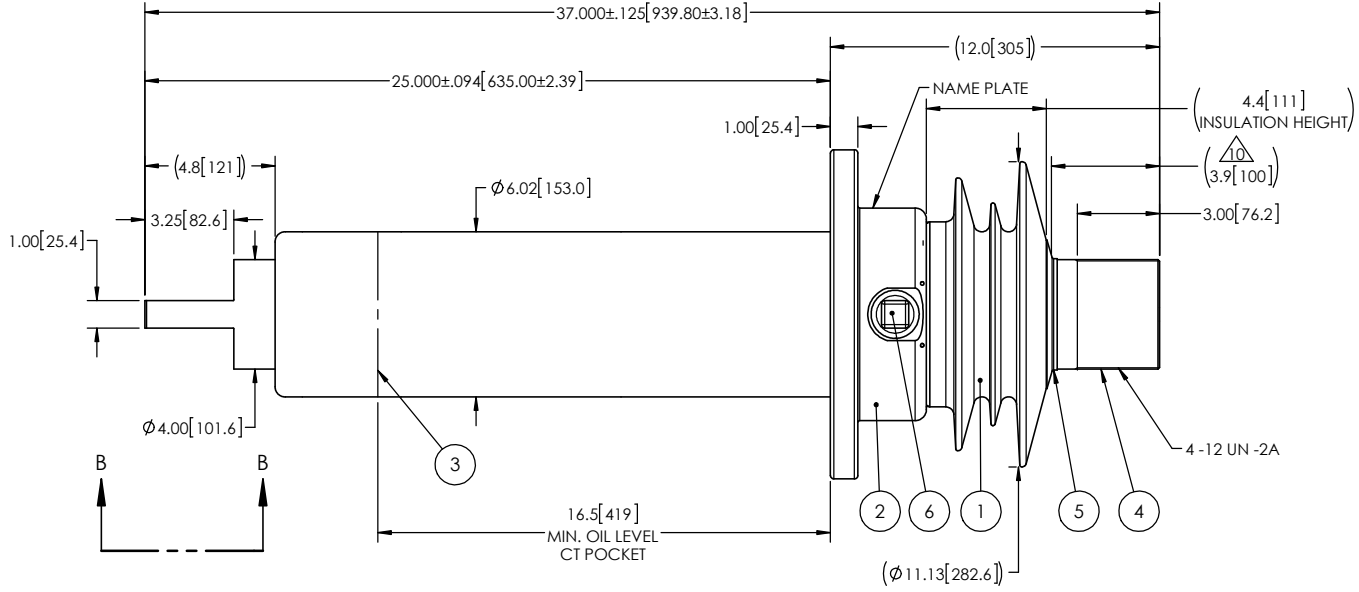


NOTES:

- 1 CREEPAGE DISTANCE: 13.1" / 333mm
- 2 ARC DISTANCE: 7.2" / 184mm
- 3 NOMINAL VOLTAGE: 15kV
- 4 NOMINAL CURRENT: 5000A
- 5 VOLTAGE WITHSTAND, 60 sec.: 50kV
- 6 BIL : 110kV
- 7 ROUTINE TEST ACCORDING TO: IEEE C57.19.01
- 8 MAX. TORQUE APPLIED ON FLANGE BOLTS: 70 lbf·ft / 94.9 N·m
- 9 WEIGHT: 188 lb / 85.3 kg
- 10 SILVER PLATED, AS PER ASTM B700, TYPE 1, GRADE D, CLASS N, NO NICKEL LAYER, FROM 13 TO 20 MICROMETERS THICKNESS
- 11 MAXIMUM OPERATING TEMPERATURE: 130°C (266°F)

REVISIONS

ZONE	REV.	DESCRIPTION	DRAWN BY	DATE	APPR.
A5 B5	A	ADD THE MINIMUM GASKET SEAT DIMENSION. INCREASE THE TOLERANCES ON THE FLANGE OUTSIDE DIAMETER.	M. FORGET	2019-09-09	Y.V.



ITEM NO.	QTY	DRAWING NO.	PART NO.	DESCRIPTION	NOTE / MAT'L
6	1	S-1001-2022		CAPACITANCE TAP ASSEMBLY	ALUMINUM
5	1	S-3974-3543		CAP	COPPER
4	1	S-7363-8209		ROD ASSEMBLY	COPPER
3	1	S-6187-5770		SHIELD ASSEMBLY	COPPER
2	1	S-6187-5769		FLANGE	ALUMINUM
1	1	S-7363-8208	-001	CASTING, CYCLOALIPHATIC RESIN	EC-APG-15NA

PARTS LIST

GENERAL TOLERANCES (UNLESS OTHERWISE SPECIFIED)

X.	±0.125
.X	±0.094
.XX	±0.063
.XXX	±0.031
ANGLES	±0.25°
RADIUS	±0.031

REMOVE BURRS AND BREAK SHARP EDGES

DIMENSIONS ARE IN INCHES (UNLESS OTHERWISE SPECIFIED)

**Electro Composites**  
solid HV bushings solution

TITLE:  
SDC® BUSHING 15kV, 5000A  
MODEL: 110-050-165-15

DRAWN BY: J.N.PILOTTE	DATE: 2013/12/18	FORMAT: A	CAGE CODE:	DRAWING NO.: S-7363-8208	REVISION: A
PROJECT NO.:	SCALE: 1:7	GENERATED BY: SolidWorks 2013	SHEET: 1 of 1		

This drawing is the proprietary property of Electro Composites (2008) ULC, not part of the public domain, and is issued with the express understanding and agreement that it is not to be reproduced or copied in whole or in part or issued for furnishing information to others, or used directly or indirectly, in any way detrimental to the interest of Electro Composites (2008) ULC and is to be returned upon request by Electro Composites (2008) ULC. All Rights Reserved.