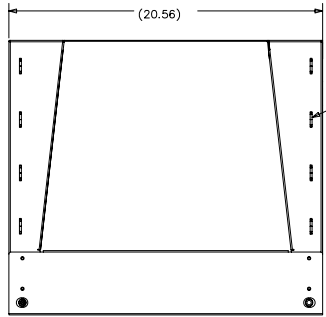


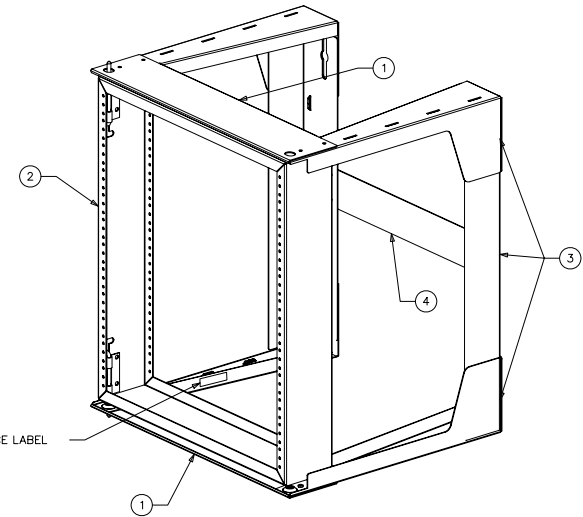
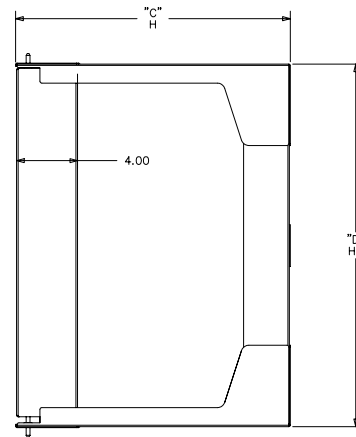
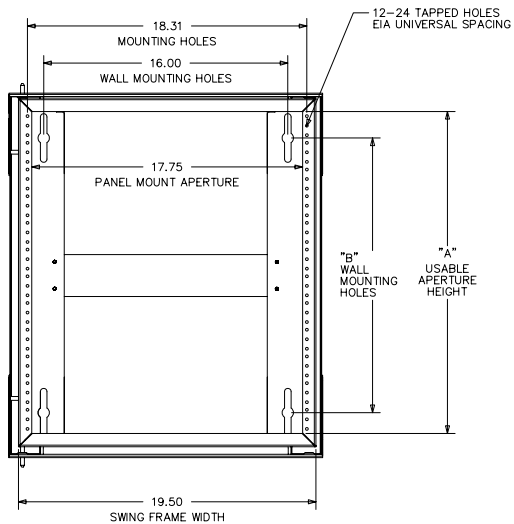
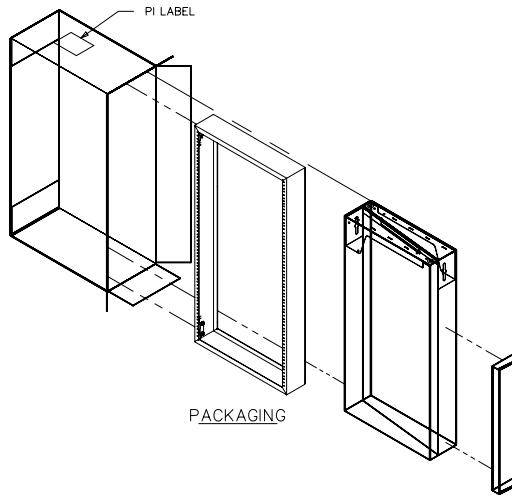
ITEM	QTY	DESCRIPTION
1	2	TOP AND BOTTOM BRACE
2	1	SWING FRAME ASSEMBLY
3	2	SIDE BRACE ASSEMBLY
4	1	REAR BRACE PANEL
5	4	#10-32 ACORN NUT, (BLACK NYLON)
6	8	#10-32 X 1/4" PAN HEAD SCREW, (BLACK)
7	50	12-24 X 5/8" PAN HEAD SCREW, (BLACK)
8	2	1/4-20 X 3/4" PHIL FLTHD/NYLON LOCK PELLET
9	2	BLACK NYLON SPACER

CATALOG NO.	DESCRIPTION	RACK UNITS	DIM. "A"	DIM. "B"	DIM. "C"	DIM. "D"
HPWWMR24	24" WALL MOUNT SWING OUT RACK	12	21.1	18.00	18	23.764
HPWWMR48	48" WALL MOUNT SWING OUT RACK	26	45.35	42.25	18	48.014
HPWWMR36	36" WALL MOUNT SWING OUT RACK	19	33.35	30.25	18	36.014

- NOTES:
1. SURFACE FINISH: BLACK POWDER COAT
 2. PLACE INSTALLATION INSTRUCTION SHEET WITH ASSEMBLY
 3. SPECIFICATIONS SUBJECT TO CHANGE WITHOUT NOTICE.



CABLE TIE LANCES
TOP AND BOTTOM



SALES AND SERVICE LABEL

REV.	ECN	DATE	DESCRIPTION	CHG BY	APPD BY
D	6438	08/22/08	UPDATED CUSTOMER DRAWING	DA	
B	5953	08/23/06	UPDATED CUSTOMER DRAWING	NJR	
A	3475	5/18/99	INITIAL RELEASE OF C11051 & C11052	RAR	JL

IN ACCEPTING OUR DRAWINGS, BLUEPRINTS, OR SUPPORTING DOCUMENTATION FOR QUOTATION OR OTHER PURPOSES, YOU AGREE NOT TO DISCLOSE TO OTHERS THE IDEAS, INFORMATION, OR DESIGNS SHOWN HEREIN, AND THAT YOU WILL MAKE NO USE OF SAME WITHOUT PERMISSION.

PROJECT REFERENCE:
MATERIAL:
DRAWN BY:
R. REGO
CHECKED BY:
J. LUTZEN 6/10/99
APPROVED BY:
J. LUTZEN 6/10/99

HUBBELL Hubbell Premise Wiring
HUBBELL INCORPORATED (Delaware)
14 Lord's Hill Road, Stonington, Connecticut 06378

TITLE: 19" WALL MOUNT SWING RACK RACK/ENCLOSURES

SIZE: D DRAWING NO. 11051C REV. D

SCALE: NONE SHEET 1 of 1