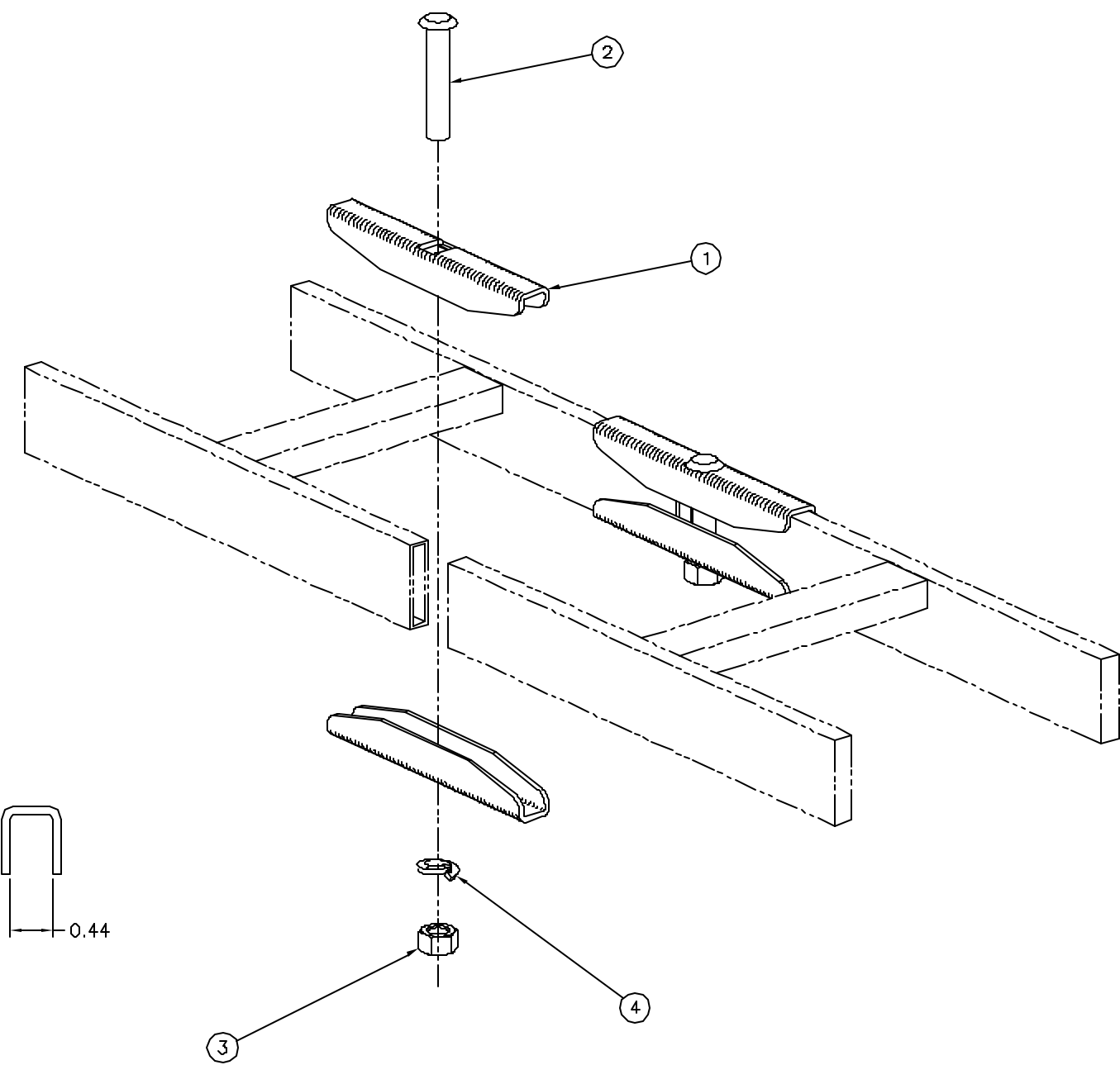
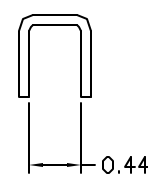
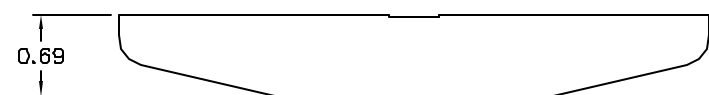
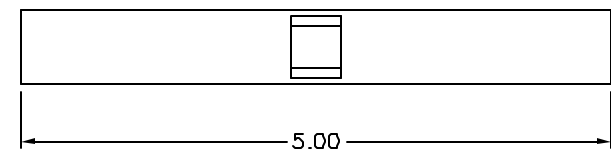


| ITEM NO. | DESCRIPTION | QTY. | CATALOG NUMBER | DESCRIPTION |
|----------|-----------------------|------|----------------|-----------------|
| 1 | BUTT SPLICE CLAMP | 4 | HLBSK | STRAIGHT SPLICE |
| 2 | 3/16"-18 TRIMMED BOLT | 2 | | |
| 3 | 3/16"-18 HEX NUT | 2 | | |
| 4 | 3/16"-18 LOCK WASHER | 2 | | |
| 5 | INSTRUCTION SHEET | 1 | | |

D
C
B
A

D
C
B
A



NOTES:

- SCOPE: BUTT SPLICE KIT IS USED TO JOIN LADDER RACK END SECTIONS.
- SURFACE FINISH: BLACK SMOOTH
- EACH KIT SHOULD CONTAIN:
 - (4) BUTT SPLICE CLAMP (12Ga. C.R.S)
 - (2) 3/16-18 TRIMMED BOLT
 - (2) 3/16-18 HEX NUT
 - (2) 3/16-18 LOCK WASHER
 - (1) INSTRUCTION SHEET PART NO. 77896B01

| REV. | ECN | DATE | DESCRIPTION | CHG BY | APPD BY |
|------|------|----------|-----------------|--------|---------|
| A | 4613 | 04/23/02 | INITIAL RELEASE | PSM | MMA |

Created on AUTOCAD

DIMENSIONING AND TOLERANCE PER ANSI Y14.5M-1982 UNLESS OTHERWISE SPECIFIED, DIMENSIONS ARE IN INCHES (MM).

TOLERANCES
 .XX = ±.01 (.25)
 .XXX = ±.005 (.127)
 .XXXX = ±.0025 (.0635)
 ANGLE TOL ±1°

IN ACCEPTING OUR DRAWINGS, BLUEPRINTS, OR SUPPORTING DOCUMENTATION FOR QUOTATION OR OTHER PURPOSES, YOU AGREE NOT TO DISCLOSE TO OTHERS THE IDEAS, INFORMATION, OR DESIGNS SHOWN HEREIN, AND THAT YOU WILL MAKE NO USE OF SAME WITHOUT PERMISSION

PROJECT REFERENCE:
MATERIAL:
DRAWN BY:
PAUL S. MAGUIRE 04/23/02
CHECKED BY:
M. MAROVIC ABBY 04/29/02
APPROVED BY:
M. MAROVIC ABBY 04/29/02

HUBBELL Hubbell Premise Wiring
 HUBBELL INCORPORATED (Delaware)
 14 Lore's Hill Road, Storington, Connecticut 06378

TITLE: RACKS/LADDER RACKS
 CABLE MANAGEMENT
 ASSY,BUTT SLICE KIT

SIZE: C DRAWING NO. C11256
 SCALE: 1/1 SHEET 1 OF 1

REV. A