

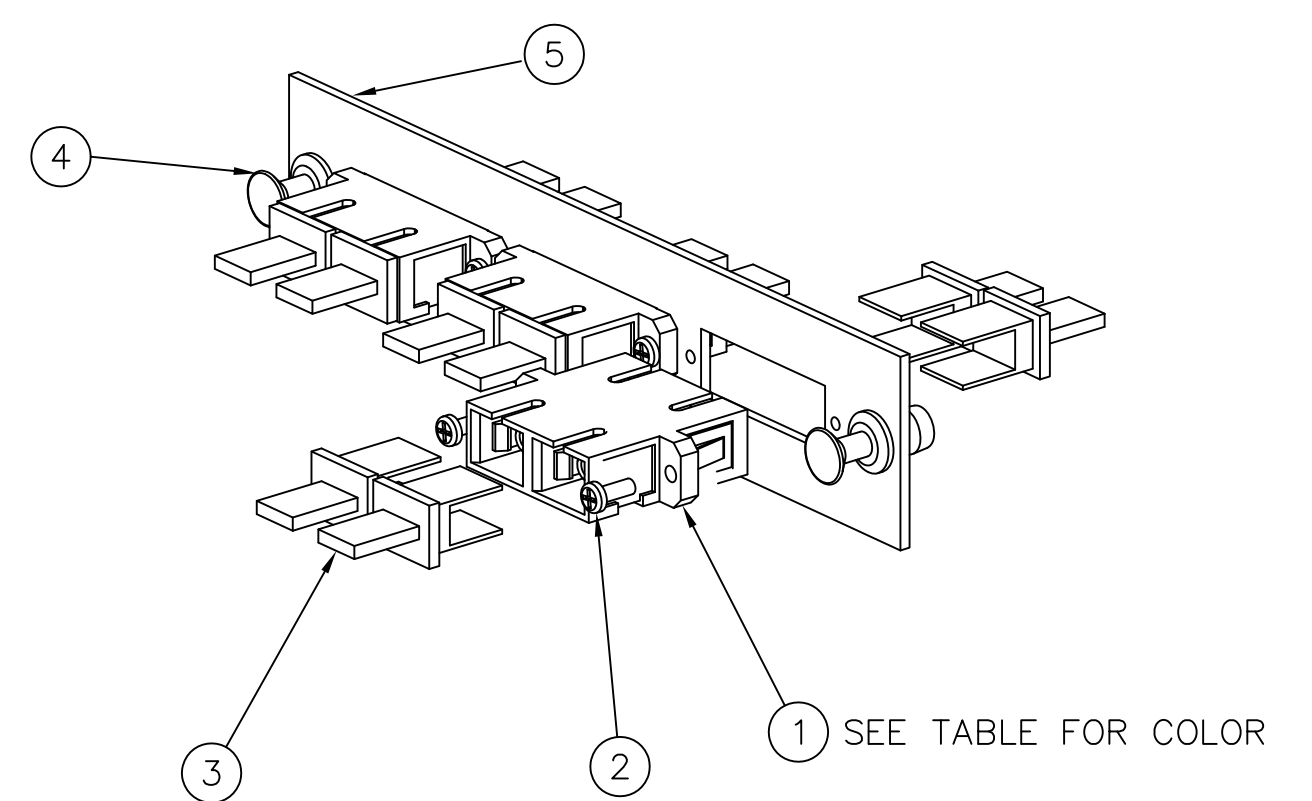
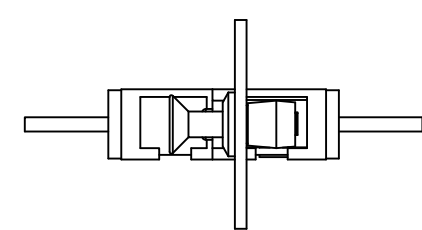
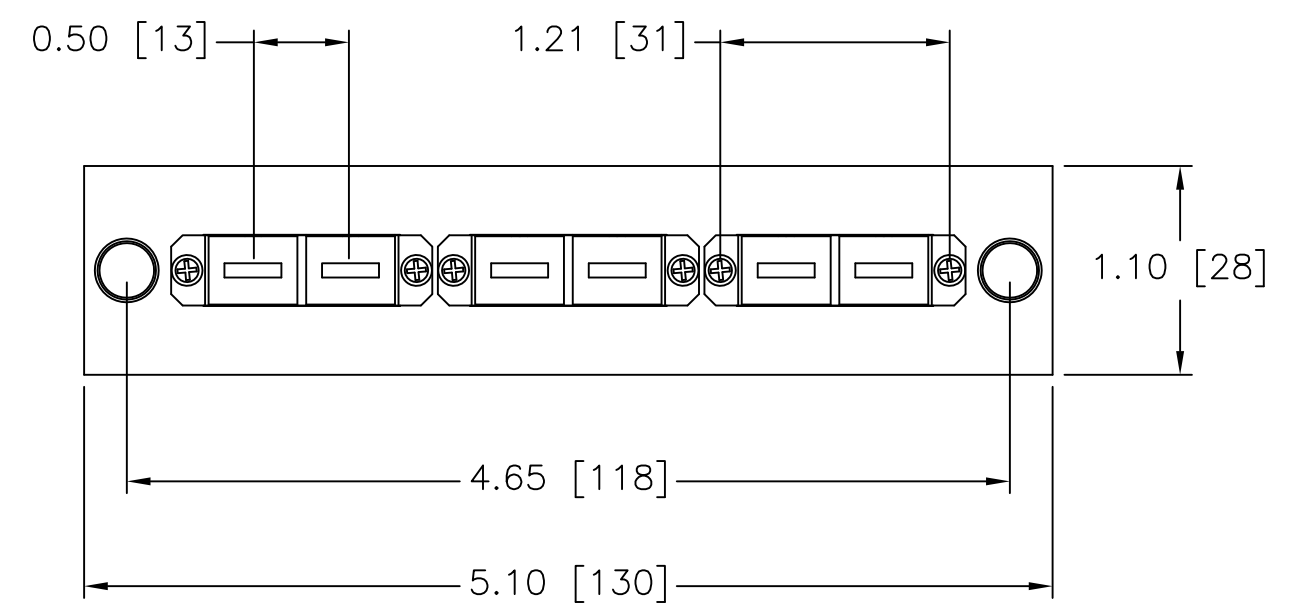
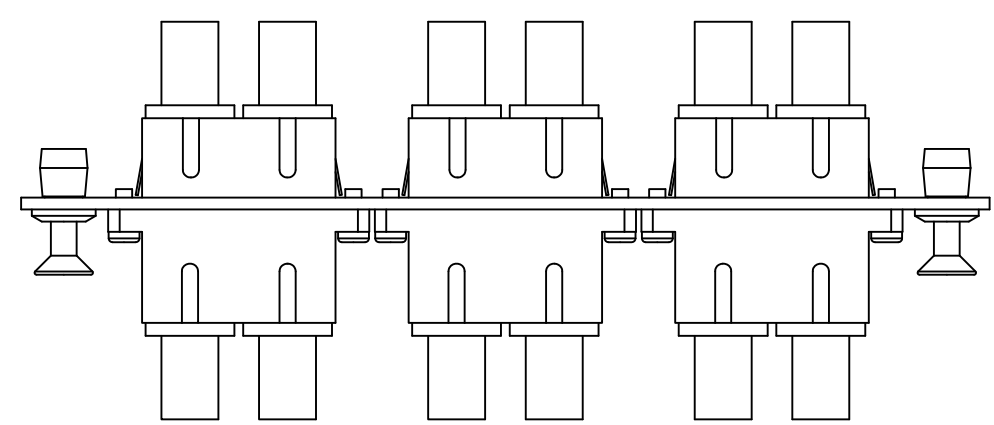
ITEM NO.	DESCRIPTION	QTY.
1	ADAPTER, SC DUPLEX (SEE TABLE FOR COLOR)	3
2	SCREW, ADAPTER	6
3	DUST CAP, SC	12
4	NYLATCH PUSH FASTENER	2
5	FSP PANEL 6 PORT SC DUPLEX	1

CATALOG NUMBER	DESCRIPTION
FSPSCD3X	UNLOADED PANEL FOR 3 SC DUPLEX ADAPTERS
FSPSCxDyy	LOADED FSP PANEL WITH 3 SC DUPLEX ADAPTERS

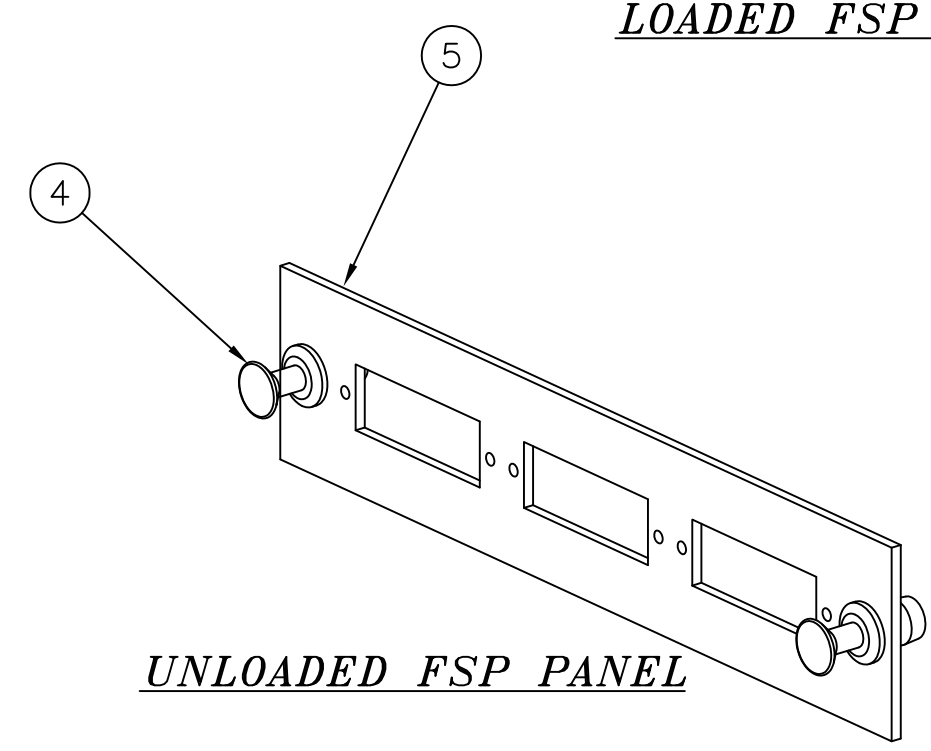
**CATALOG NUMBER LEGEND:**

"x":  
M - PHOS-BRONZE SLEEVE, MULTIMODE APPLICATION  
S - ZIRCONIA SLEEVE, SINGLEMODE AND MULTIMODE APPLICATION

"yy":  
AQ - AQUA  
BE - BEIGE  
BK - BLACK  
B - BLUE  
GN - GREEN  
OR - ORANGE  
Y - YELLOW  
R - RED




**LOADED FSP PANEL**



**UNLOADED FSP PANEL**

**NOTES:**

- SUPPLIED WITH PUSH/PULL FASTENERS FOR EASY INSTALLATION/REMOVAL.
- PANELS FIT INTO HUBBELL WALL MOUNT AND RACK MOUNT CABINETS.
- BLACK ELECTROSTATICALLY APPLIED POWDER COAT.
- ADAPTERS SUPPLIED WITH DUST CAPS INSTALLED
- SEE TABLE FOR CATALOG NO.'S FOR COLORED ADAPTERS OR UNLOADED PANELS.
- SPLIT SLEEVE MATERIAL - SEE TABLE  
ZIRCONIA COMPATIBLE WITH BOTH SINGLEMODE AND MULTIMODE FIBER.  
PHOSPHOR BRONZE COMPATIBLE WITH MULTIMODE FIBER ONLY.
- SPECIFICATIONS SUBJECT TO CHANGE WITHOUT NOTICE.

Created on AUTOCAD	DIMENSIONING AND TOLERANCE PER ANSI Y14.5M-1982 UNLESS OTHERWISE SPECIFIED, DIMENSIONS ARE IN INCHES (MM). TOLERANCES .XX = ±.01 (.25) .XXX = ±.005 (.127) .XXXX = ±.0025 (.0635) ANGLE TOL ±1°		PROJECT REFERENCE:		 <b>Hubbell Premise Wiring</b> HUBBELL INCORPORATED (Delaware) 14 Lord's Hill Road, Stonington, Connecticut 06378	
	IN ACCEPTING OUR DRAWINGS, BLUEPRINTS, OR SUPPORTING DOCUMENTATION FOR QUOTATION OR OTHER PURPOSES, YOU AGREE NOT TO DISCLOSE TO OTHERS THE IDEAS, INFORMATION, OR DESIGNS SHOWN HEREIN, AND THAT YOU WILL MAKE NO USE OF SAME WITHOUT PERMISSION		MATERIAL: .0598" CRS WITH BLACK POWDER COAT FINISH			
			DRAWN BY: PAUL S. MAGUIRE 01/11/02		TITLE: <b>ASSY, 6 PORT FSP PANEL, WITH SC DUPLEX ADAPTERS</b>	
			CHECKED BY:		SIZE: <b>C</b> DRAWING NO. <b>11574C</b> REV. <b>G</b>	
		APPROVED BY: JOHN LUTZEN 03/06/02		SCALE: <b>N/A</b> SHEET <b>1 OF 1</b>		

REV.	ECN	DATE	DESCRIPTION	CHG BY	APPD BY
G	17866	05/09/12	ADDED CATALOG NUMBER LEGEND	MMA	