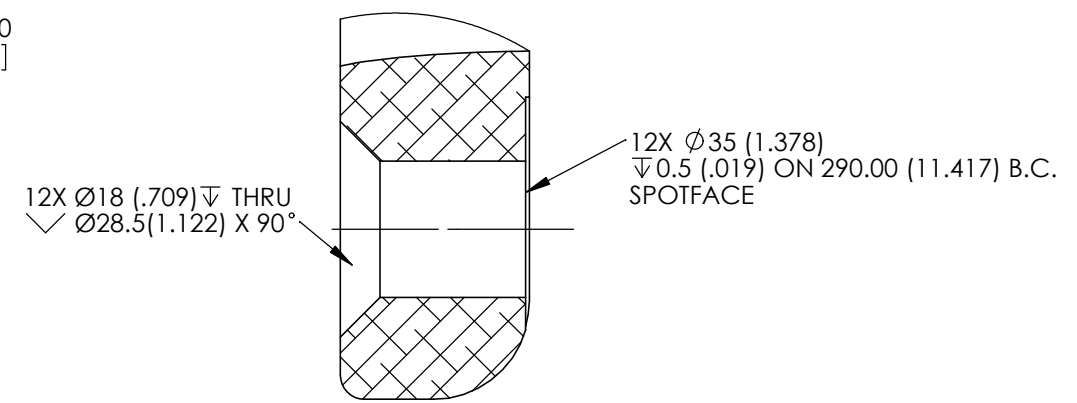
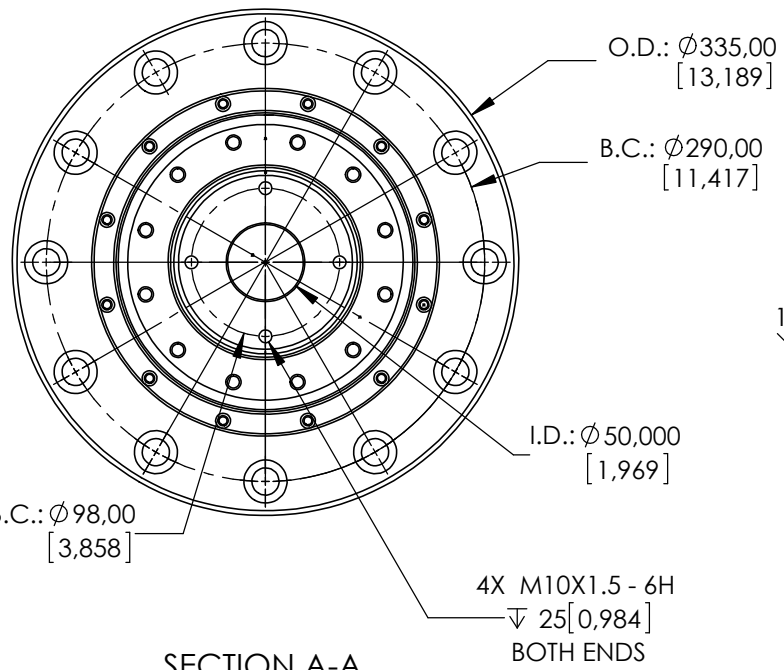
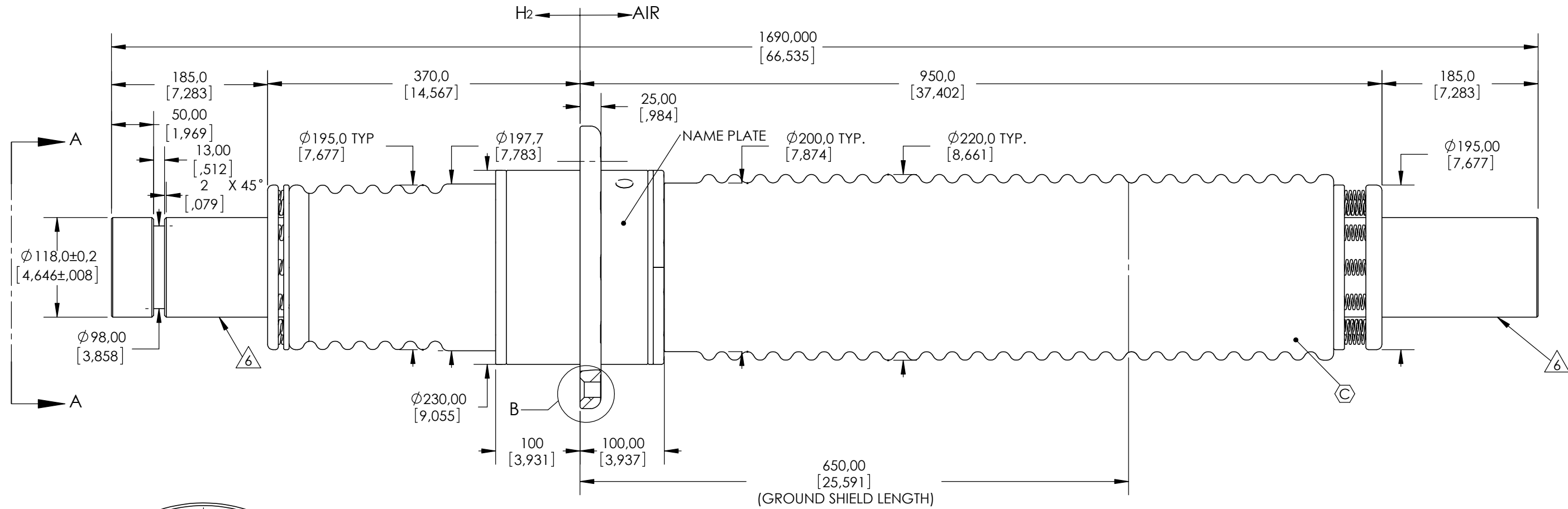


NOTES:

- | | |
|---|---|
| <p>1. ELECTRICAL CHARACTERISTICS:</p> <ul style="list-style-type: none"> - NOMINAL CURRENT: 18kA (CURRENT RATING WITH LIQUID COOLING) - NOMINAL VOLTAGE: 30kV - HIPOT: 75kV, 60Hz, 1 min. - BIL: 150 kV <p>2. MAXIMUM HYDROGEN OPERATING PRESSURE: 85psig.</p> <p>3. CONTILEVER TEST LOAD: 2205 lb.</p> <p>4. MAXIMUM OPERATING TEMP. OF INSULATION: 130 °C</p> | <p>5. REFER TO TYPE TEST PLAN RH-149-2</p> <p>6. SILVER PLATED ACCORDING 5 μm MINIMUM THICKNESS, BOTH ENDS.</p> <p>7. WEIGHT: 439 lbs / 199.1 kg</p> |
|---|---|

REVISIONS					
ZONE	REV.	DESCRIPTION	DRAWN BY	DATE	APPR.
	A	Updated dwg # for item 20, part # for item 16 + Balloons # 6 & 20 have been reversed	A.SAVARD	2010/07/09	J.V.
	B	MOST OF BALLONS HAVE BEEN RELOCATED	A.SAVARD	2011/03/03	J.V.
	C	CYCLOALIPHATIC EPOXY INSULATION EC-APG-15 CHANGED TO EC-APG-15N/A + MOVE PART LIST TO EC PRODUCTION DRAWING	A.SAVARD	2016-12-19	J.V.



GENERAL TOLERANCES (UNLESS OTHERWISE SPECIFIED)		Electro Composites solid HV bushings solution TITLE: SDC® GENERATOR BUSHING 30kV, 18kA MODEL: 150-180-H-149-02			
X.	±3.2				
.X	±2.4	FORMAT: B	CAGE CODE	DRAWING NO. S-5355-5864	REVISION: C
.XX	±1.60	SCALE: 1:3			
.XXX	±0.800	GENERATED BY: SolidWorks 2013			
ANGLES	±1°	SHEET: 1 de 1			
RADIUS	±1.6	PROJECT ENGINEER: A.SAVARD			
REMOVE BURRS AND SHARP EDGES		DATE: 2010/05/03			
DIMENSIONS ARE IN MILLIMETERS		CHECK BY:			
(UNLESS OTHERWISE SPECIFIED)		PROJECT MANAGER:			

This drawing is the proprietary property of Electro Composites (2008) ULC, not part of the public domain, and is issued with the express understanding and agreement that it is not to be reproduced or copied in whole or in part or issued for furnishing information to others, or used directly or indirectly, in any way detrimental to the interest of Electro Composites (2008) ULC and is to be returned upon request by Electro Composites (2008) ULC. All Rights Reserved.