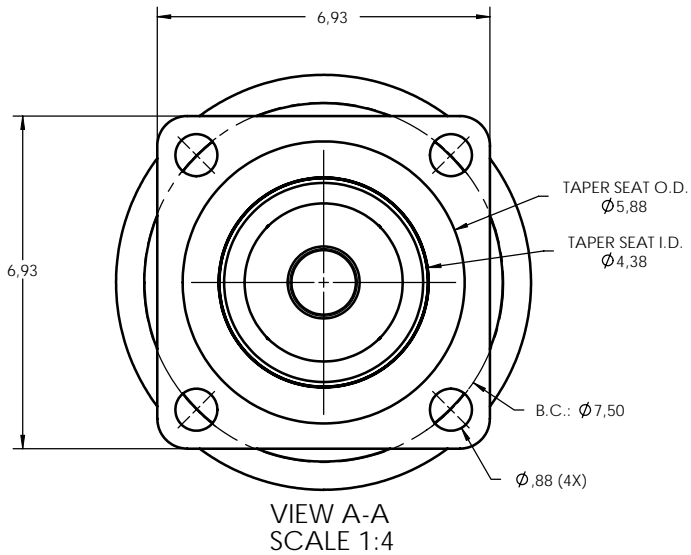
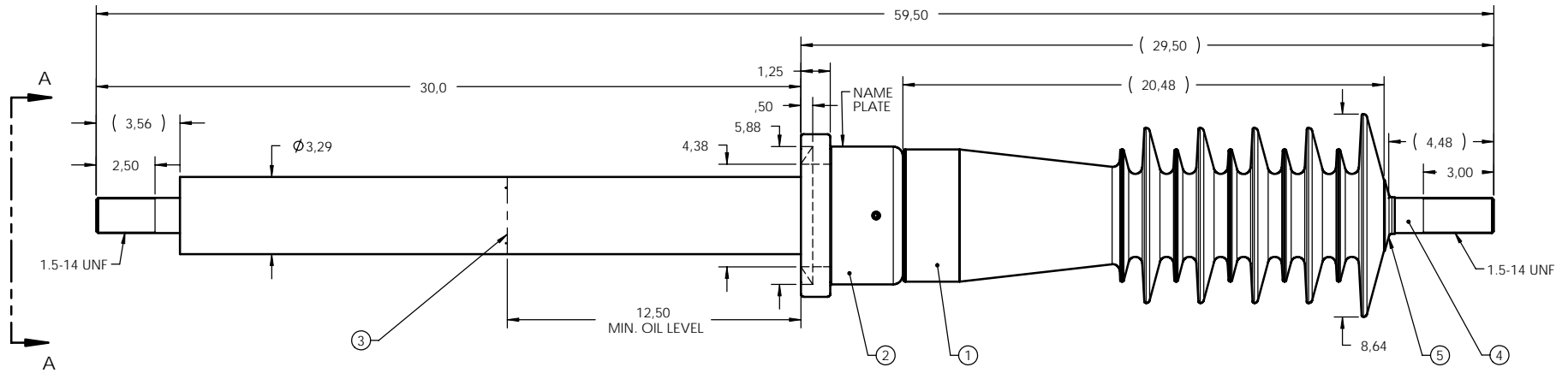


NOTES:

- 1 CREEPAGE DISTANCE: 45.4" / 1153mm
- 2 ARC DISTANCE: 22.76" / 578mm
- 3 INSULATION LEVEL: 34.5/80/200kV
- 4 NOMINAL CURRENT: 1200A
- 5 NOMINAL VOLTAGE: 34.5kV
- 6 APPLICATION STANDARD: IEEE C57.19.01
- 7 WITHSTAND VOLTAGE AT 60 sec.: 80kV
- 8 MAX. TORQUE APPLIED ON FLANGE BOLTS: 40 lbf x ft
- 9 WEIGHT: ~80.8 lbs /36.64Kg



ITEM NO.	QTY	DRAWING NO.	PART NO.	DESCRIPTION	NOTE / MAT'L
5	1	S-1001-0007		CAP	COPPER
4	1	S-5388-5083		ROD ASSEMBLY	COPPER
3	1	S-4129-2852		SHIELD ASSEMBLY	COPPER
2	1	S-5388-5081		FLANGE	ALUMINUM
1	1	S-5388-5080		CASTING, CYCLOALIPHATIC RESIN	EC-APG-02

PARTS LIST

GENERAL TOLERANCES (UNLESS OTHERWISE SPECIFIED) X. ±0.125 .X ±0.094 .XX ±0.063 .XXX ±0.010 ANGLES ±0.25° RADIUS ±0.031		REPLACE: REPLACE: WHSE 96A343			
REMOVE BURRS AND BREAK SHARP EDGES DIMENSIONS ARE IN INCHES (UNLESS OTHERWISE SPECIFIED)		DRAWN BY: J.N Pilotte CHECK BY: PROJECTING: PROJECT MANAGER:		DATE: 2008/10/21 TITLE: BUSHING 34.5kV, 1200A MODEL: 200-012-B-168-01	
		SCALE: 1:7		DRAWING NO.: S-5388-5080 REVISION: NR	
		GENERATED BY: SolidWorks 2008		SHEET: 1 of 1	

This drawing is the proprietary property of Electro Composites inc., not part of the public domain, and is issued with the express understanding and agreement that it is not to be reproduced or copied in whole or in part or issued for furnishing information to others, or used directly or indirectly, in any way detrimental to the interest of Electro Composites inc. and is to be returned upon request by Electro Composites inc. All Rights Reserved.