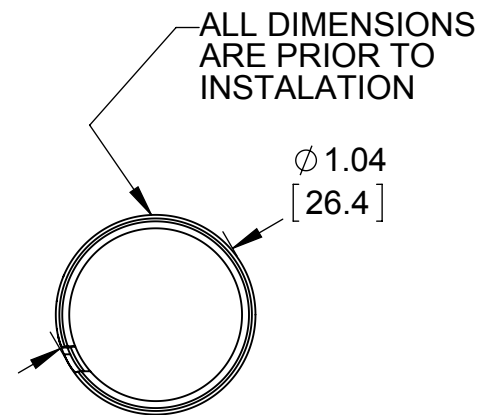
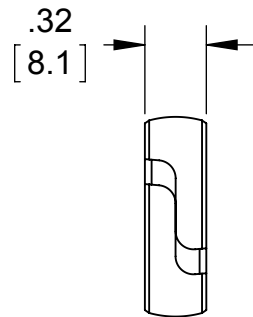
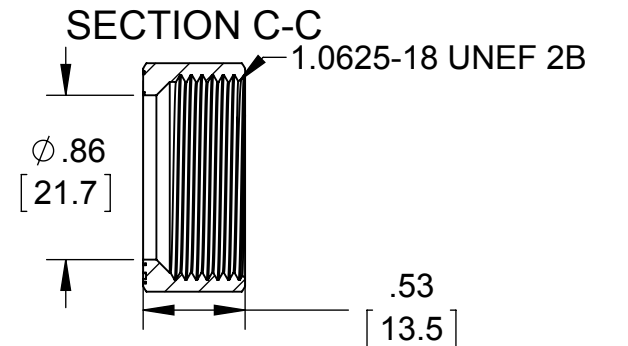
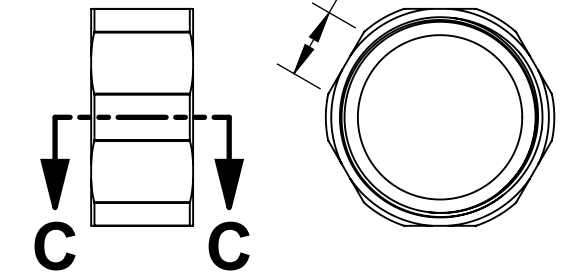
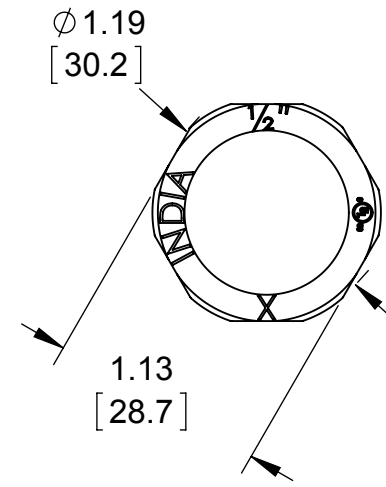
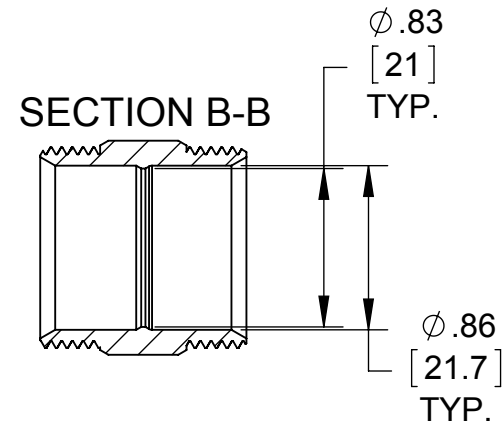
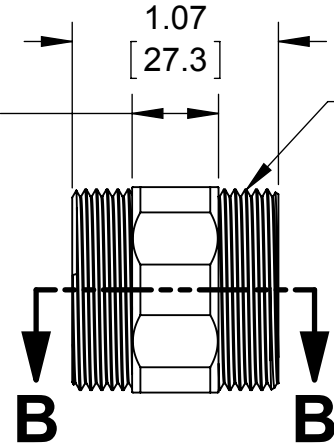
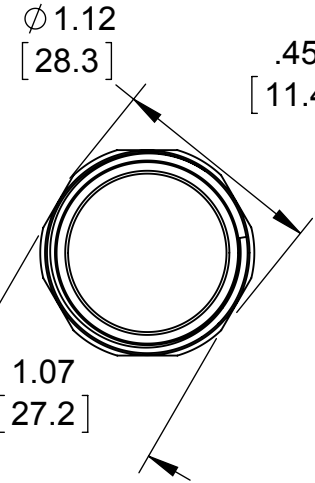
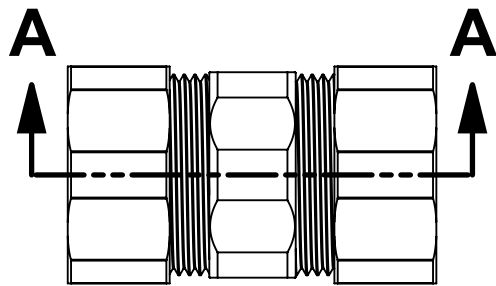
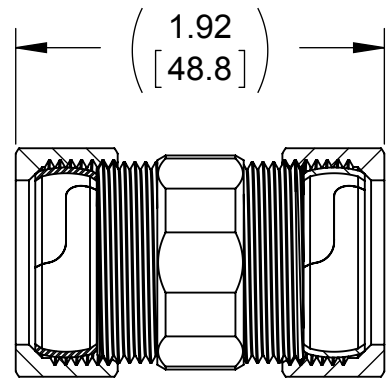
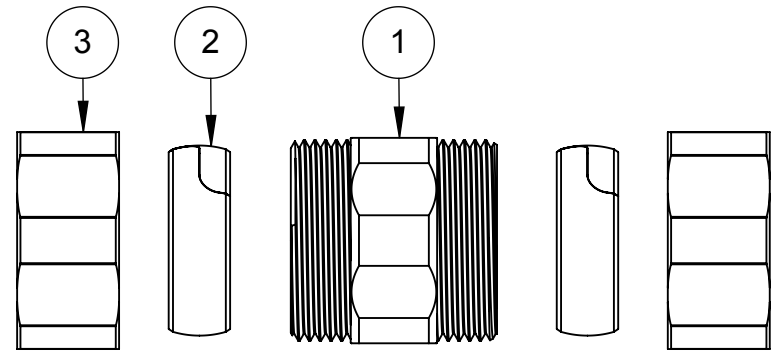


ITEM NO.	Description	Material	Finish	QTY.
1	1/2" TRADE SIZE RIGID COMPRESSION COUPLINGS BODY	C1008 COLD ROLLED STEEL	.0005 ZINC MIN.	1
2	1/2" TRADE SIZE GLAND RING	C1008 GALVANIZED STEEL	.0005 ZINC MIN.	2
3	1.0625 - 18 UNEF 2B COMPRESSION NUT	C1008 COLD ROLLED STEEL	.0005 ZINC MIN.	2



ALL DIMENSIONS ARE PRIOR TO INSTALLATION

- NOTES:
- ALL DIMENSIONS ARE IN INCHES AND [MILLIMETERS]
  - COMPRESSION NUTS ARE TO BE TIGHTENED TO 300 LBF-IN TORQUE
  - CONCRETE TIGHT
  - cULus® LISTED

	INITIAL RELEASE	M.C.	10/26/2015
SYM.	REVISION DESCRIPTION	APP	DATE

THE DESIGN AND DIMENSIONS OF THE PRODUCT SHOWN ON THIS DRAWING ARE SUBJECT TO CHANGE WITHOUT NOTICE

TITLE:  
**1/2" TRADE SIZE RIGID COMPRESSION COUPLER**

TOLERANCE UNLESS OTHERWISE SPECIFIED  .XX DECIMAL ±.015 .XXX DECIMAL ±.005 ANGLE ±2°	<b>RACO</b> South Bend, Indiana		SCALE: <b>1:1</b>
	DRAWN BY:	J.RICHARD	
	APP. BY:	M.C.	
	DATE:	10/26/2015	