

FIG. 1

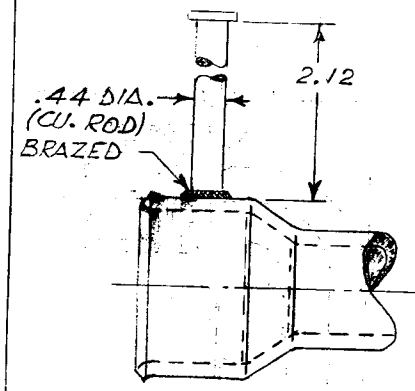


FIG. 2

FIG. NO.	COPPER CONDUCTOR		CAT. NO.	A	B	BB	L	P	W	V	HYSEAL INSTALLATION DATA				REFERENCE	REV.		
	SIZE	STR.									HYSEAL WITH DIE SET		NO. OF INDENTS					
											INDEX NO.	Y34A	Y34B	INDENTOR				
1	110 (A24)		YE26LH81															
2	EXTRA FLEX. 56 OVER INSULATION	259	YE26LH90	.50	1.00	1.50	5.12	2.00	.58	.77	A 26D	Y34PR-2	1	B 26D	Y34PR-2	1	FAA257A	0
1	110 (A24) EXTRA FLEXIBLE TRAD OVER INSULATION	259	YE26LH91	.50	1.00	1.50	5.25	2.00	.81	1.00	A 26D	Y34PR-2	1	B 26D	Y34PR-2	1	FAA257A	0
2			YE26LH92	.50	1.00	1.50	5.25	2.00	.81	1.00	A 26D	Y34PR-2	1	B 26D	Y34PR-2	1	FAA257A	1
																		2

MATERIAL:  
COPPER TUBE & ROD  
FINISH:  
TIN PLATED

MARK	DATE	REVISION
2	1-29-64	YE26LH92 ADDED 1/2"
1	1-29-64	YE26LH91 ADDED

**HYSEAL PLUG (BELLED)**

TYPE YE26LH (TABLE) SCALE 1/2"

DRAWN 12-9-63 M.A.P. CHECKED WS 12-9-63

FCI **BURNDY** PRODUCTS

DRAWING NO. **SC18232N34** REV. 2

APPROVED: M. D. 12-12-63