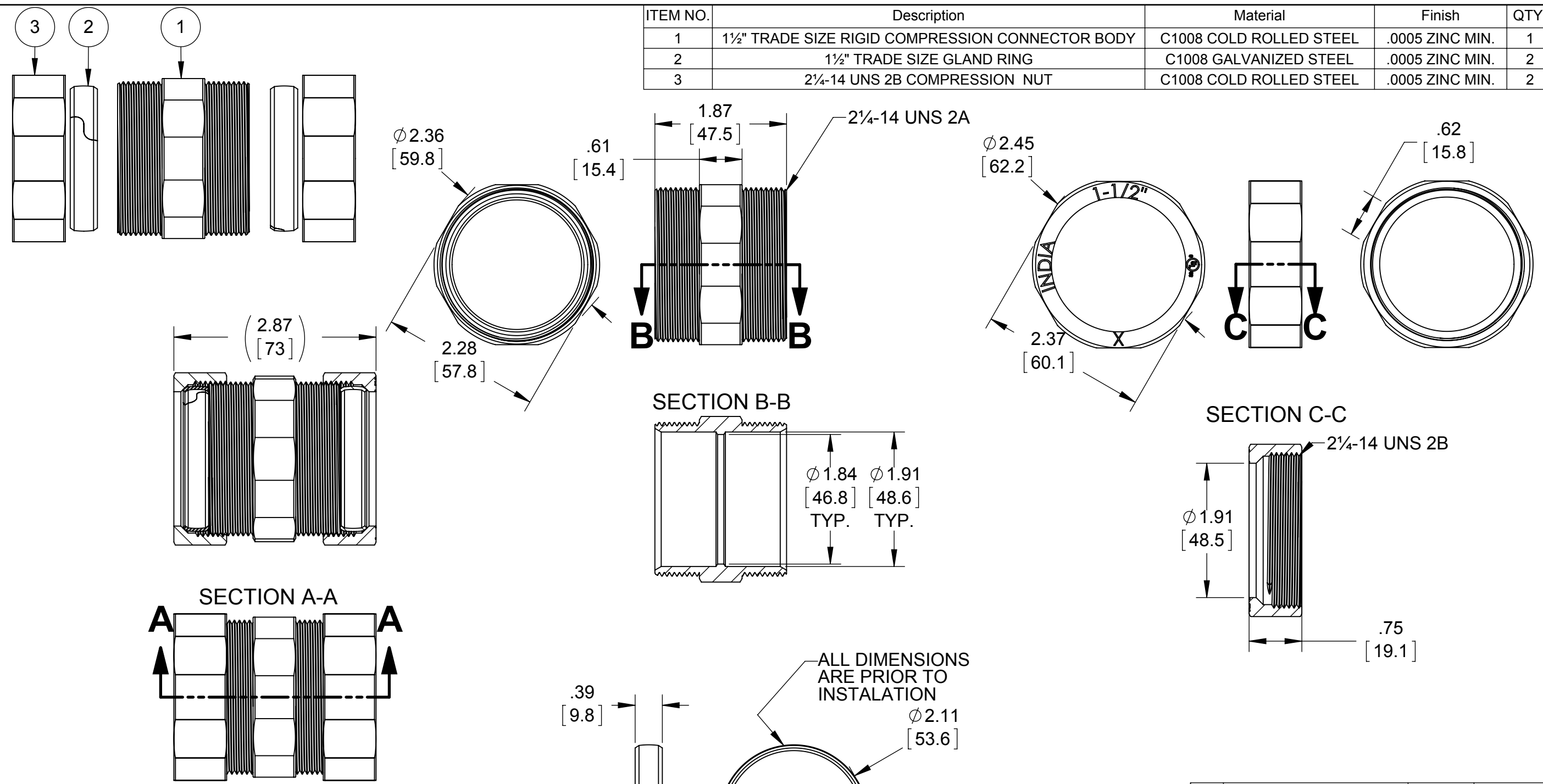


ITEM NO.	Description	Material	Finish	QTY.
1	1½" TRADE SIZE RIGID COMPRESSION CONNECTOR BODY	C1008 COLD ROLLED STEEL	.0005 ZINC MIN.	1
2	1½" TRADE SIZE GLAND RING	C1008 GALVANIZED STEEL	.0005 ZINC MIN.	2
3	2¼-14 UNS 2B COMPRESSION NUT	C1008 COLD ROLLED STEEL	.0005 ZINC MIN.	2



- NOTES:
1. ALL DIMENSIONS ARE IN INCHES AND [MILLIMETERS]
  2. COMPRESSION NUTS ARE TO BE TIGHTENED TO 1200 LBF-IN TORQUE
  3. CONCRETE TIGHT
  4. cULus® LISTED

	INITIAL RELEASE	M.C.	10/26/2015
SYM.	REVISION DESCRIPTION	APP	DATE
THE DESIGN AND DIMENSIONS OF THE PRODUCT SHOWN ON THIS DRAWING ARE SUBJECT TO CHANGE WITHOUT NOTICE			
TITLE: <b>1½" TRADE SIZE RIGID COMPRESSION COUPLER</b>			
TOLERANCE UNLESS OTHERWISE SPECIFIED		<b>RACO</b> South Bend, Indiana	
.XX DECIMAL ±.015	DRAWN BY: J.RICHARD	SCALE:	2:3
.XXX DECIMAL ±.005	APP. BY: M.C.		
ANGLE ±2°	DATE: 10/26/2015		