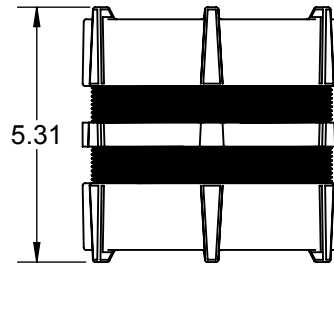


SECTION A-A



- NOTES:
 1. ALL DIMENSIONS ARE IN INCHES AND [MILLIMETERS]
 2. UL LISTED

LIST OF PARTS

| DESCRIPTION | MATERIAL | FINISH |
|-------------|----------------|-------------|
| BODY | MALLEABLE IRON | ZINC PLATED |
| CAP | MALLEABLE IRON | ZINC PLATED |
| SEAL RING | STEEL | ZINC PLATED |
| | | |
| | | |
| | | |
| | | |
| | | |

1836 CUS

| INITIAL RELEASE | RMV | 12-15-17 |
|-----------------|----------------------|----------|
| | | |
| SYM. | REVISION DESCRIPTION | DATE |

1836

DIMENSION SHEET FOR CAT. NO.

THE DESIGN AND DIMENSIONS OF THE PRODUCT SHOWN ON THIS DRAWING ARE SUBJECT TO CHANGE WITHOUT NOTICE

TITLE:
4" TS COMPRESSION COUPLING FOR EMT, IMC, & RIGID CONDUIT

TOLERANCE UNLESS OTHERWISE SPECIFIED

.XX DECIMAL ±.015
 .XXX DECIMAL ±.005
 ANGLE ±2°

RACO
 South Bend, Indiana

| | | |
|-----------|----------|--------|
| DRAWN BY: | RMV | SCALE: |
| APP. BY: | N.S. | 1:4 |
| DATE: | 12-15-17 | |

SIZE:
A

8.5in*11in