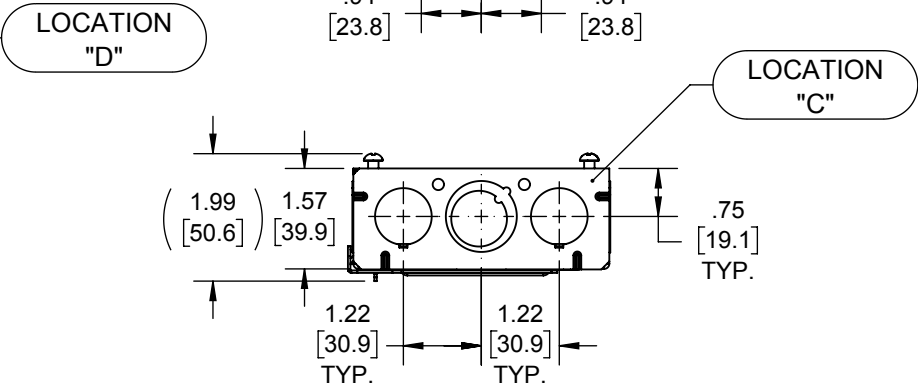
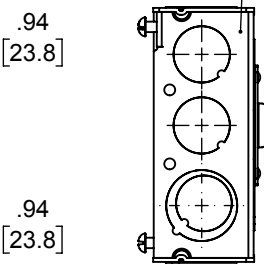
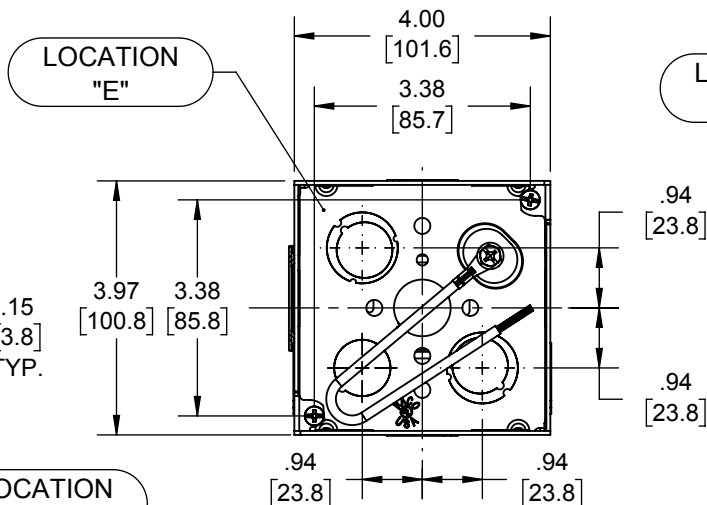
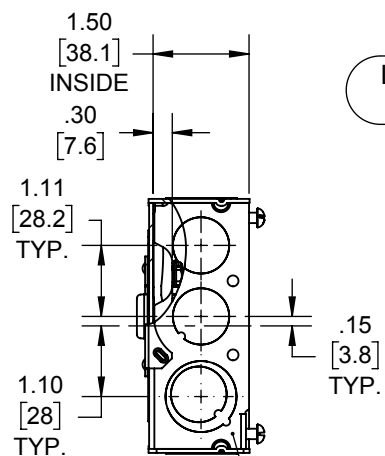
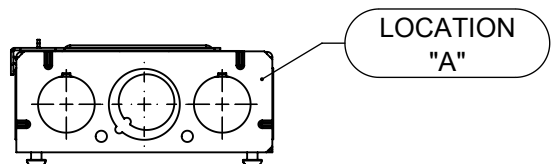


**PIGTAIL:**

WIRE: #12 AWG STRANDED, 10-1/2" LONG, GREEN INSULATED, U.L. LISTED, 600 VOLT MAX;  
EXTRA-GRIP RING TERMINAL, 16/12 AWG BRASS;  
#10-32 X 3/8" GROUND SCREW W/COMBO HEX WASHER HEAD (SLOTTED, #2 PHILLIPS AND ROBERTSON)



**NOTES:**

1. ALL DIMENSIONS ARE IN INCHES AND [MILLIMETERS]
2. BOX VOLUME: 21.0 IN<sup>3</sup> [344.1 CM<sup>3</sup>]
3. UL LISTED

KNOCKOUTS		
TRADE SIZE	LOCATION	QTY.
(1/2"-3/4") TKO®	A, B, C, D	1
1/2" KO	A, B, C, D, E	2
(1/2"-3/4") TKO®	E	2

**LIST OF PARTS**

DESCRIPTION	MATERIAL	FINISH
SPACER	STEEL	GALVANIZED
SIDE	STEEL	GALVANIZED
FARSIDE SUPPORT	STEEL	GALVANIZED
FASTENERS	STEEL	GALVANIZED
PIGTAIL	INSULATED STRANDED COPPER	N/A

189F CUS

SYM.	REVISION DESCRIPTION	APP	DATE
	INITIAL RELEASE	RMV	09-05-17

THE DESIGN AND DIMENSIONS OF THE PRODUCT SHOWN ON THIS DRAWING ARE SUBJECT TO CHANGE WITHOUT NOTICE

TITLE:  
**4" SQ. BOX, 1-1/2" DP., 1/2"-3/4" KO'S, W/ PIGTAIL & FARSIDE SUPPORT**

TOLERANCE UNLESS OTHERWISE SPECIFIED

.XX DECIMAL ±.015  
.XXX DECIMAL ±.005  
ANGLE ±2°

**RACO**

South Bend, Indiana

DRAWN BY:	RMV	SCALE:	1:3
APP. BY:	N.S.		
DATE:	09-05-17		

189F

DIMENSION SHEET FOR CAT. NO.

SIZE:

**A**

11in\*17in