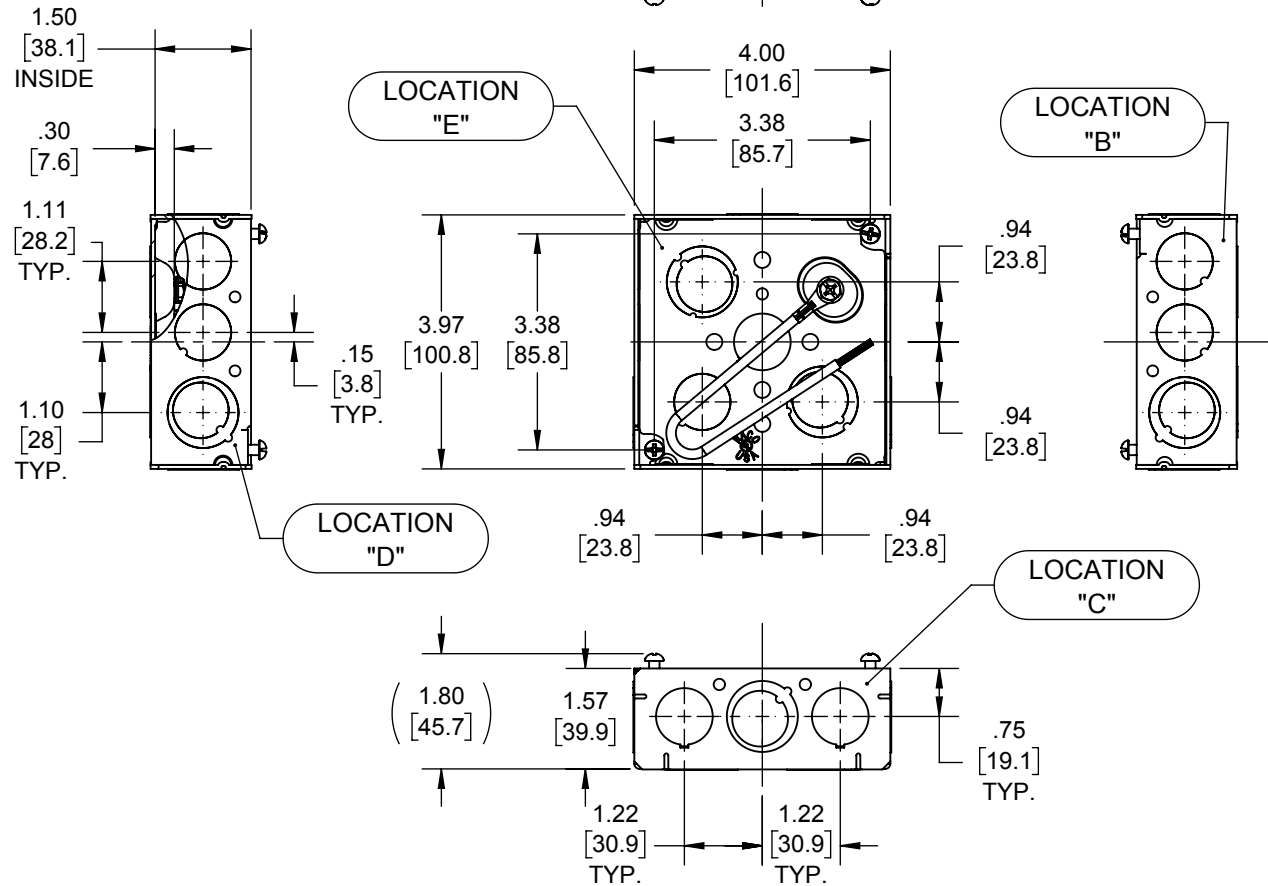


**PIGTAIL:**

WIRE: #12 AWG STRANDED, 10-1/2" LONG, GREEN INSULATED, U.L. LISTED, 600 VOLT MAX;  
 EXTRA-GRIP RING TERMINAL, 16/12 AWG BRASS;  
 #10-32 X 3/8" GROUND SCREW W/COMBO HEX WASHER HEAD (SLOTTED, #2 PHILLIPS AND ROBERTSON)



LIST OF PARTS		
DESCRIPTION	MATERIAL	FINISH
SPACER	STEEL	GALVANIZED
SIDE	STEEL	GALVANIZED
FASTENERS	STEEL	GALVANIZED
PIGTAIL	INSULATED STRANDED COPPER	N/A

189SM CUS

INITIAL RELEASE	RMV	08-24-17
SYM.	REVISION DESCRIPTION	DATE

THE DESIGN AND DIMENSIONS OF THE PRODUCT SHOWN ON THIS DRAWING ARE SUBJECT TO CHANGE WITHOUT NOTICE

TITLE:  
**4" SQ. BOX, 1-1/2" DP., 1/2"-3/4" KO'S, W/ PIGTAIL**

KNOCKOUTS		
TRADE SIZE	LOCATION	QTY.
(1/2"-3/4") TKO®	A, B, C, D	1
1/2" KO	A, B, C, D, E	2
(1/2"-3/4") TKO®	E	2

- NOTES:
- ALL DIMENSIONS ARE IN INCHES AND [MILLIMETERS]
  - BOX VOLUME: 21.0 IN<sup>3</sup> [344.1 CM<sup>3</sup>]
  - UL LISTED

TOLERANCE UNLESS OTHERWISE SPECIFIED

.XX DECIMAL ±.015  
 .XXX DECIMAL ±.005  
 ANGLE ±2°

**RACO**  
 South Bend, Indiana

DRAWN BY: RMV  
 APP. BY: N.S.  
 DATE: 08-24-17

SCALE: 1:3

189SM  
 DIMENSION SHEET FOR CAT. NO.

SIZE:  
**A**

11in\*17in