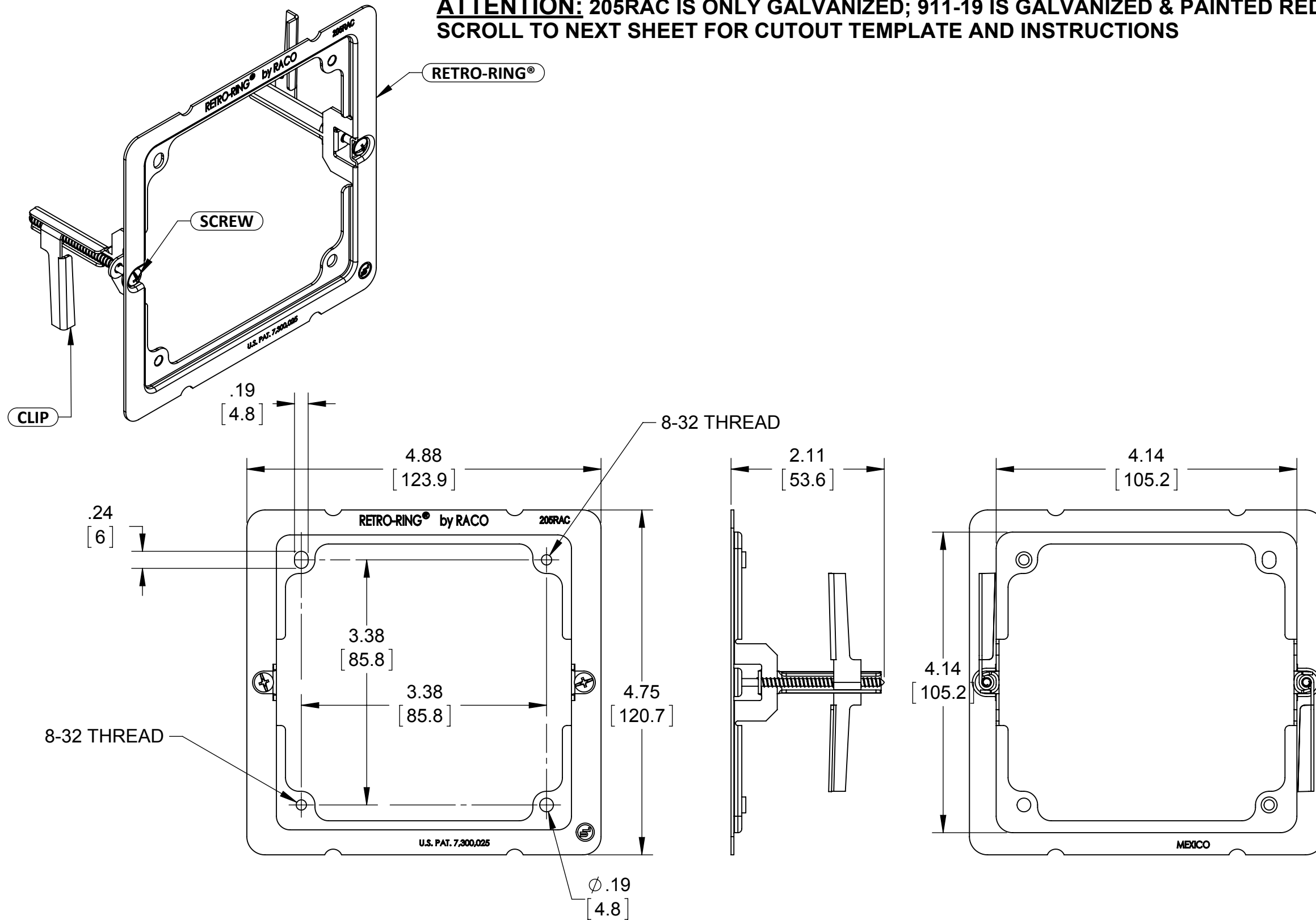


**ATTENTION: 205RAC IS ONLY GALVANIZED; 911-19 IS GALVANIZED & PAINTED RED**  
**SCROLL TO NEXT SHEET FOR CUTOUT TEMPLATE AND INSTRUCTIONS**



**LIST OF PARTS**

DESCRIPTION	MATERIAL	FINISH
RETRO-RING®	STEEL	GALVANIZED / RED PAINT
SCREW	STEEL	GALVANIZED
CLIP	STEEL	GALVANIZED

FILE NO. : 911-19 CUS

205RAC & 911-19

DIMENSION SHEET FOR CAT. NO.

	INITIAL RELEASE	N.S.	08/24/2015
SYM.	REVISION DESCRIPTION	APP	DATE

THE DESIGN AND DIMENSIONS OF THE PRODUCT SHOWN ON THIS DRAWING ARE SUBJECT TO CHANGE WITHOUT NOTICE

TITLE: **RETRO-RING®:  
 OLDWORK 4" SQ. BOX LIFE  
 SAFETY DEVICE MOUNTING**

TOLERANCE UNLESS OTHERWISE SPECIFIED  .XX DECIMAL ±.015 .XXX DECIMAL ±.005 ANGLE ±2°	<b>RACO</b> South Bend, Indiana		SCALE:  2:3
	DRAWN BY:	J.R.	
	APP. BY:	N.S.	
	DATE:	08/24/2015	

- NOTES:  
 1. ALL DIMENSIONS ARE IN INCHES AND [MILLIMETERS]  
 2. FOR USE WITH LIFE SAFETY DEVICES  
 3. UL LISTED  
 4. U.S. PAT. 7,300,025

SIZE: **B**

**ATTENTION:**  
**DIMENSIONS MUST BE AS**  
**SHOWN  $\pm 1/16"$  [1.58MM]**  
**AFTER PRINTING TO USE**  
**TEMPLATE FOR**  
**INSTALLATION!!!**  
(SHEET SIZE 11 X 8.5)

**Retro-Ring<sup>®</sup> by RACO<sup>®</sup>**

**Installation Instructions for 205RAC, 206RAC & 911-19 models**

Step 1 - Using a pencil, transfer the shape of this template onto wall in desired location. Keep sides of template at least 1-1/2" from edge of studs. Template is positioned correctly if these instructions can be read.

Step 2 - Saw along the outline using a drywall saw to create an opening in the wall.

Step 3 - Attach a 4" square electrical box to Retro-Ring<sup>®</sup> using the two cover mounting screws supplied with the box (Retro-Ring<sup>®</sup> can be used without box for low voltage devices - check your local code). Pass the mounting screws through the unthreaded holes in Retro-Ring<sup>®</sup>, and thread screws into box.

Step 4 - Position Retro-Ring<sup>®</sup> into the wall opening and secure by turning the two retention screws clockwise until ring is secure.

Step 5 (for 205RAC & 911-19) - Complete wiring of device according to manufacturer's instructions, and secure by screwing the two 8-32 screws supplied with device into threaded holes in the Retro-Ring<sup>®</sup>.

Step 5 (for 206RAC) - Complete wiring of device(s) according to manufacturer's instructions, and secure to Retro-Ring<sup>®</sup> using two 6-32 screws supplied with device. Complete by installing suitable cover plate (not included).



**ELECTRICAL PRODUCTS**  
A Division of Hubbell Incorporated (Delaware)

[www.hubbell.com](http://www.hubbell.com)

U.S. Patent No. 7,300,025  
119938  
RA-INSTR 03 rev 2

