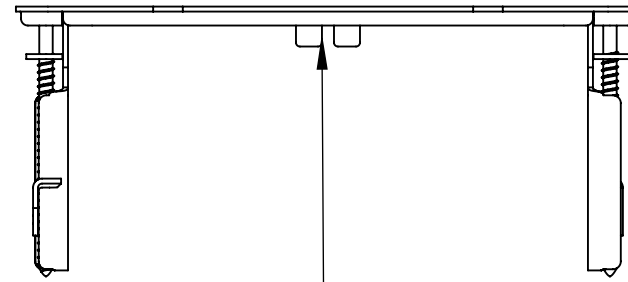
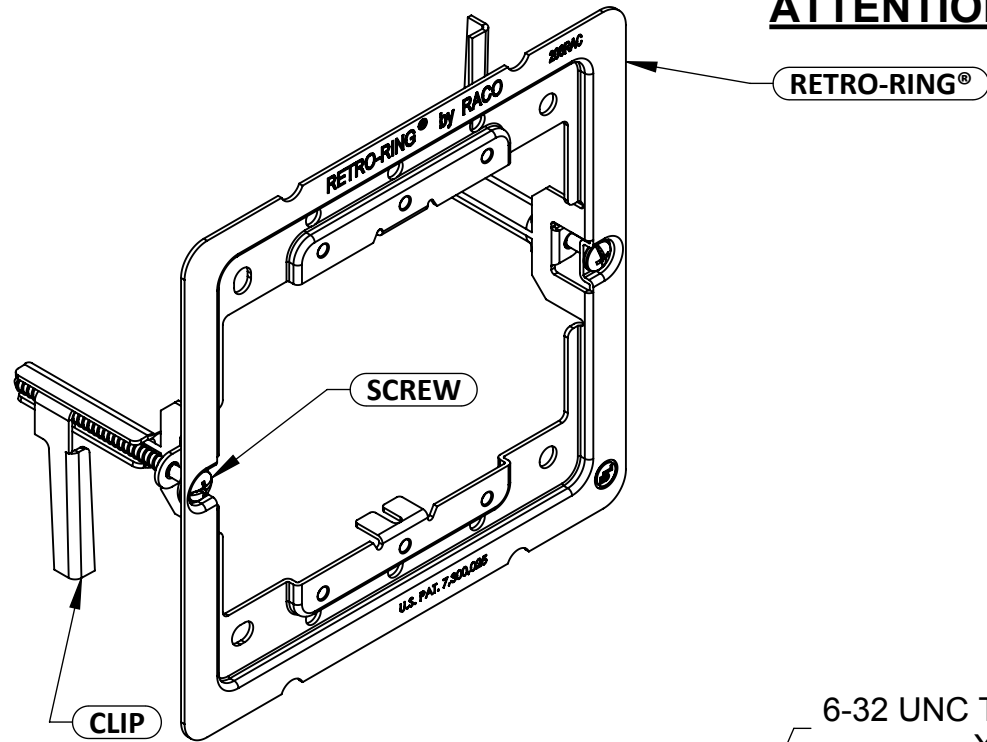
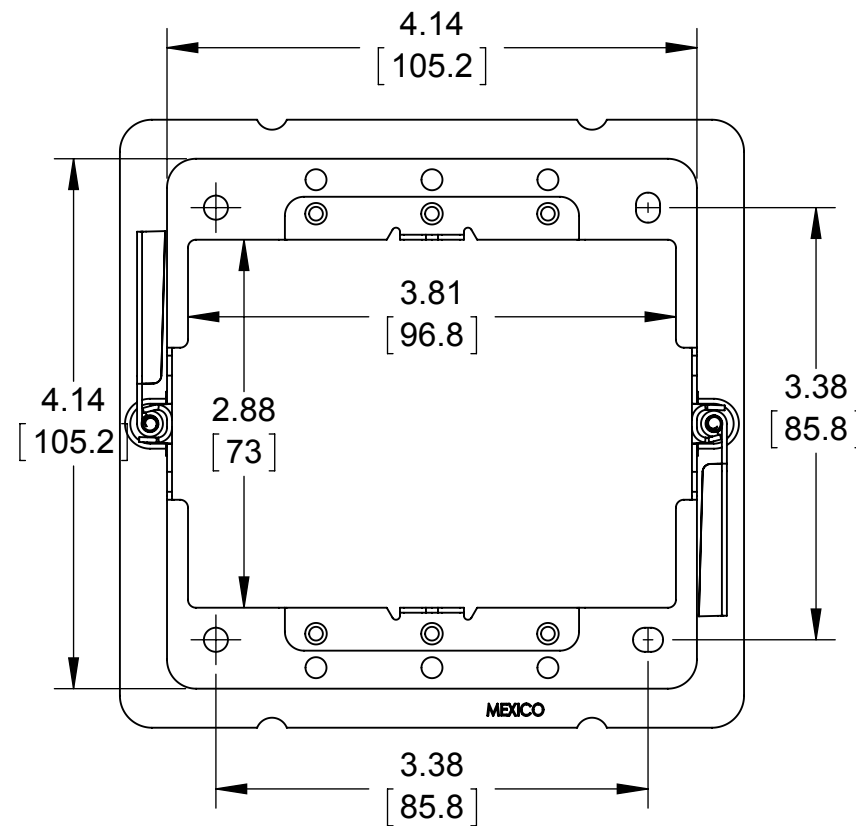
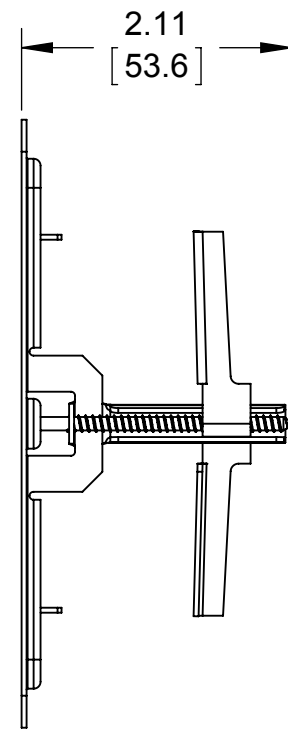
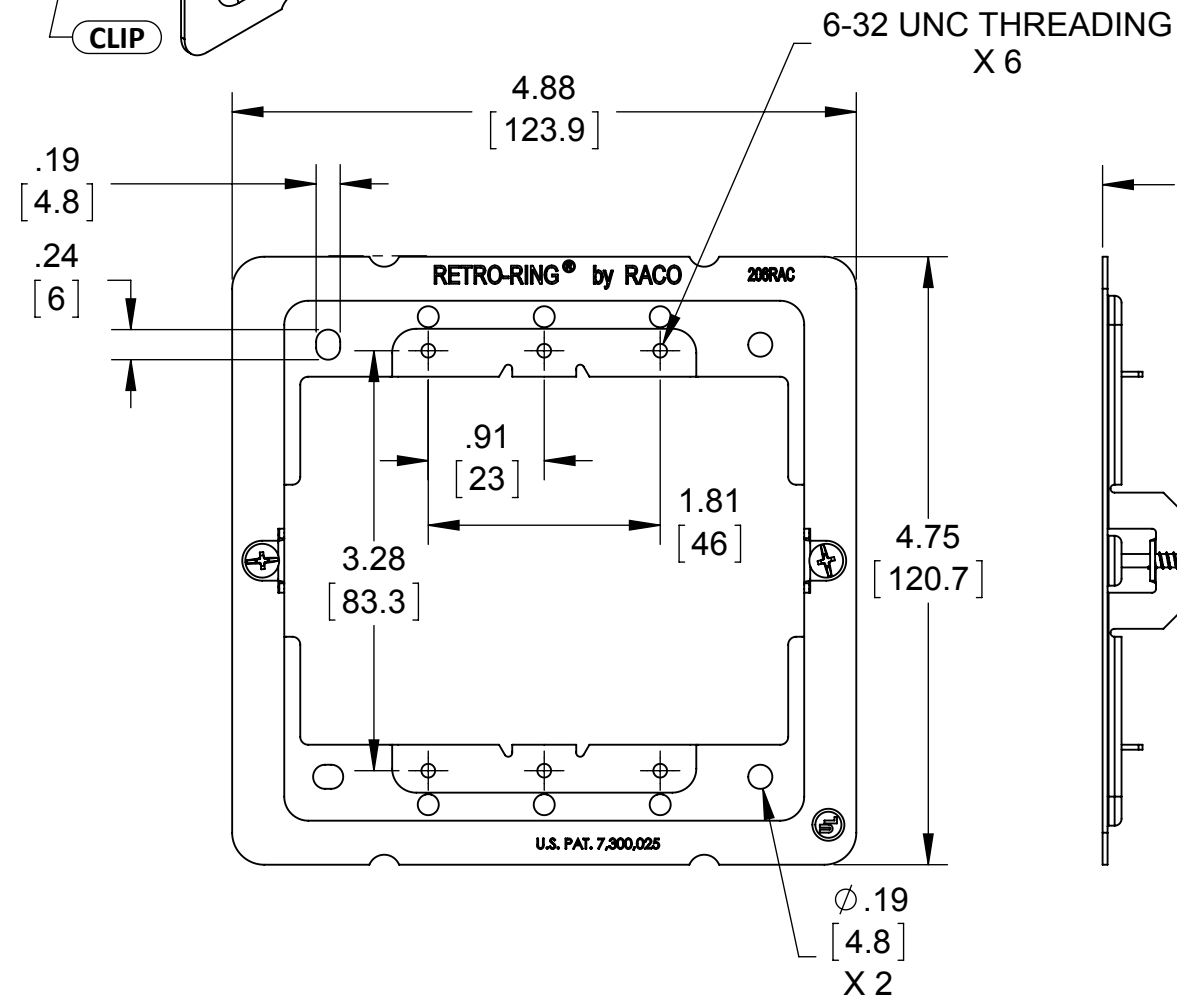


ATTENTION: SCROLL TO NEXT SHEET FOR CUTOUT TEMPLATE AND INSTRUCTIONS



ACCEPTS LOW VOLTAGE PARTITION
CATALOG NUMBER 706RAC OR 707RAC
(SOLD SEPERATELY)



LIST OF PARTS

DESCRIPTION	MATERIAL	FINISH
RETRO-RING®	STEEL	GALVANIZED
SCREW	STEEL	GALVANIZED
CLIP	STEEL	GALVANIZED

FILE NO. :
206RAC CUS

206RAC, 8206RAC, & 8206RACX

DIMENSION SHEET FOR CAT. NO.

SYM.	REVISION DESCRIPTION	APP	DATE
	INITIAL RELEASE	N.S.	08/24/2015

THE DESIGN AND DIMENSIONS OF THE
PRODUCT SHOWN ON THIS DRAWING ARE
SUBJECT TO CHANGE WITHOUT NOTICE

TITLE: **RETRO-RING®:
OLDWORK 4" SQ. BOX 1 AND/OR
2 DEVICE MOUNTING**

TOLERANCE UNLESS OTHERWISE SPECIFIED .XX DECIMAL ±.015 .XXX DECIMAL ±.005 ANGLE ±2°	RACO South Bend, Indiana		SCALE: 2:3
	DRAWN BY:	J.R.	
	APP. BY:	N.S.	
	DATE:	08/24/2015	

SIZE:
B

- NOTES:
- ALL DIMENSIONS ARE IN INCHES AND [MILLIMETERS]
 - FOR USE WITH 1 AND/OR 2 DEVICES
 - ACCEPTS LOW VOLTAGE PARTITION CATALOG NUMBER 706RAC OR 707RAC (SOLD SEPERATELY)
 - UL LISTED
 - U.S. PAT. 7,300,025

ATTENTION:
DIMENSIONS MUST BE AS
SHOWN $\pm 1/16"$ [1.58MM]
AFTER PRINTING TO USE
TEMPLATE FOR
INSTALLATION!!!
(SHEET SIZE 11 X 8.5)

TEMPLATE WORKS FOR
8206RAC & 8206RACX ALSO
USE STEP 5

Retro-Ring[®] by RACO[®]

Installation Instructions for 205RAC, 206RAC & 911-19 models

Step 1 - Using a pencil, transfer the shape of this template onto wall in desired location. Keep sides of template at least 1-1/2" from edge of studs. Template is positioned correctly if these instructions can be read.

Step 2 - Saw along the outline using a drywall saw to create an opening in the wall.

Step 3 - Attach a 4" square electrical box to Retro-Ring[®] using the two cover mounting screws supplied with the box (Retro-Ring[®] can be used without box for low voltage devices - check your local code). Pass the mounting screws through the unthreaded holes in Retro-Ring[®], and thread screws into box.

Step 4 - Position Retro-Ring[®] into the wall opening and secure by turning the two retention screws clockwise until ring is secure.

Step 5 (for 205RAC & 911-19) - Complete wiring of device according to manufacturer's instructions, and secure by screwing the two 8-32 screws supplied with device into threaded holes in the Retro-Ring[®].

Step 5 (for 206RAC) - Complete wiring of device(s) according to manufacturer's instructions, and secure to Retro-Ring[®] using two 6-32 screws supplied with device. Complete by installing suitable cover plate (not included).



ELECTRICAL PRODUCTS
A Division of Hubbell Incorporated (Delaware)

www.hubbell.com

U.S. Patent No. 7,300,025
119938
RA-INSTR 03 rev 2

