

CONDUCTOR SIZE (FLEX ONLY)	CATALOG NO.	FIG	O.D.	B	C	E	K	L	N	T REF.	Y MIN.	STUD SIZE	INSTALLATION TOOLING					CABLE STRIP LENGTH				
													DIELESS	DIE INDEX & EMBOSSMENT	Y35, Y39, Y750		Y45		Y46	TBM15PF	T & B DIE CODES	
															Y45	Y46					12 TONS	15 TONS
4/0 (550/24)	YAV28-2TC38-FX-YEL	1	.77 [20]	1.62 [41]	1.13 [29]	1.00 [25]	.40 [10]	4.05 [103]	.41 [10]	.15 [4]	1.43 [36]	3/8"	MECHANICAL: MY29-3 (2) MY29-11 (2) HYDRAULIC: Y644M (1)	16	YELLOW	U29RT (2)	62	62	1-11/16			
4/0 (550/24)	YAV28-2NTC-FX-YEL	1	.77 [20]	1.62 [41]	1.13 [29]	1.75 [44]	.56 [14]	5.24 [133]	.63 [16]	.15 [4]	2.40 [61]	1/2"	MECHANICAL: MY29-3 (1) MY29-11 (1) HYDRAULIC: Y644M (1)	16	YELLOW	U29RT (2)	62	62	1-11/16			
4/0 (550/24)	YAV28L-2TC38-FX-YEL	2	.77 [20]	1.03 [26]	1.14 [29]	1.00 [25]	.40 [10]	3.43 [87]	.41 [10]	.15 [4]	1.43 [36]	3/8"	MECHANICAL: MY29-3 (1) MY29-11 (1) HYDRAULIC: Y644M (1)	16	YELLOW	U29RT (1)	62	62	1-1/8			
4/0 (550/24)	YAV28L-2NT38-FX-YEL	2	.77 [20]	1.03 [26]	.94 [24]	1.00 [25]	.40 [10]	3.44 [87]	.41 [10]	.15 [4]	1.43 [36]	3/8"	MECHANICAL: MY29-3 (1) MY29-11 (1) HYDRAULIC: Y644M (1)	16	YELLOW	U29RT (1)	62	62	1-1/8			

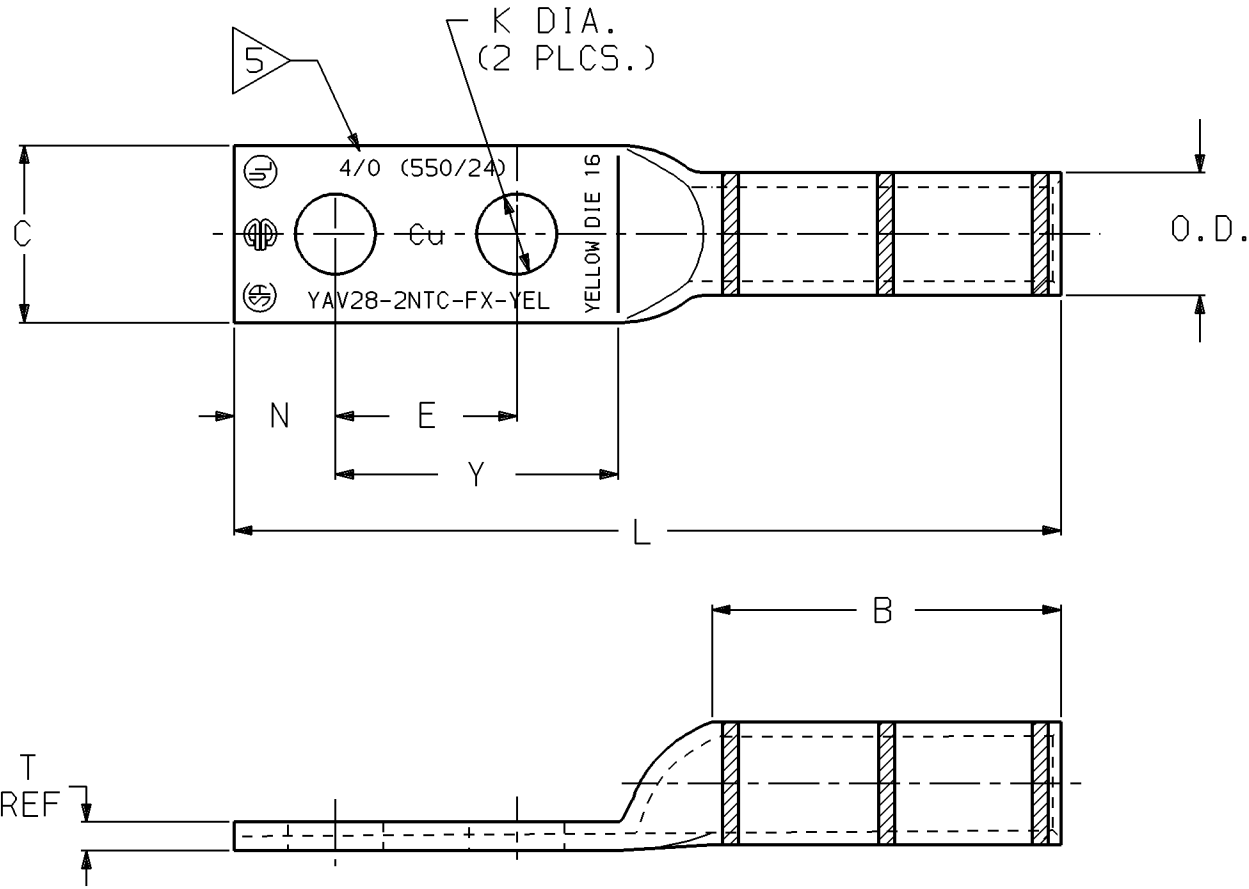


FIG. 1

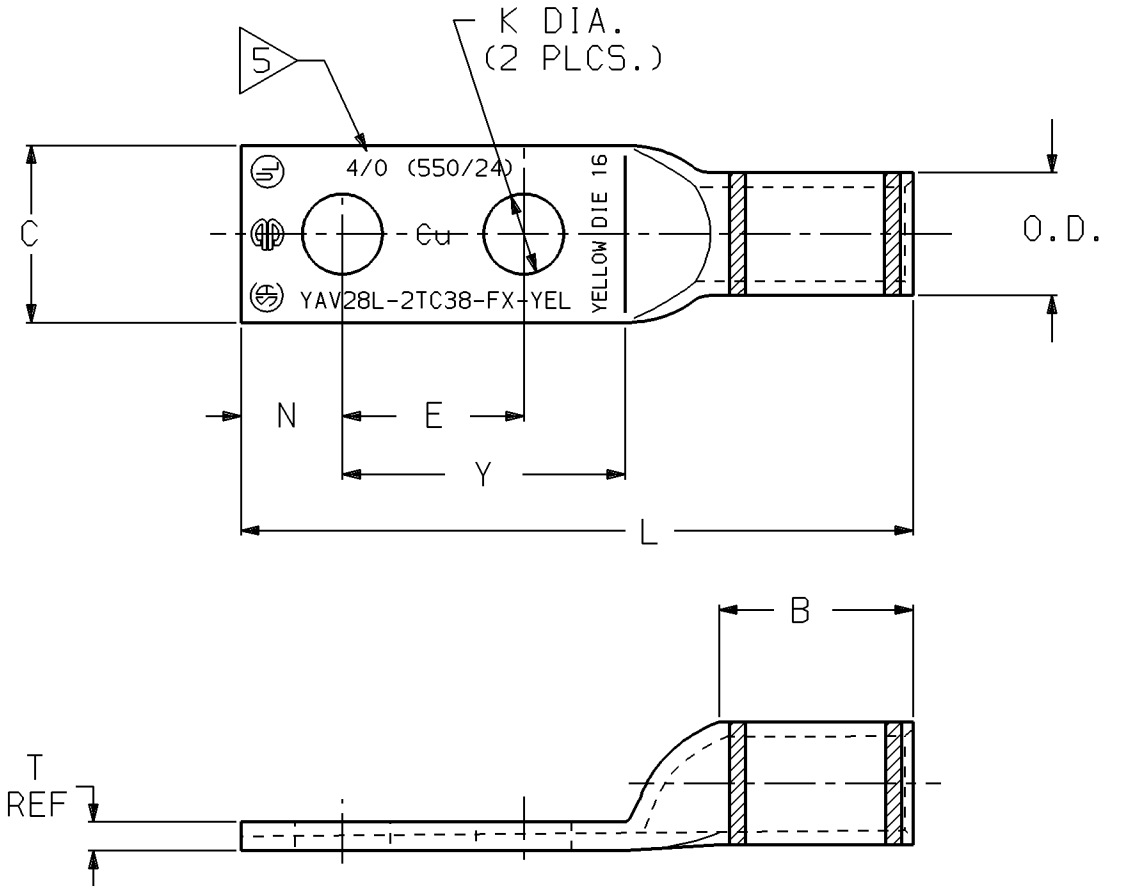


FIG. 2

NOTES:

1. MATERIAL: COPPER TUBING
2. FINISH: TIN-PLATED
3. DIMENSIONS IN BRACKETS [] ARE IN MILLIMETERS ROUNDED OFF TO THE NEAREST MILLIMETER, UNLESS OTHERWISE NOTED, AND ARE FOR REFERENCE ONLY.
4. REQUIRES USE OF T & B ADAPTER #15500.
5. LUGS ARE STAMPED WITH STANDARD FLEXIBLE CONDUCTOR SIZES.
6. USE CAT. NO. PT6515 ADAPTER (ORDERED SEPARATELY) WHEN USING 'U' DIES IN Y45 TOOL.
7. USE CAT. NO. PUADP-1 ADAPTER (ORDERED SEPARATELY) WHEN USING 'U' DIES IN Y46 TOOL.

REV.	DATE	DESCRIPTION	BY	C'K'D.
1	09-JAN-96	ADDED FIGURE 2 AND YAV28L- SERIES (PCN 2715)	NSP	JLM
0	7-7-93	DRAWING RELEASED	RER	

HYLUG™	
CAT NO. YAV28- (SEE TABLE)	SCALE NONE
DRAWN: R. ROBICHEAU 25-MAY-93	CHECKED: M. PITTENDEIGH 6-3-93
DSGN APPVL: C. PALAGI 6-4-93	MFG APPVL: .
Q.A. APPVL: A. LLOYD 6-7-93	MKTG APPVL: G. GORDON 6-11-93
CAD FILE: SD208504-SHT01	PM REF: N/A
MDL REF: N/A	
PROJECT: D.O. 52653	
BURNDY®	
DRAWING NO. SD208504	
SHEET 1 of 1	
REV	1

REV: 061995