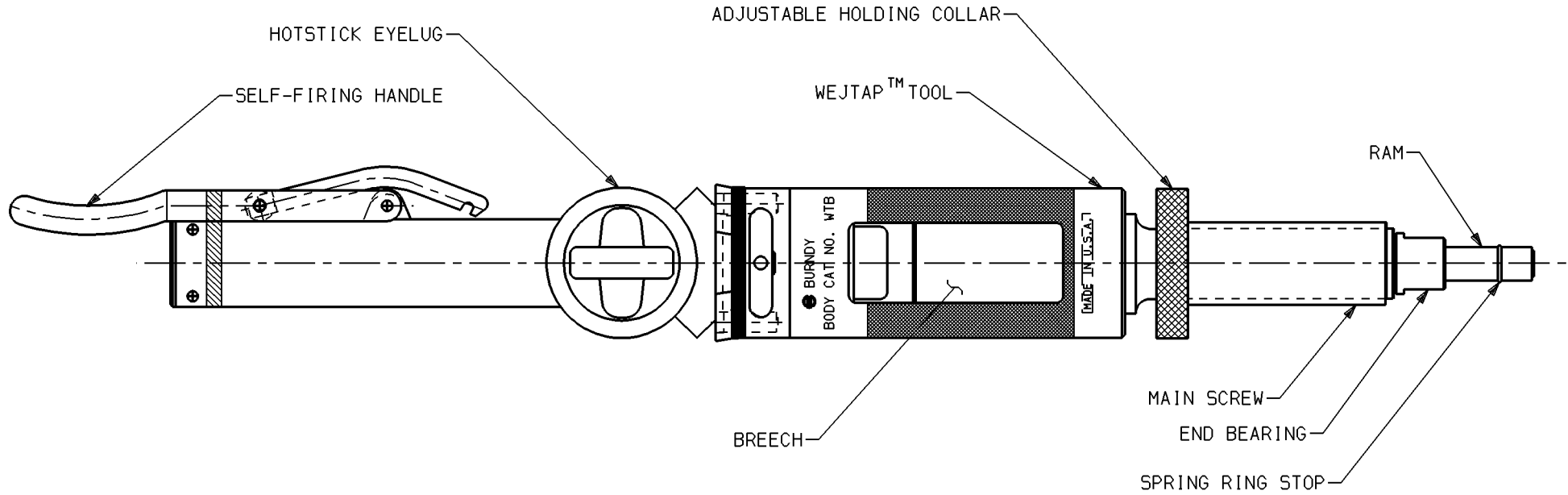


REV.	DATE	DESCRIPTION	BY	C'K'D.
0	10-JUL-95	DRAWING RELEASED	NSP	RDP



REV: 061995

SELF-FIRING BREECH ADAPTOR ASSY.			
CAT NO: WTBGBW			SCALE N/A
DRAWN: N. PRESSMAN 05-JUL-95	CHECKED: R. PERREAULT 05-JUL-95		
DSGN APPVL: G. STELTZER 10-JUL-95	MFG APPVL: N/A		
Q.A. APPVL: D. VARIO 10-JUL-95	MKTG APPVL: M. BLAKE 10-JUL-95		
CAD FILE: SC209762-SHT01	PM REF: N/A		
http://www.burndy.com		MDL REF: N/A	
BURNDY ELECTRICAL		PROJECT: DO 53386	
MANCHESTER, NH 03108		DRAWING NO.	REV
U. S. A.		SC209762	0
		SHEET 1 OF 1	