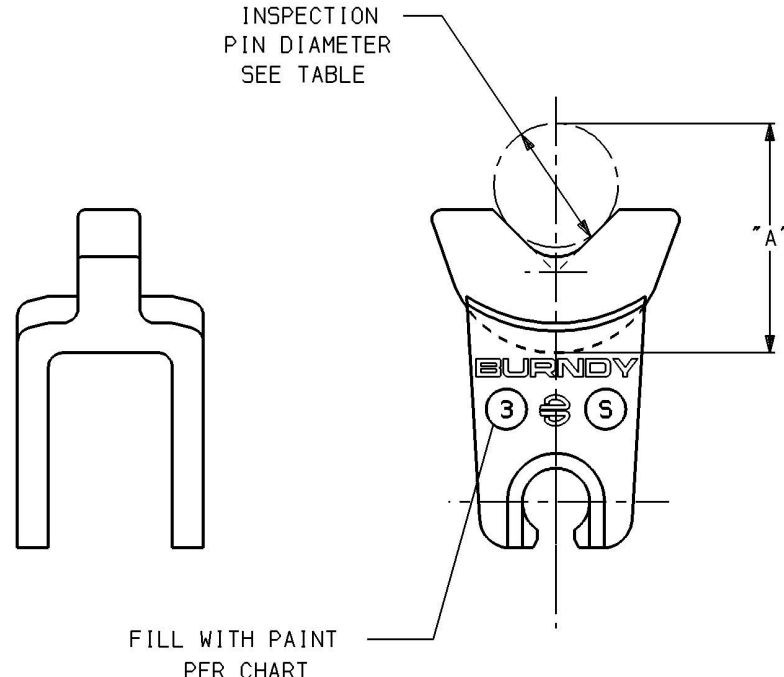
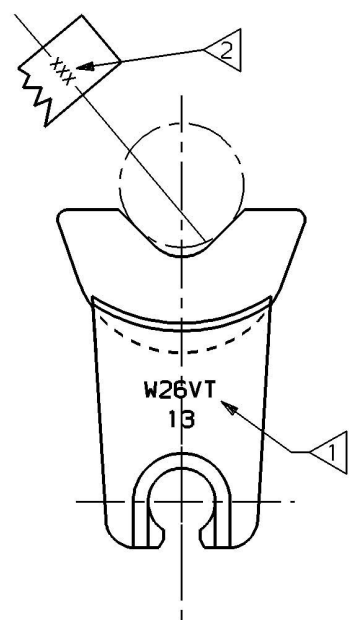


DRAWING NO.
SD211093

3 CATALOG NUMBER	COLOR CODE	2 DIE INDEX	PIN DIAMETER ±.0005	A ±.002	1 LETTERING
W8CVT	RED	49	.1250	.654	W8CVT 49
W5CVT	BLUE	7	.1250	.637	W5CVT 7
W4CVT	GRAY	8	.2500	.753	W4CVT 8
W2CVT	BROWN	10	.3750	.836	W2CVT 10
W1CVT	GREEN	11	.3750	.836	W1CVT 11
W25VT	PINK	12	.5000	.941	W25VT 12
W26VT	BLACK	13	.5000	.927	W26VT 13
W27VT	ORANGE	14	.6250	1.023	W27VT 14
W28VT	PURPLE	15	.6250	.987	W28VT 15
W29VT	YELLOW	16	.7500	1.111	W29VT 16
W30VT	WHITE	17	.5000	.765	W30VT 17
W31VT	RED	18	.6250	.876	W31VT 18
W32VT	BLUE	19	.6250	.822	W32VT 19
W33VT	GRAY	326	.5000	.647	W33VT 326
W34VT	BROWN	20	.5000	.624	W34VT 20

REV.	DATE	DESCRIPTION	BY	C'K'D.
0	8/5/97	DRAWING RELEASED	PL	KH



NOTES:

- 1 METAL STAMP LETTERING AS SHOWN IN TABLE.
- 2 INDEX NUMBER TO BE REVERSED STAMPED OR ENGRAVED IN THE CRIMPING GROOVE. LOCATE THE BURNDY SYMBOL ON THE OPPOSITE SIDE OF THE CRIMPING GROOVE.
- 3 CATALOG NUMBER CONSIST OF TWO(2) DIE HALVES.

W-DIES			
CAT NO: W_CVT, W__VT	SCALE	NONE	
DRWN: P LAPONTIUS	8/5/97	CHECKED: K HENRY	8/5/97
DSGN APPVL: G HESKEY	8/5/97	MFG APPVL: N/A	
Q.A. APPVL: J BRODEUR	8/5/97	MKTG APPVL: D HAMILTON	8/5/97
CAD FILE: SD211093-SHT01	PH REF: N/A		
MOL REF: N/A		PROJECT: D053865	
PROJECT: D053865		DRAWING NO.	REV
BURNDY		SD211093	0
SHEET 1 OF 1			

REV. 061995