

DRAWING NO.
SC211887

4

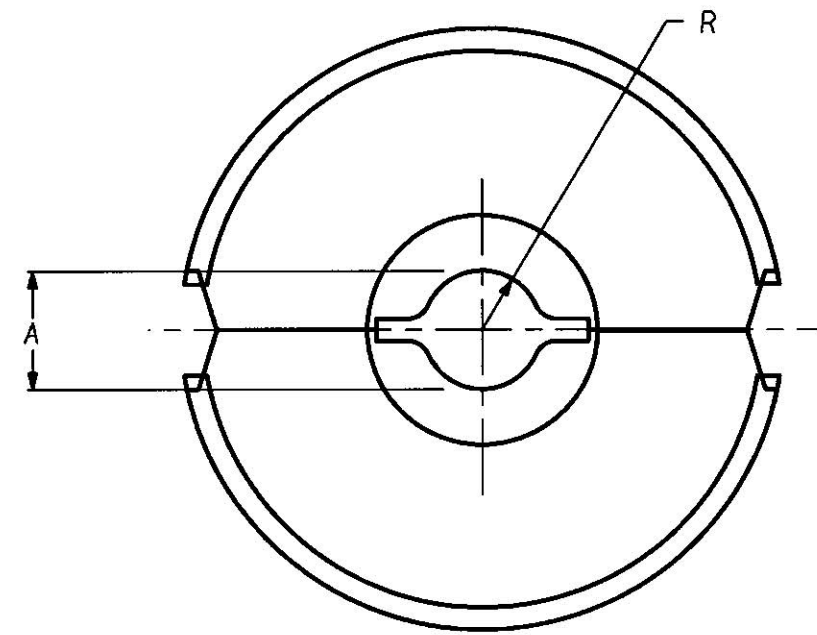
3

2

1

REV.	DATE	DESCRIPTION	BY	C.K'D.
0	12/08/98	DRAWING RELEASED	DB	JL

CATALOG NO.	DIM. "A" REF.	DIM. "R" REF.
L28RT	.53 [13]	.30 [8]
L29RT	.64 [16]	.32 [8]
L30RT	.70 [18]	.35 [8]
L31RT	.75 [19]	.38 [10]
L32RT	.81 [21]	.40 [10]
L34RT	.92 [23]	.47 [12]
L36RT	1.00 [25]	.49 [12]
L37RT	1.03 [26]	.52 [13]
L38RT	1.07 [27]	.54 [14]
L39RT	1.11 [28]	.56 [14]
L40RT	1.15 [29]	.57 [14]
L44RT	1.30 [33]	.65 [17]
L45RT	1.45 [37]	.73 [19]
L46RT	1.59 [40]	.80 [20]
L47RT	1.66 [42]	.83 [21]



NOTES:

- FOR USE IN FCI ELECTRICAL, BURNDY® HYPRESS™ Y60BH, Y60BHU CRIMPING PRESS.
- DIMENSIONS IN BRACKETS [] ARE IN MILLIMETERS ROUNDED OFF TO THE NEAREST MILLIMETER, UNLESS OTHERWISE NOTED, AND ARE FOR REFERENCE ONLY.

CIRCULAR BUTTING DIE			
CAT NO: L__RT (SEE TABLE)	SCALE: NTS		
DRAWN: D. BOISVERT	10/28/98	CHECKED: J. LAFAYOUR	12/03/98
DSGN APPL: R. POIRIER 12/03/98	MFG APPL: N/A		
S.A. APPL: S. GRAY 12/07/98	MKTG APPL: N/A		
CAD FILE: SC211887-01_0	PH REF: N/A		
MOL REF: N/A			
PROJECT: DOS4073			
DRAWING NO.		REV	
SC211887		0	
SHEET 1 of 1			



REV. 081995

4

3

2

1