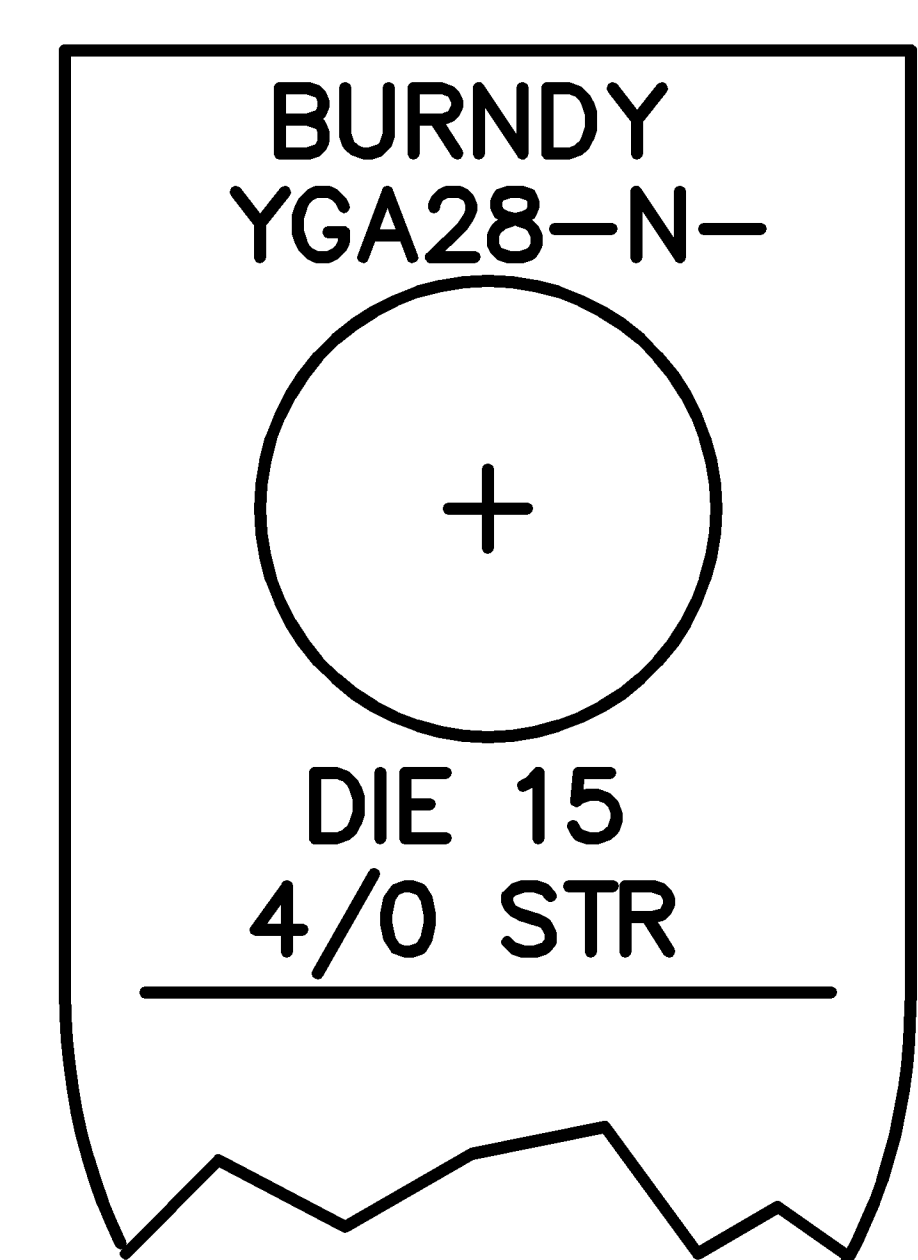
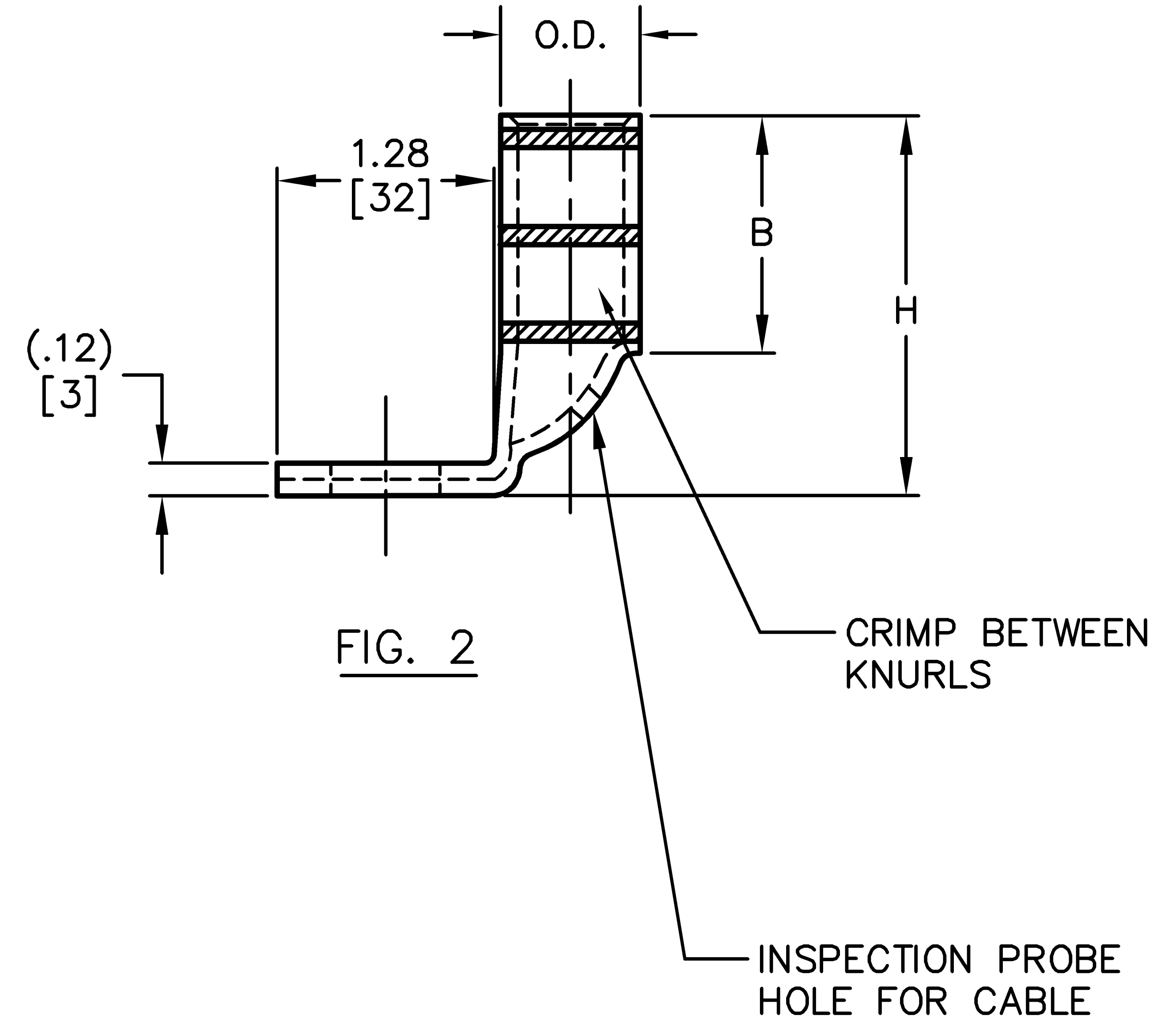
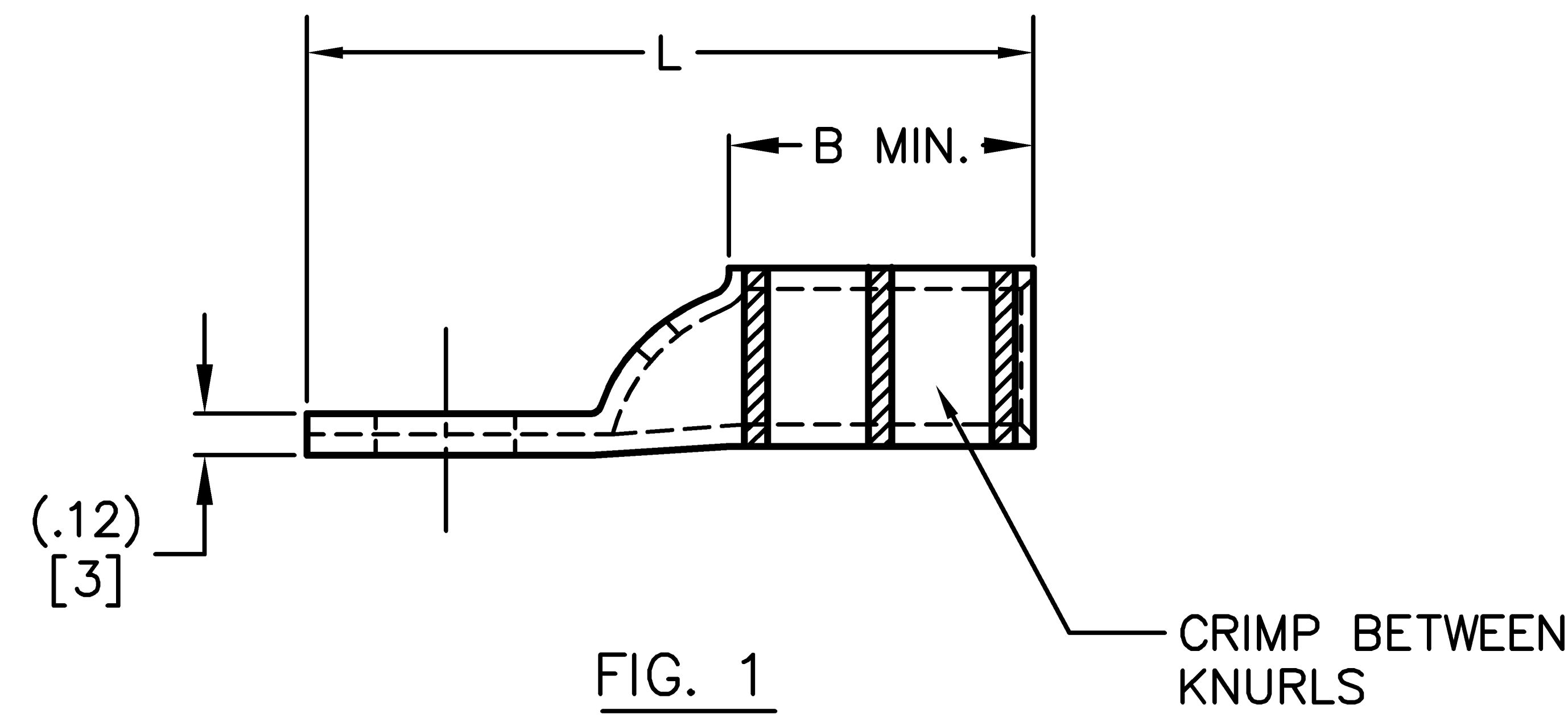
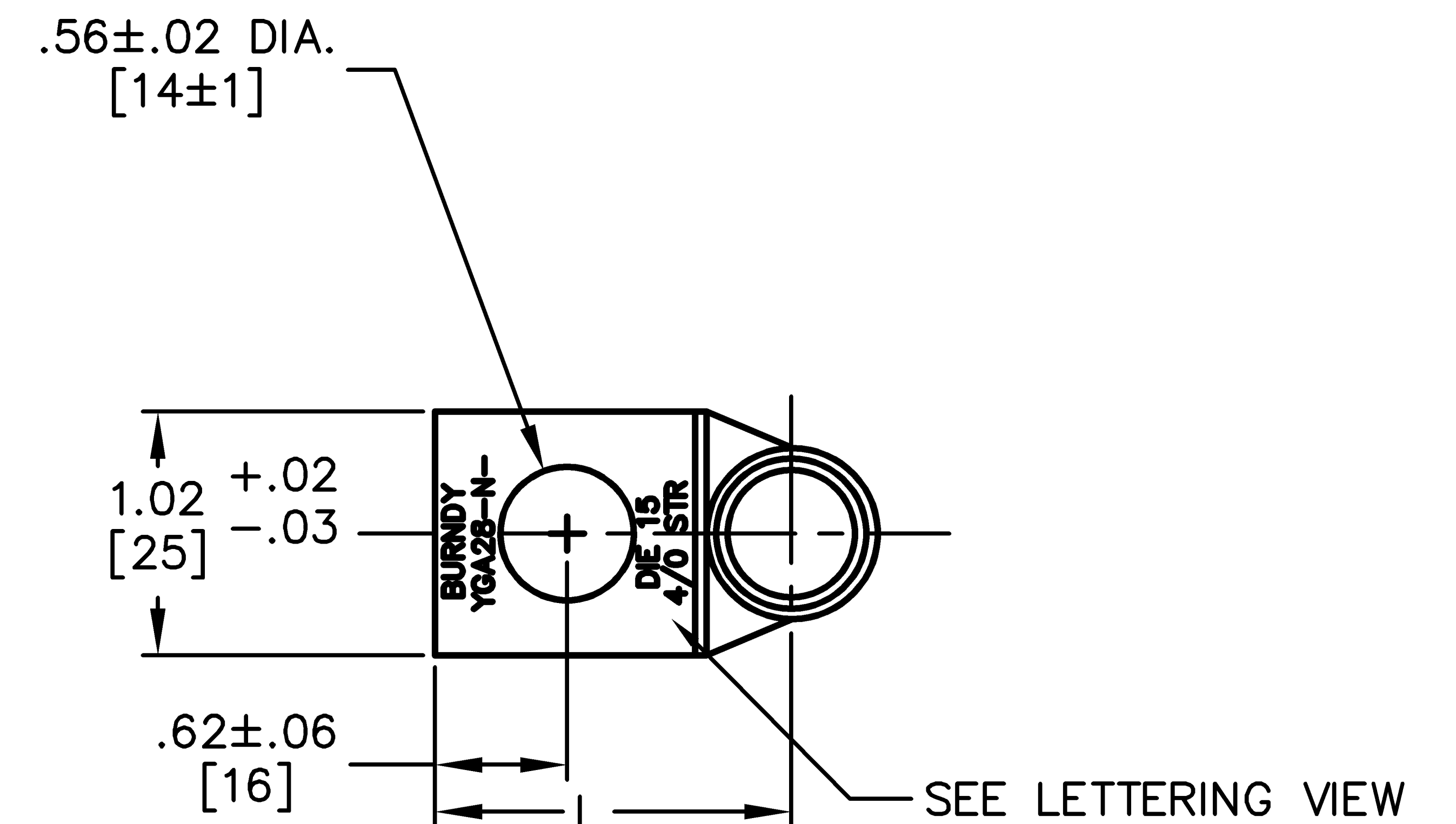
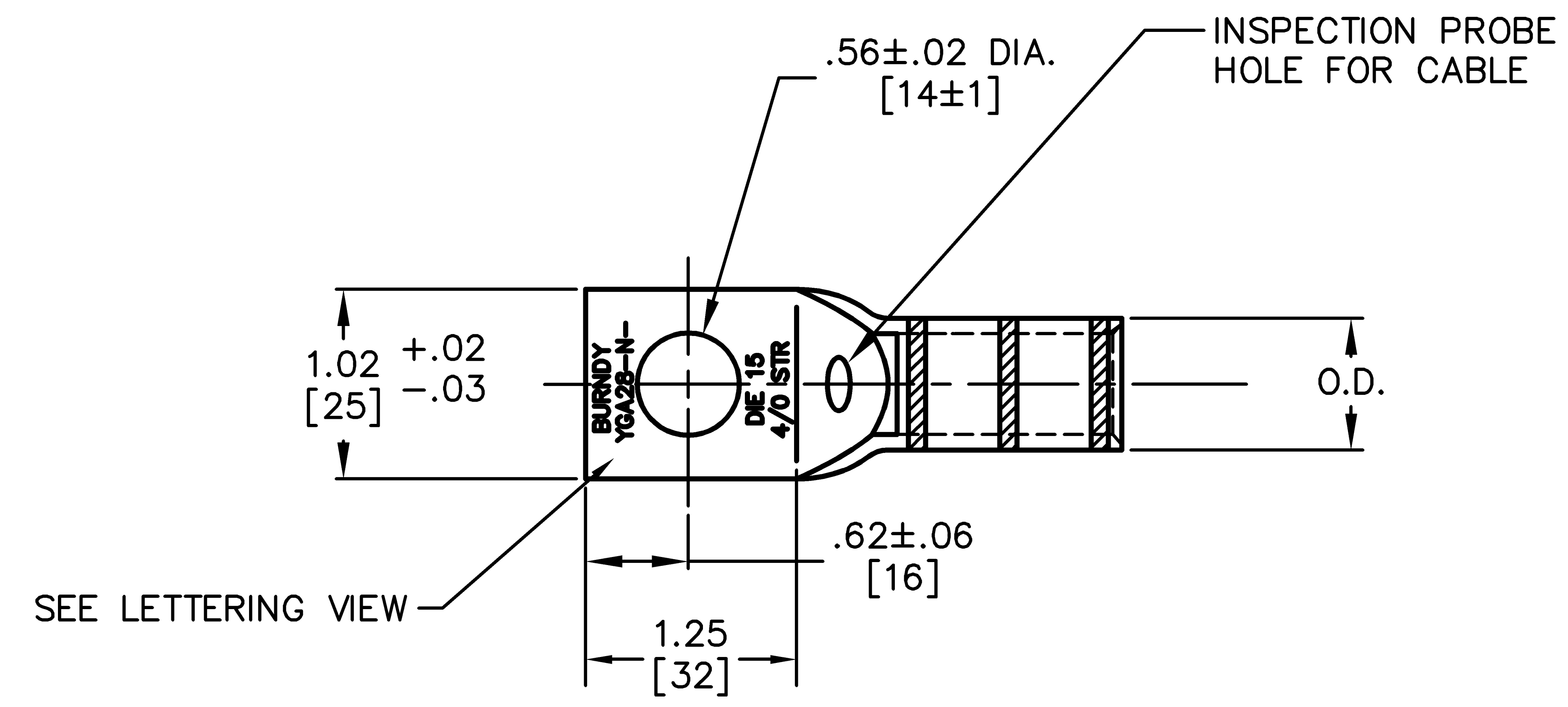


CATALOG NO.	COPPER CONDUCTOR			DIMENSIONS				COLOR CODE	DIE INFORMATION		INSTALLATION TOOLING (# CRIMPS)								DIELESS (# CRIMPS)	WIRE STRIP LENGTH
	SIZE	FIG.	STR.	B MIN.	H ±.090	L ±.12	O.D.		DIE INDEX	TYPE	MECHANICAL RATCHET				HYDRAULIC					
											OUR840	MD6 MD7	MD6--R2 BAT500	MD7-34R	Y34A, Y39, Y34BH	Y35, Y39, Y750 BAT35, BAT750	Y46	Y45		
YGA28-N	4/0 (.528 DIA.)	1	7,12,19	1.59 [40]	2.39 [62]	3.41 [65]	.69 [18]	PURPLE	15	PURPLE DIE SET	X28RT (6)	W28RT (4) W28VT (4)	W28RT (4) W28VT (4)	W28RT (4) W28VT (4)	----	U28RT (2)	U28RT (2)	U28RT (2)	MECHANICAL: MY29-3 (2) MY29-11 (2) HYDRAULIC: Y644M (1) BAT644M (1)	1-11/16"
YGA28-N-90	4/0 (.528 DIA.)	2	7,12,19	1.59 [40]	2.39 [62]	1.73 [44]	.69 [18]	PURPLE	15	NEST INDENTOR					B28D (1) A28D (1)	U28D-1 (1)	U28D-1 (1)	U28D-1 (1)		



TYPICAL LETTERING



NOTES:

1. MATERIAL: COPPER
2. BARREL IS PREFILLED WITH PENETROX® "E" AND INDIVIDUALLY SEALED.
3. WHERE A "U" OR "PU" IS RECOMMENDED WITH THE Y45 HYPRESS™, A PT6515 ADAPTER MUST BE USED.
4. WHERE A "U" OR "PU" IS RECOMMENDED WITH THE Y46 HYPRESS™, A PUADP-1 ADAPTER MUST BE USED.
5. DIMENSIONS IN BRACKETS [] ARE IN MILLIMETERS, ROUNDED OFF TO THE NEAREST MILLIMETER, UNLESS OTHERWISE NOTED, AND ARE FOR REFERENCE ONLY.
6. Y35P3 INDENTOR ADAPTOR REQUIRED FOR Y34PR INDENTOR.
7. FOR USE BY CUSTOMERS THAT HAVE THIS HYPRESS™, NO NEW Y34PA HYPRESS™ TOOLS ARE BEING PROCESSED. Y34PA USES A--D NEST DIES ONLY.
8. "X", "W-RT" & "U" DIE SETS ARE COLOR CODED. "A" & "B" DIES ARE NOT COLOR CODED.

TO ORDER BURNDY PRODUCTS CALL 1-800-346-4175
MANCHESTER, NH 03109, USA
FOR PRODUCT INFO = <http://www.fcicomect.com>

HYLUG™, COPPER GROUND

CAT NO: YGA28-N--- (TABLE) SCALE NTS

DRAWN: D.BOISVERT 03/22/02 CHECKED: P.LAPONIUS 3/25/02

DSGN APPVL: B.MACDONALD 05/10/01 MFG APPVL: S.HOLLOWAY 03/11/02

Q.A. APPVL: J.BRODEUR 05/14/01
MKTG APPVL: R.ROBICHEAU 05/08/01
CAD FILE: SD213048-01

MDL REF: N/A

FCI BURNDY PRODUCTS

DRAWING NO. SD213048 REV A

SHEET 1 OF 1

REV.	DATE	DESCRIPTION	ECO	BY	C'K'D.
A	03/22/02	DRAWING RELEASED	6336	DB	PL