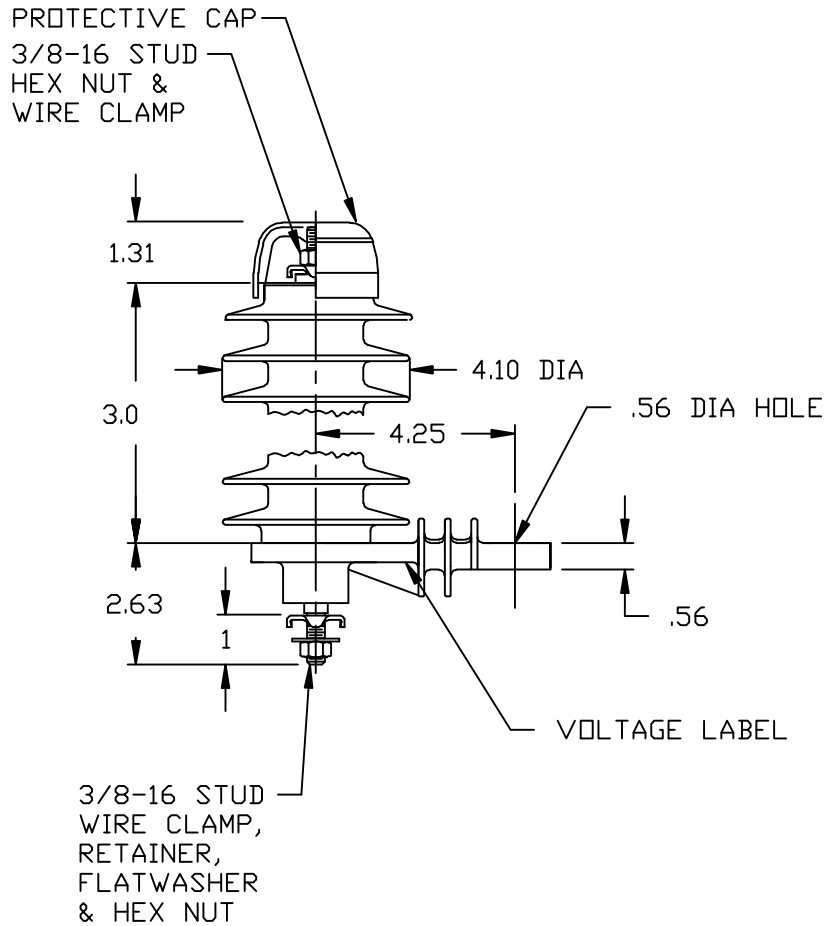



NOTES:

1. DIMENSIONS SUBJECT TO +/- 3% TOLERANCE
2. LEAKAGE DISTANCE (Inches) - 8.5
3. ALTITUDE 0-12000 FT. ABOVE SEA LEVEL
4. WEIGHT OF UNIT INCLUDING HARDWARE - 2.2 LB.
5. MAXIMUM CONTINUOUS LINE-TO-GROUND OPERATING VOLTAGE 2.55 kV MCOV
6. VOLTAGE RATING 3 kV RMS.



.5 μ SEC 10kA IR kV	500 A SWITCHING SURGE IR kV	MAXIMUM 8/20 DISCHARGE VOLTAGE - kV AT				
		1.5 kA	3.0 kA	5 kA	10 kA	20 kA
11.4	7.3	8	8.6	9.1	9.9	11.2

IEEE DISTRIBUTION HEAVY DUTY IEC DISTRIBUTION DH	<p>CONFIDENTIAL: THIS DRAWING AND ITS CONTENTS ARE CONFIDENTIAL AND THE EXCLUSIVE PROPERTY OF HUBBELL POWER SYSTEMS. NO PUBLICATION, DISTRIBUTION OR COPIES MAY BE MADE WITHOUT THE WRITTEN CONSENT OF HUBBELL POWER SYSTEMS. HUBBELL POWER SYSTEMS UNPUBLISHED ALL RIGHTS RESERVED UNDER THE COPYRIGHT LAWS.</p>	 HUBBELL® POWER SYSTEMS			
		TITLE PDV-100 OPTIMA 2.55 KV MCOV			
REV DATE	01/29/18	SIZE	DWG NO.	CAT / PART / ASSY NO.	REV
		S	ALES7XXX	213703-7314	32
DO NOT SCALE THIS DRAWING		DRN BY	ENG	DATE	06/17/00
		SHEET 1		OF 1	