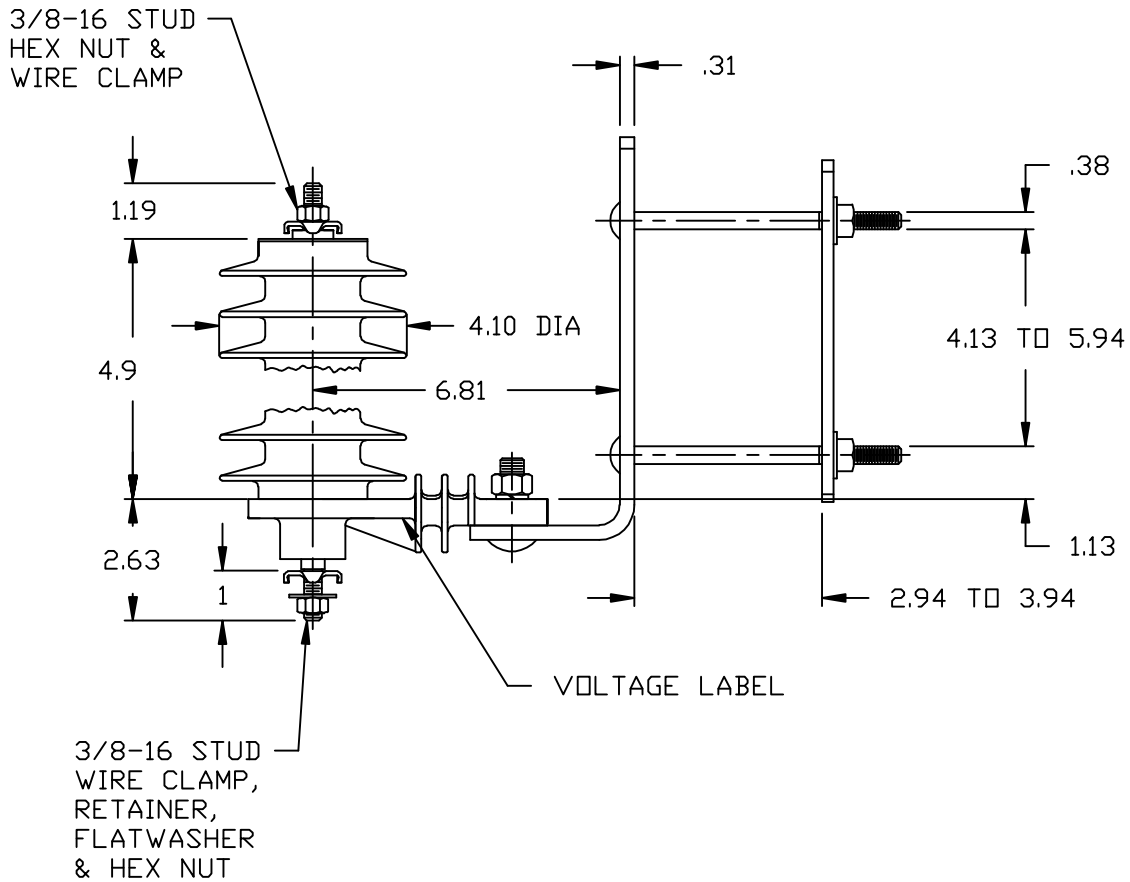



NOTES:

1. DIMENSIONS SUBJECT TO +/- 3% TOLERANCE
2. LEAKAGE DISTANCE (Inches) - 14.4
3. ALTITUDE 0-12000 FT. ABOVE SEA LEVEL
4. WEIGHT OF UNIT INCLUDING HARDWARE - 5.4 LB.
5. MAXIMUM CONTINUOUS LINE-TO-GROUND OPERATING VOLTAGE 8.4 kV MCOV
6. VOLTAGE RATING 10 kV RMS.



.5 μ SEC 10kA IR kV	500 A SWITCHING SURGE IR kV	MAXIMUM 8/20 DISCHARGE VOLTAGE - kV AT				
		1.5 kA	3.0 kA	5 kA	10 kA	20 kA
35.2	23.4	25.6	27.4	29	31.6	35.9

IEEE DISTRIBUTION HEAVY DUTY IEC DISTRIBUTION DH	<p>CONFIDENTIAL: THIS DRAWING AND ITS CONTENTS ARE CONFIDENTIAL AND THE EXCLUSIVE PROPERTY OF HUBBELL POWER SYSTEMS. NO PUBLICATION, DISTRIBUTION OR COPIES MAY BE MADE WITHOUT THE WRITTEN CONSENT OF HUBBELL POWER SYSTEMS. HUBBELL POWER SYSTEMS UNPUBLISHED ALL RIGHTS RESERVED UNDER THE COPYRIGHT LAWS.</p>	 HUBBELL® POWER SYSTEMS		
		TITLE PDV-100 OPTIMA 8.4 KV MCOV		
		SIZE S	DWG NO. ALES7XXX	CAT / PART / ASSY NO. 213709-7224
REV DATE 11/13/17	DO NOT SCALE THIS DRAWING	DRN BY ENG	DATE 06/17/00	SHEET 1 OF 1