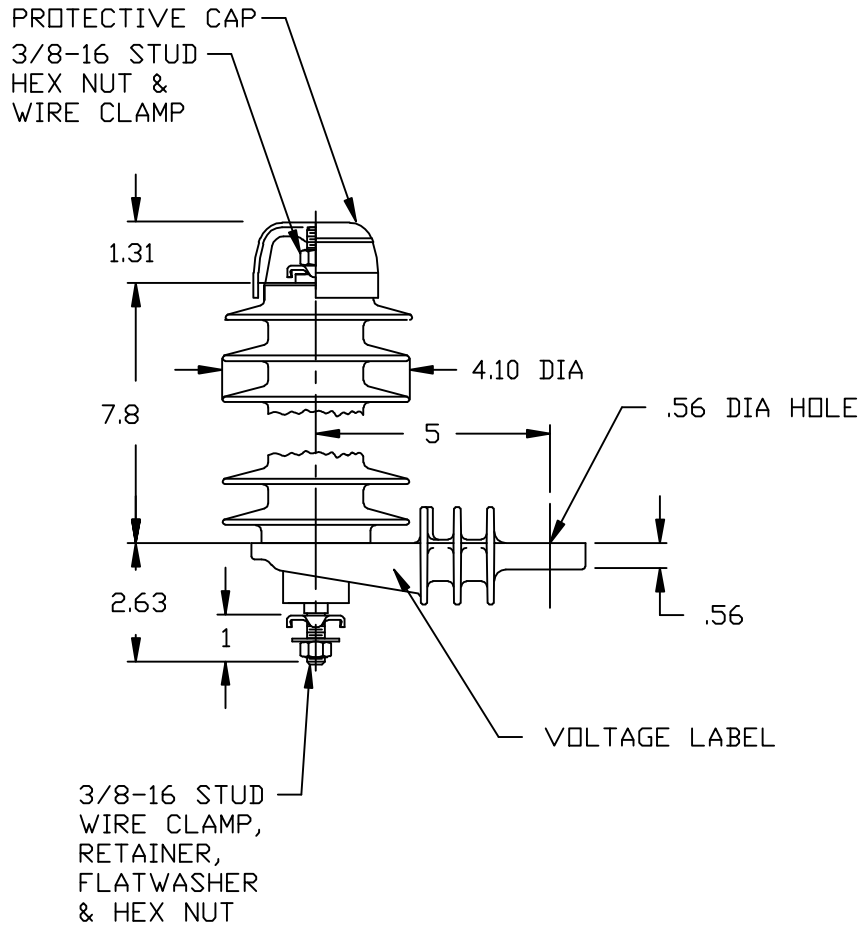



NOTES:

1. DIMENSIONS SUBJECT TO +/- 3% TOLERANCE
2. LEAKAGE DISTANCE (Inches) - 25.2
3. ALTITUDE 0-12000 FT. ABOVE SEA LEVEL
4. WEIGHT OF UNIT INCLUDING HARDWARE - 4.6 LB.
5. MAXIMUM CONTINUOUS LINE-TO-GROUND OPERATING VOLTAGE 12.7 kV MCOV
6. VOLTAGE RATING 15 kV RMS.



.5 μ SEC 10kA IR kV	500 A SWITCHING SURGE IR kV	MAXIMUM 8/20 DISCHARGE VOLTAGE - kV AT				
		1.5 kA	3.0 kA	5 kA	10 kA	20 kA
53.4	35.4	38.7	41.4	43.8	47.8	54.3

IEEE DISTRIBUTION HEAVY DUTY IEC DISTRIBUTION DH	CONFIDENTIAL: THIS DRAWING AND ITS CONTENTS ARE CONFIDENTIAL AND THE EXCLUSIVE PROPERTY OF HUBBELL POWER SYSTEMS. NO PUBLICATION, DISTRIBUTION OR COPIES MAY BE MADE WITHOUT THE WRITTEN CONSENT OF HUBBELL POWER SYSTEMS. HUBBELL POWER SYSTEMS UNPUBLISHED ALL RIGHTS RESERVED UNDER THE COPYRIGHT LAWS.			HUBBELL® POWER SYSTEMS		
		TITLE PDV-100 OPTIMA 12.7 KV MCOV				
REV DATE	07/02/18	SIZE	DWG NO.	CAT / PART / ASSY NO.	REV	
		S	ALES7XXX	213713-7314	32	
DO NOT SCALE THIS DRAWING		DRN BY	NON	DATE	06/17/00	
				SHEET	1 OF 1	