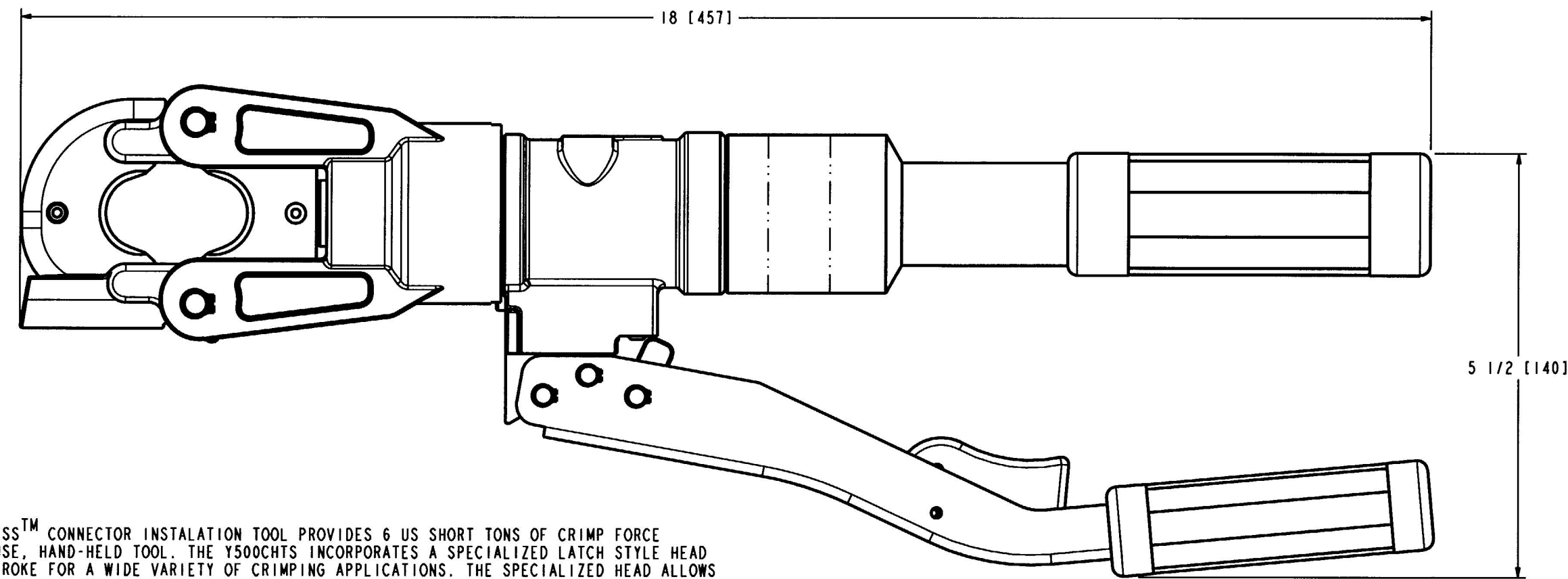


REV.	DATE	DESCRIPTION	ECO	BY	C'H'K.
A	02/07/02	RELEASE NEW DRAWING	7167	TRF	JDL



DESCRIPTION

THE BURNDY® Y500CTHS HYPRESS™ CONNECTOR INSTALLATION TOOL PROVIDES 6 US SHORT TONS OF CRIMP FORCE IN A COMPACT AND EASY TO USE, HAND-HELD TOOL. THE Y500CTHS INCORPORATES A SPECIALIZED LATCH STYLE HEAD WITH A GENEROUS WORKING STROKE FOR A WIDE VARIETY OF CRIMPING APPLICATIONS. THE SPECIALIZED HEAD ALLOWS INTERFERENCE-FREE CLOSURES ON TAP CONNECTORS UP TO THE BURNDY YHD-400 SIZE. THE HEAD IS FITTED ONTO A LIGHTWEIGHT TOOL BODY WITH HANDLES THAT ARE ERGONOMICALLY DESIGNED TO PROVIDE SLIP-FREE GRIP AND EASIER CRIMPING. THE TOOL FEATURES A PATENTED HIGH SPEED RAM ADVANCE MECHANISM THAT MINIMIZES CRIMP CYCLE TIME ALONG WITH AN ERGONOMIC TRIGGER DRAIN MECHANISM THAT ALLOWS THE RAM TO RETURN TO THE PRESET POSITION. THE TOOL ACCOMODATES ALL BURNDY® "X" "W" AND "W-VT" STYLE DIES THAT SEAT IN THE PERMANENT "D3" CRIMPING GROOVE. INSTALLATION APPLICATIONS INCLUDE #6 AWG TO 500 kcmil COPPER LUGS AND SPLICES, #6 AWG TO 4/0 AWG ALUMINUM LUGS AND SPLICES, AND UP TO 4/0 ALUMINUM TAP CONNECTIONS. THE PERMANENT "D3" GROOVE AND 180 DEGREE ROTATABLE HEAD ARE STANDARD ON THE Y500CTHS.

EACH Y500CTHS HYPRESS™ TOOL USES BURNDY® DIES AND OFF THE SHELF CONNECTORS THAT ARE AVAILABLE WORLD-WIDE. YOUR Y500CTHS HYPRESS™ COMES EQUIPPED WITH A DURABLE METAL CARRY CASE TO HOLD THE TOOL AND A MULTITUDE OF DIE SETS. SAFETY OPERATING & MAINTENANCE MANUAL IS ALSO PROVIDED WITH YOUR TOOL.

FEATURES AND BENEFITS

FEATURES	BENEFITS
LIGHTWEIGHT LATCH HEAD DESIGN	PROVIDES ENHANCED CLEARANCE FOR TAP CONNECTORS
180 DEGREE ROTATION	VERSATILE TOOL HEAD ALLOWING USER CRIMP ACCESS INTO TIGHT SPACES
ERGONOMIC HEAD DESIGN	EASIER OPERATION HELPING REDUCE FATIGUE
AUDIBLE PRESSURE "POP OFF" VALVE	INDICATES PROPERLY COMPLETED CRIMP
PERMANENT "D3" CRIMP GROOVE ACCEPTS ALL BURNDY® "W" AND "X" DIES	STANDARD DIE DESIGN WITH PROVEN PERFORMANCE
DURABLE METAL CARRY CASE	PROVIDES SUPERIOR PROTECTION & STORES ALL ACCESSORIES
HIGH SPEED RAM ADVANCE	PROVIDES FASTER CRIMPS
HANDLE TRIGGER DRAIN	CONVENIENT RAM RETRACTION
2 YEAR WARRANTY	CUSTOMER SATISFACTION & TECHNICAL SUPPORT

SPECIFICATIONS - TOOL

OUTPUT FORCE: 6 TONS (5.4 METRIC TONS)
 WEIGHT: 7.8 LBS. (3.5 KG)
 TOTAL STROKES: APPROX. 7 (W/O CONNECTOR)

THE Y500CTHS ACCOMODATES ALL BURNDY® "W" AND "X" DIES. SEE FCI PRODUCTS MASTER CATALOG FOR SPECIFIC CONNECTOR/CONDUCTOR COMBINATIONS.

NOTES:

1. DIMENSIONS IN BRACKETS ARE IN MILLIMETERS, ROUNDED OF TO THE NEAREST MILLIMETER, UNLESS OTHERWISE SPECIFIED. METRIC DIMENSIONS ARE FOR REFERENCE ONLY.
2. REFILL OIL WHEN REQUIRED. SEE TOOL SOMI FOR INSTRUCTIONS.
3. FOR ADDITIONAL INFORMATION, CONTACT TOOL SERVICE CENTER AT 1-800-426-8720.

TO ORDER BURNDY PRODUCTS CALL 1-800-346-4175
 MANCHESTER, NH 03019 USA
<http://www.burndy.com>

Y500CTHS

CAT NO: **Y500CTHS** SCALE: 13:10

DRAWN BY: T. FAUCHER 02/07/02
 CHECKER: J. LEFAVOUR 12/05/01
 DSN APPVL: J. LEFAVOUR 12/06/01
 MFG APPVL: S. GONYAW 12/06/01
 QC APPVL: J. BRODEUR 12/17/01
 MKT APPVL: -- 01/01/01

BURNDY

MODEL FILE: 212508
 DRAWING FILE: 214220
 PROJECT#: 11952 SIZE: **D**
 PROD FAM: TOOLS, HYDRAULIC
 REL LEVEL: RELEASED

DRAWING NO: **SD214220** REV: **A**

SHEET 1 OF 4

REV: PE0200