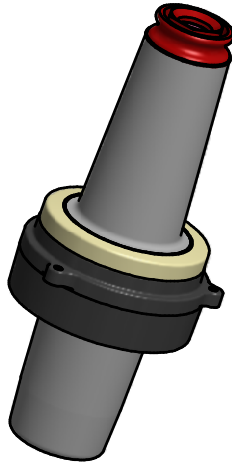


**HUBBELL**  
Power Systems, Inc.

1850 Richmond Ave East  
Aiken, SC 29801  
Phone: 803-648-8386  
[www.Hubbellpowersystems.com](http://www.Hubbellpowersystems.com)

# 15 kV LOADBREAK BUSHING INSERT

Conforms to all Requirements of IEEE Std. 386 - Latest Revision



**Ratings**

Maximum Continuous Voltage.....8.3 kV Phase-to-Ground  
14.4 kV Phase-to-Phase  
Continuous Current.....200 A

**Short-Time Current Ratings**

0.17 Sec. Duration.....10,000 A rms Symmetrical  
3.00 Sec. Duration.....3,500 A rms Symmetrical

**Insulation Withstand Voltages**

Basic Impulse Level.....95 kV Crest (1.2 x 50  $\mu$ Sec. wave)  
60 Hz (60 Sec.).....34 kV rms  
Partial Discharge Extinction Voltage (3 pC).....11 kV rms

**Switching**

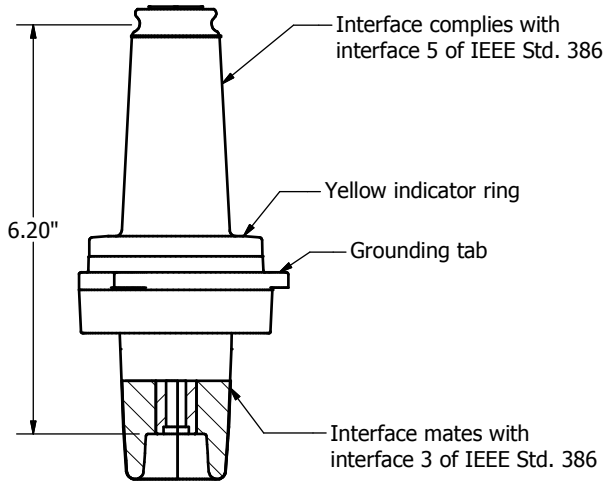
1-Phase & 3-Phase Circuits 8.3 kV Phase-to-Ground, 14.4 kV maximum across the open contacts. 10 make/break operations at 200 A with 0.70-0.80 lagging power factor.

**Fault Closure**

One Fault-Close Operation at max 8.3 kV Phase-to-Ground, or max 14.4 kV Phase-to-Phase; max 10,000 A rms Symmetrical, 10 Cycles (0.17 Sec.).

**Production Tests**

100% factory tested for Partial Discharge and either AC 60 Hz (34 kV for 60 Sec.) or Impulse (BIL) (95 kV 1.2 x 50  $\mu$ Sec. wave).



Part Number for special packaging	Notes
215BIBP	1. Units to be bulk packed in a master bag, 25 units per bag. 2. Do not include instruction sheet or silicone lubricant.
215BICM	1. Units to be bulk packed in a master bag, 25 units per bag. 2. Include a pre-pack of instruction sheet (1) and silicone lubricant (25).
215BIFPC	1. Include customer's part number.
215BITM	1. Include customer's part number.

The Hubbell Loadbreak Bushing Insert with an all copper current carrying construction, is designed for installation on transformers, switches or other equipment having a 200 A bushing well that meets the requirements of IEEE Std. 386, Interface 3. When mated with a comparably rated elbow or other accessory, the bushing insert provides a fully shielded and submersible connection.

HUBBELL POWER SYSTEMS, Inc. POWER SYSTEMS, INC.		TITLE	
		15 kV BUSHING INSERT	
SIZE	DWG NO.	CAT / PART / ASSY NO.	REV
SB		215BI	3
REV DATE	DO NOT SCALE THIS DRAWING	DRN BY BO	DATE 2016/3/7 SHEET 1 OF 1
<small>CONTENTS ARE CONFIDENTIAL AND THE EXCLUSIVE PROPERTY OF HUBBELL POWER SYSTEMS. NO PUBLICATION, DISTRIBUTION OR COPIES MAY BE MADE WITHOUT THE WRITTEN CONSENT OF HUBBELL POWER SYSTEMS. HUBBELL POWER SYSTEMS UNPUBLISHED ALL RIGHTS RESERVED UNDER THE COPYRIGHT LAWS.</small>			