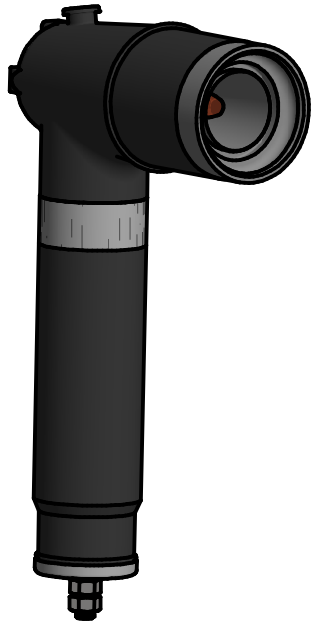


# 15KV CLASS ELBOW ARRESTER

1850 Richmond Ave East  
Aiken, SC 29801  
Phone: 803-648-8386  
[www.Hubbellpowersystems.com](http://www.Hubbellpowersystems.com)



**Insulation Withstand Voltages**

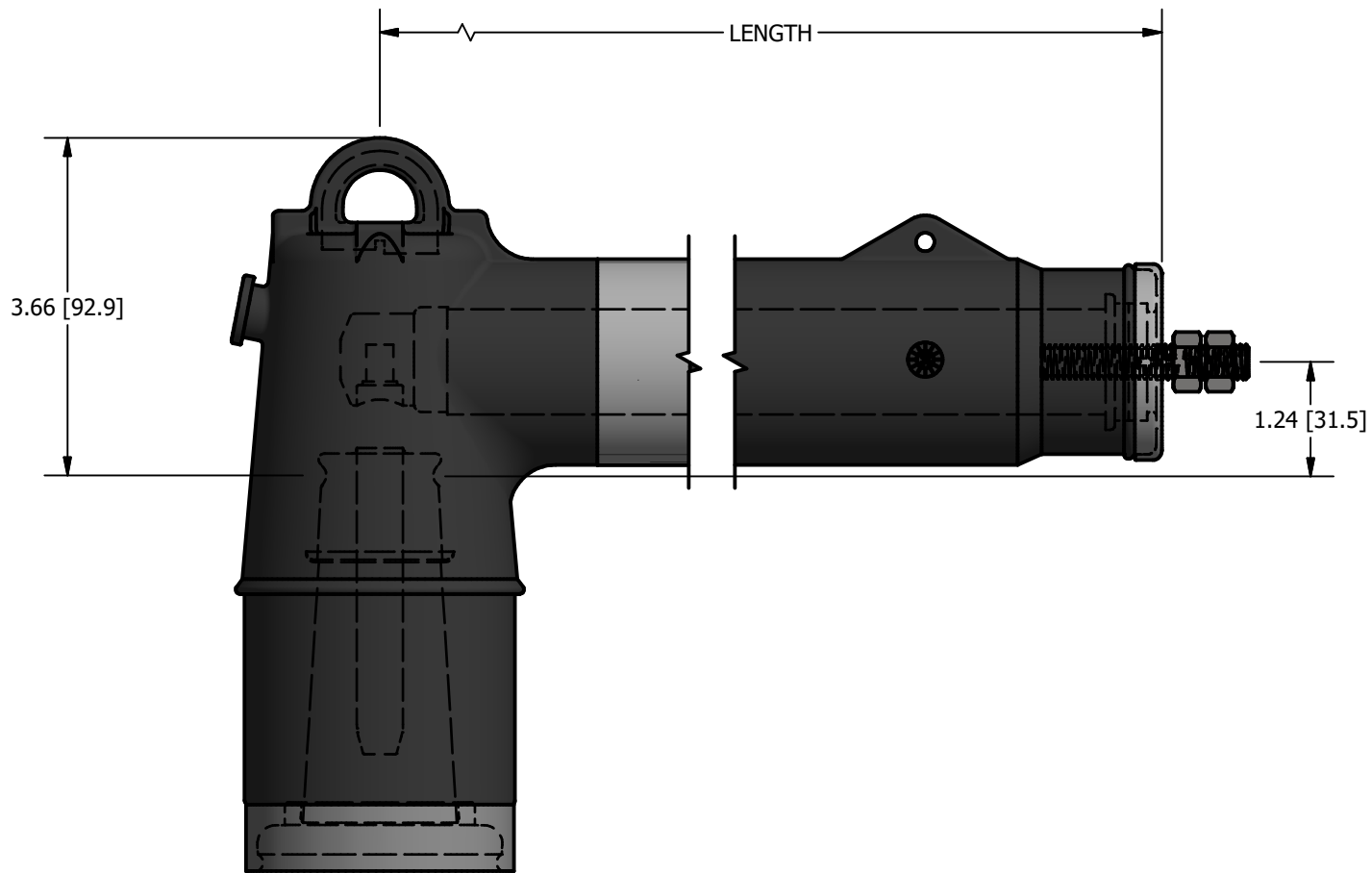
Basic Impulse Level.....95 kV Crest (1.2 x 50 μSec. wave)  
60 Hz (60 Sec.).....34 kV rms  
Partial Discharge Extinction Voltage (5 pC).....11 kV rms

**Deadfront Arrester Failure Mode Test**


Hubbell Elbow Arresters meet the requirements of IEEE Std. C62.11 Clause 8.17

**Production Tests**

100% factory tested for Partial Discharge



| Catalog # | Duty Cycle (kV) | MCOV (kv) | 0.5 μsec. 5kA Max IR-kV | Maximum Discharge Voltage (kV Crest)<br>8x20 μsec. Current Wave |        |        |         |         |         | Length (In) |
|-----------|-----------------|-----------|-------------------------|---|--------|--------|---------|---------|---------|-------------|
|           |                 |           |                         | @ 1.5 kA  | @ 3 kA | @ 5 kA | @ 10 kA | @ 20 kA | @ 40 kA |             |
| 215ELA03  | 3               | 2.6       | 10.5                    | 8.1   | 8.7    | 9.2    | 10.4    | 12      | 15      | 6.6         |
| 215ELA06  | 6               | 5.1       | 20.7                    | 16.6  | 17.3   | 18.5   | 20.8    | 24      | 30      | 6.6         |
| 215ELA09  | 9               | 7.7       | 30.0                    | 23.6  | 25.1   | 26.8   | 30.2    | 34.9    | 43.6    | 6.6         |
| 215ELA10  | 10              | 8.4       | 33.3                    | 26.3  | 28     | 29.8   | 33.6    | 38.8    | 48.5    | 6.6         |
| 215ELA12  | 12              | 10.2      | 39.8                    | 31.5  | 33.5   | 35.7   | 40.2    | 46.5    | 58.1    | 6.6         |
| 215ELA15  | 15              | 12.7      | 50.6                    | 39.9  | 42.5   | 45.3   | 51      | 58.9    | 73.7    | 10.2        |
| 215ELA18  | 18              | 15.3      | 59.7                    | 47.2  | 50.3   | 53.6   | 60.3    | 69.7    | 87.1    | 10.2        |

|                               |  |  |            |   |              |                                    |  |  |  |
|-------------------------------|--|--|------------|---|--------------|------------------------------------|--|--|--|
| <p>REV DATE<br/>8/19/2021</p> |  | <p>CONTENTS ARE CONFIDENTIAL AND THE EXCLUSIVE PROPERTY OF HUBBELL POWER SYSTEMS. NO PUBLICATION, DISTRIBUTION OR COPIES MAY BE MADE WITHOUT THE WRITTEN CONSENT OF HUBBELL POWER SYSTEMS. HUBBELL POWER SYSTEMS UNPUBLISHED ALL RIGHTS RESERVED UNDER THE COPYRIGHT LAWS.</p> |            |  |              | <p>HUBBELL POWER SYSTEMS, Inc.</p> |  |  |  |
|                               |  |  |            | <p>TITLE<br/><b>15KV CLASS ELBOW ARRESTER</b></p>                                     |              |                                    |  |  |  |
|                               |  | SIZE   | DWG NO.    | CAT / PART / ASSY NO.   |              | REV                                |  |  |  |
|                               |  | SB   | 030843-00  | 215ELA  |              | 1                                  |  |  |  |
|                               |  | DO NOT SCALE THIS DRAWING  | DRN BY BVB | DATE 4/13/2021  | SHEET 1 OF 1 |                                    |  |  |  |