

# 15 kV LOADBREAK FUSED ELBOW

Conforms to all Applicable Requirements of IEEE Std. 386  
Latest Revision

**Ratings**

Maximum Continuous Voltage.....8.3 kV Phase-to-Ground  
14.4 kV Phase-to-Phase  
Continuous Current.....200 A  
Maximum Applicable Fuse.....40 A

**Insulation Withstand Voltages**

Basic Impulse Level.....95 kV Crest (1.2 x 50 μSec. wave)  
60 Hz (60 Sec.).....34 kV rms  
Partial Discharge Extinction Voltage (5 pC).....11 kV rms

**Production Tests**

100% factory tested for Partial Discharge and either AC 60 Hz (34 kV for 60 Sec.) or Impulse (BIL) (95 kV 1.2 x 50 μSec. wave).  
Test Point Verification Performed.

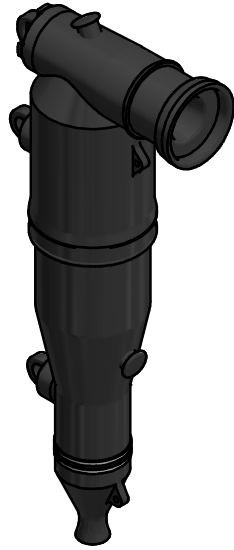


TABLE 1

Size	Insulation Range (in.)	Insulation Range (mm.)
A	0.61 - 0.82	15.5 - 20.9
B	0.72 - 0.99	18.3 - 25.0
C	0.92 - 1.19	23.4 - 30.1

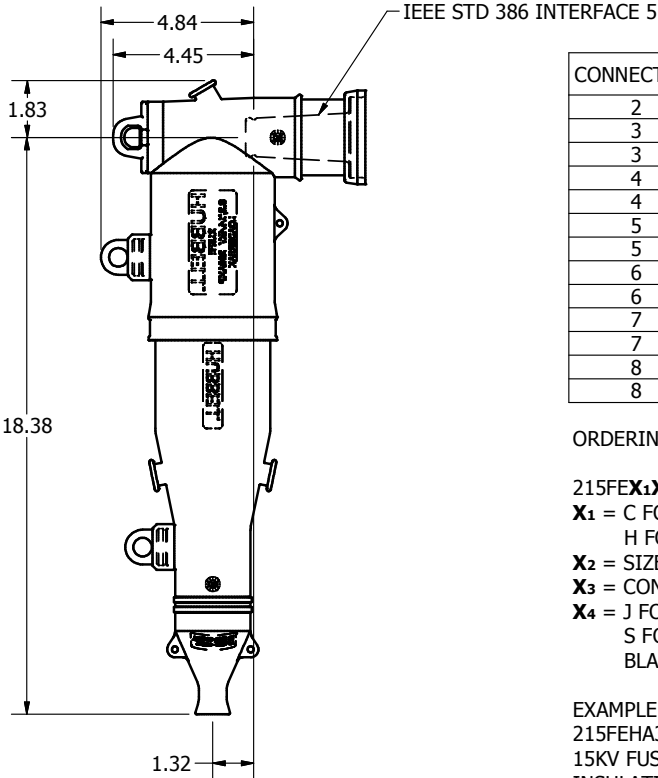


TABLE 2

CONNECTOR	CONDUCTOR	STRANDING
2	#2	COMPACT & SOLID
3	#2	STRANDED & COMPRESSED
3	#1	COMPACT & SOLID
4	#1	STRANDED & COMPRESSED
4	1/0	COMPACT & SOLID
5	1/0	STRANDED & COMPRESSED
5	2/0	COMPACT & SOLID
6	2/0	STRANDED & COMPRESSED
6	3/0	COMPACT & SOLID
7	3/0	STRANDED & COMPRESSED
7	4/0	COMPACT & SOLID
8	4/0	STRANDED & COMPRESSED
8	250	COMPACT

**ORDERING INFORMATION:**

215FEX<sub>1</sub>X<sub>2</sub>X<sub>3</sub>X<sub>4</sub>

- X<sub>1</sub> = C FOR COOPER™ FUSE  
H FOR HI-TECH® FUSE
- X<sub>2</sub> = SIZE (SEE TABLE 1)
- X<sub>3</sub> = CONNECTOR (SEE TABLE 2)
- X<sub>4</sub> = J FOR SEAL KIT  
S FOR SHIELD ADAPTOR  
BLANK FOR NEITHER

EXAMPLE  
215FEHA3J  
15KV FUSED ELBOW FOR HI-TECH FUSE,  
INSULATION RANGE .61"-.82"  
CONNECTOR SIZE 3 WITH A SEAL KIT

The Hubbell 15kV Class Fused Loadbreak Elbow combines a loadbreak elbow with full range current-limiting fuse protection. The Hubbell Fused Elbow provides a quick and cost effective solution for adding fused reliability to underground distribution systems. When mated with a comparable loadbreak bushing, or other devices with an interface that conforms to IEEE Std. 386 Interface 5, the Hubbell Fused Elbow provides a fully shielded and submersible connection.

CONTENTS ARE CONFIDENTIAL AND THE EXCLUSIVE PROPERTY OF HUBBELL POWER SYSTEMS. NO PUBLICATION, DISTRIBUTION OR COPIES MAY BE MADE WITHOUT THE WRITTEN CONSENT OF HUBBELL POWER SYSTEMS. HUBBELL POWER SYSTEMS UNPUBLISHED ALL RIGHTS RESERVED UNDER THE COPYRIGHT LAWS.	HUBBELL POWER SYSTEMS, Inc.			
	TITLE <b>15 kV FUSED ELBOW</b>			
REV DATE	SIZE	DWG NO.	CAT / PART / ASSY NO.	REV
06/05/17	SB	---	215FE	1
DO NOT SCALE THIS DRAWING		DRN BY BvB	DATE 05/18/17	SHEET 1 OF 1